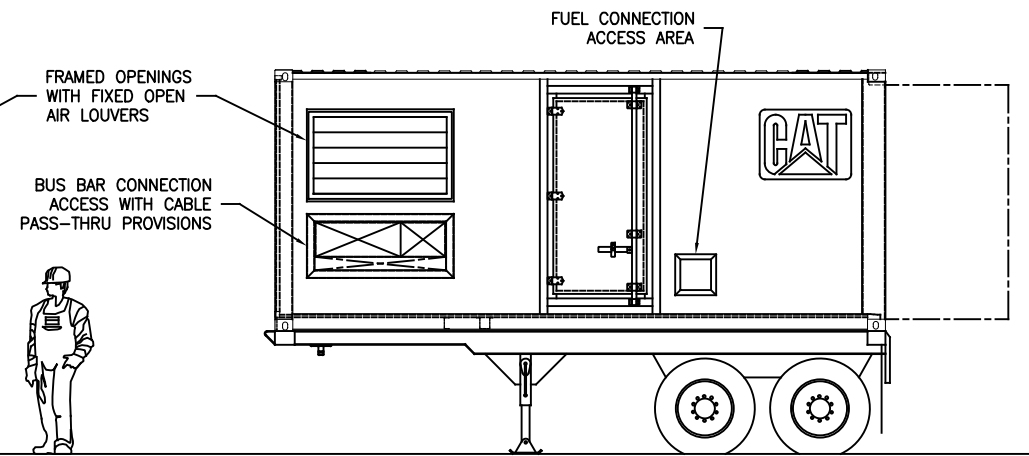
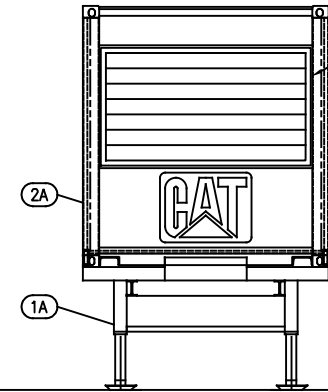
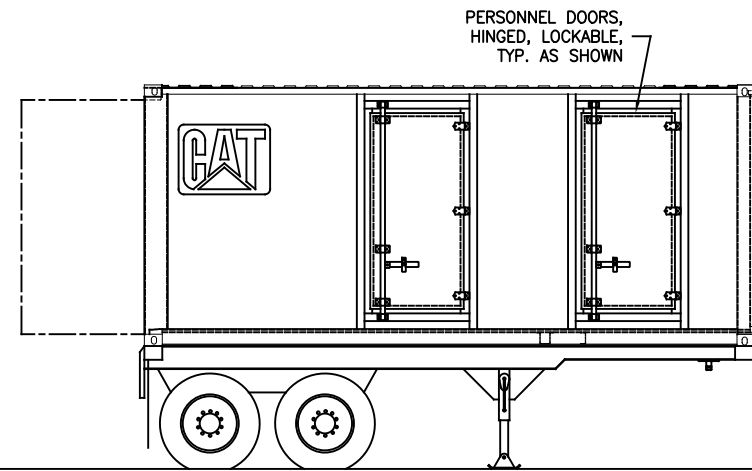
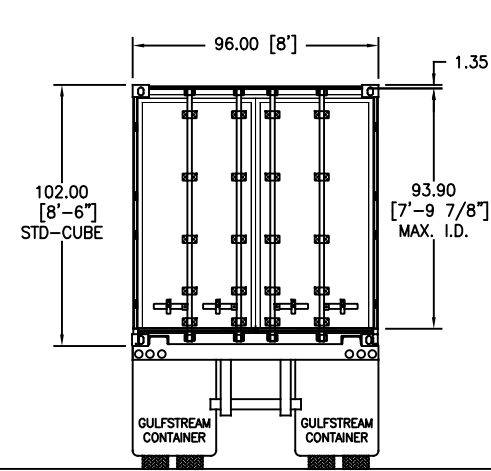
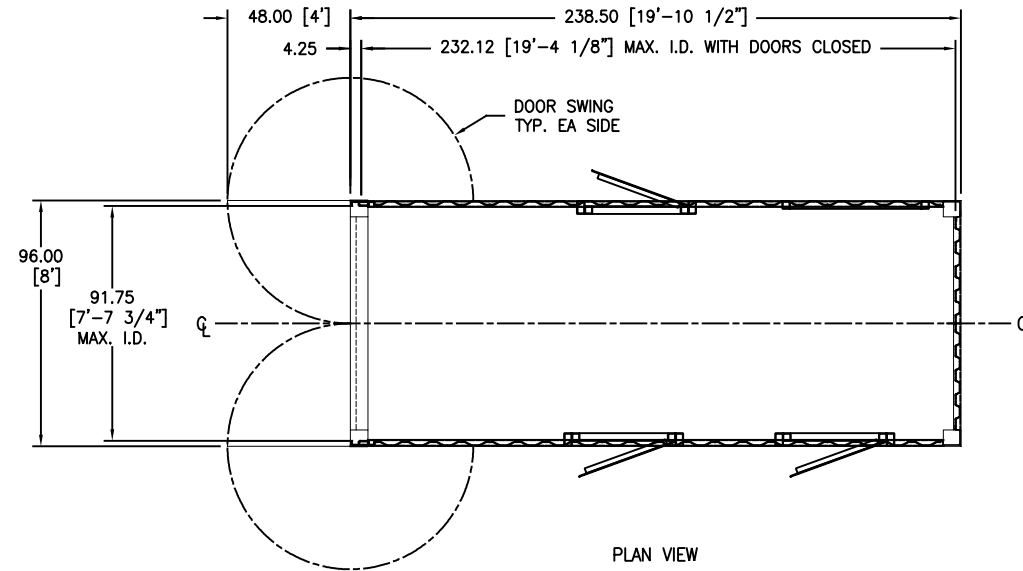


GAC1ECC001

COMP	QTY	DESCRIPTION	PART NUMBER
1A	1	ISO CHASSIS, 20 FT	
2A	1	ISO CONTAINER, 8x20 FT STD	HSICTH0001-[X]
		- [-N], NEW, ONE TRIP, GRADE A, NEED FOR MINOR REPAIRS OK	



- NOTES-
1. ALL CONTAINERS USED IN POWER GENERATION AND/OR WATER TREATMENT PROJECTS ARE ONE-TRIPPERS.
  2. ALL WELDING TO BE PER AWS AND BEST PRACTICES.
  3. MODIFIED CONTAINER MUST COMPLY WITH ORIGINAL ISO LIFTING, HANDLING, STACKING AND ANCHORING PROVISIONS.
  4. APPROX. DRY WGT OF PACKAGE AS SHOWN - \_\_\_\_\_ LBS.

TITLE		GULFSTREAM CONTAINER	
MOBILE GENSET POWER PACKAGE CAT C-15 XQ500, 20 FT STD CONTAINER, CHASSIS		Miami, FL, 33166 USA P305.525.5611 www.gulfstreamcontainer.com	
DR.	WSI	DATE	24APR22
CHK		DATE	
DRAWING NO. GAC1ECC001		SHT OF SHIT(S) 1/1	
REV	DATE	BY	DESCRIPTION