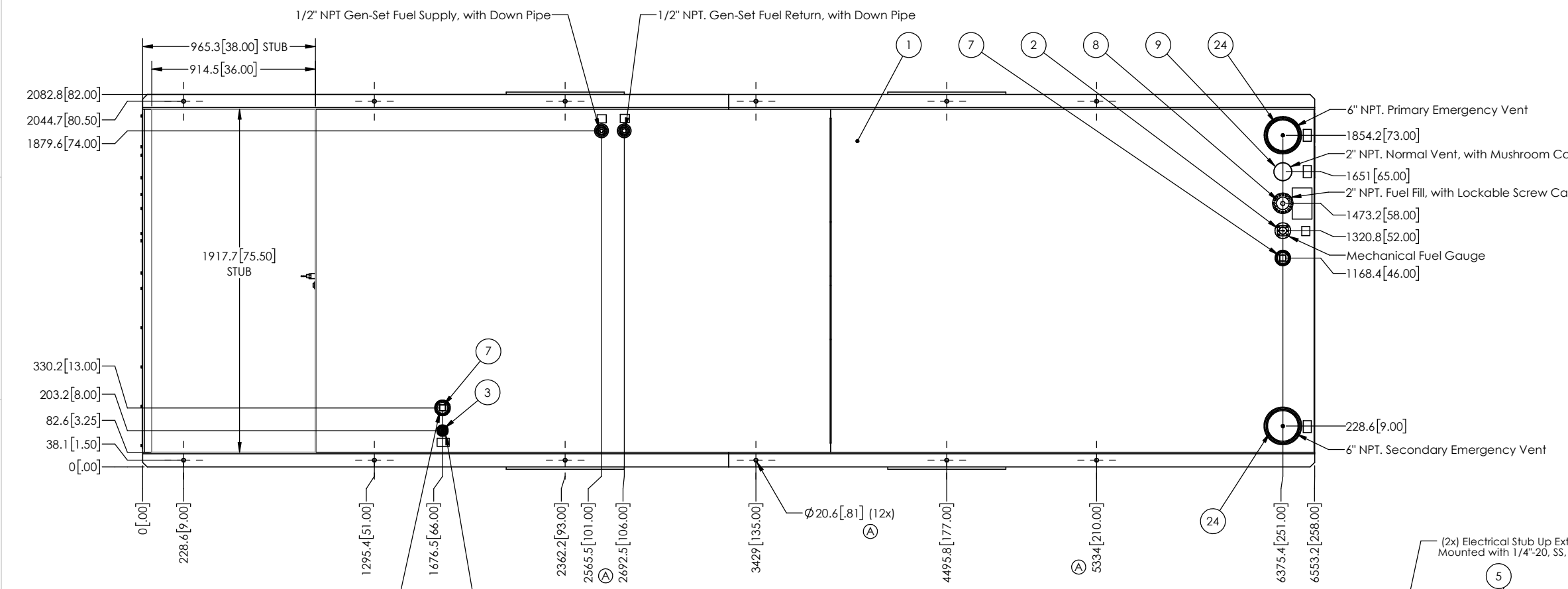


STANDARD TOLERANCES				
MM	X ±3	.X ±1.5	.XX ±.40	.XXX ±.130
INCH	.X ±.12	.XX ±.06	.XXX ±.015	.XXXX ±.0050



ITEM NO.	PART NAME	DESCRIPTION	QTY.
1	1388_S1 Weldment	UL142 Certified Fuel Tank, 1570 Usable Gallons	1
2	1388_G1	Mechanical Fuel Gauge	1
3	1388_L1	Low Level Switch 50%	1
4	880.15000.0003	Rupture Basin	1
5	1388_S1-A	11 GA (3.00mm) HRS, Electrical Stub Up Panel	2
6	1388_S14-A	1/2" NPT. Fuel Supply & Return	2
7	857052	Pipe Plug, SQ. HD. 2" NPT 2560	2
8	874372	Fuel Fill, Screw On Cap	1
9	874008	Vent, 2" NPT, Mushroom Head	1
10	8742476	6" X 6" Wood Block	8
11	8742394-C	4" X 4" Wood Block	2
12	850308	Label, Warning, Lifting Instructions	2
13	850309	Label, Warning, Fuel Fill, No OFFV	1
14	850310	Label, Warning, Structural Capacities	1
15	850358	Label, Hennig Data Plate, ULC S601-07	1
16	850371	Label, ULC Serial NO.	1
17	850373	Label, Warning, California Chemical	1
19	850486	Label, Vent Warning-Electric	3
24	874068	Emergency Vent, 6" NPT	2

APPROVAL DRAWING

SENT FROM HENNIG ENCLOSURES ON 11/17/2020

CUSTOMER PO NUMBER 3019436

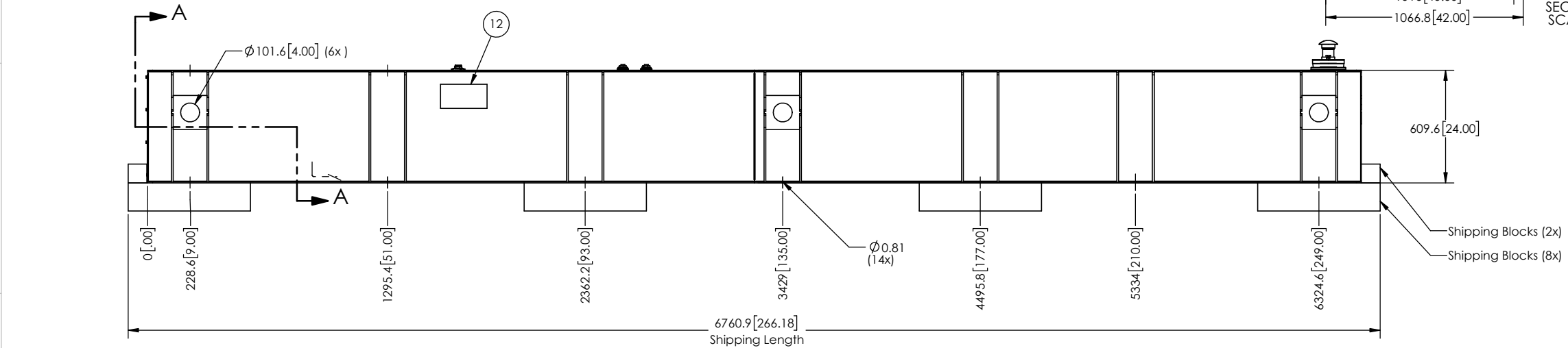
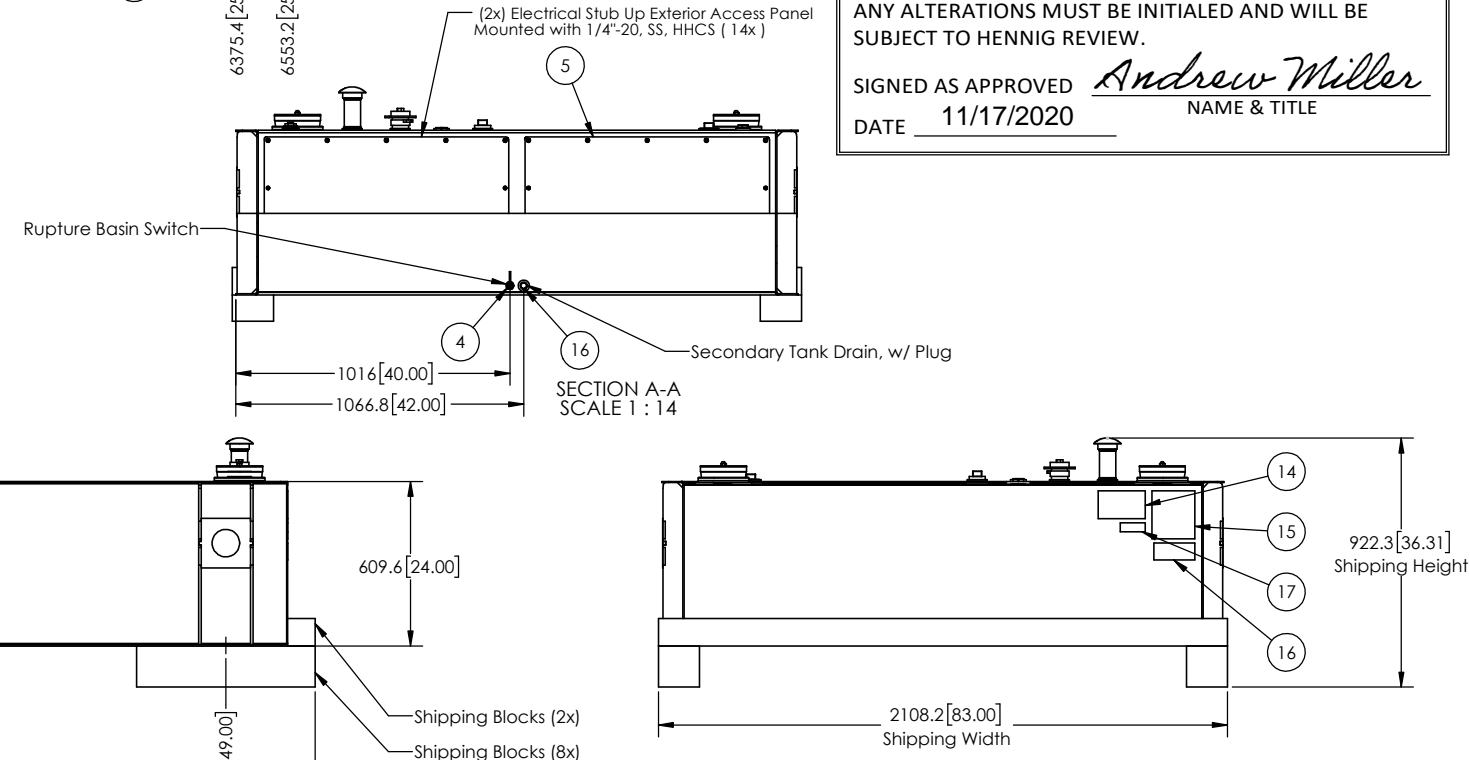
HENNIG S/O NUMBER 0196426

NOTICE

MANUFACTURE OF THE ITEMS SHOWN IN THIS DRAWING CANNOT START UNTIL THIS DRAWING IS RECEIVED AT HENNIG WITH CUSTOMER APPROVAL. ANY ALTERATIONS MUST BE INITIALED AND WILL BE SUBJECT TO HENNIG REVIEW.

SIGNED AS APPROVED *Andrew Miller*
NAME & TITLE

DATE 11/17/2020



REVISIONS			
REV.	DESCRIPTION	DATE	COMPLETED BY
A	MOVED FUEL SUPPLY/RETURN 19", ADDED TWO MOUNTING HOLES AT 210"	11/17/2020	SDC

RUPTURE BASIN SWITCH SHALL CLOSE ON RISE
LOW LEVEL SWITCH SHALL OPEN ON RISE

- NOTES:**
- TANK WILL BE PRIMED & POWDER COATED BLACK MATTE TEXTURED FINISH.
 - LIFT LUG CAPACITY : 8,000 LB EA.
 - TANK CERTIFICATION FOR UL142 AND ULC-S601
 - WEIGHT: 4,721 LBS.
 - INTERIOR OF TANK FOGGED W/ OIL FOR RUST PREVENTION
 - TANK CAPACITY: 1,388 USABLE GAL. (NOMINAL) {1,498 GAL. TOTAL}

IIII HENNIG
Perfect machine protection

THE DESIGN REFLECTED ON THIS DRAWING WAS ORIGINATED BY AND IS EXCLUSIVE PROPERTY OF HENNIG INCORPORATED. IT IS FURNISHED FOR INFORMATION PURPOSES TO HENNIG CUSTOMERS ONLY AND MAY NOT BE DUPLICATED, OR COPIED IN ANY WAY, NOR MAY ANY OF THE INFORMATION CONTAINED HEREIN BE PASSED ON TO UNAUTHORIZED PERSONS WITHOUT THE APPROVAL OF HENNIG INCORPORATED.

Hennig Enclosure Systems
MACHESNEY PARK, ILLINOIS
www.hennigenclosuresystems.com

ALL DIMENSIONS ARE IN MM [INCHES] - UNLESS OTHERWISE SPECIFIED	DO NOT SCALE THE DRAWING
Drawn By: SDC	Date: 11/17/20
Checked By: CG	Date: 11/17/20
Customer: GILLETTE	Drawing No.: GIL-S-1388