



OC 30 kW Generator Rental Package 60Hz

Voltage	Standby kW / kVA	Prime kW / kVA
120 / 208 V	30 kW / 37.5 kVA	27 kW / 33.8 kVA
277 / 480 V	30 kW / 37.5 kVA	27 kW / 33.8 kVA
120 / 240 V	20 kW / 25 kVA	18 kW / 22.5 kVA

FEATURES

SOUND ATTENUATED ENCLOSURE

- Fully weatherproof aluminum enclosure highly corrosion resistant construction
 - Suitable for continuous outdoor use/exposure
- Excellent access for maintenance
 - Two large doors on each side
 - Lube oil and cooling water drains piped to exterior of the enclosure
- Security and safety
 - Lockable control panel with viewing window
 - Fuel and Battery can only be reached through lockable access doors
 - Readily accessible E-Stop
 - Fully guarded cooling fan
- Transportability
 - Tested and certified single point lifting eye
 - Fork pocket base for safe/easy handling
 - Pintle Hitch for Towing

ENGINE

- Perkins Tier 2 Engine
- Heavy Duty, 4-cylinder, 2.2 Liter, turbocharged, liquid cooled, 1800 RPM diesel engine for maximum reliability
- Fuel efficient
- Mechanical fuel system and governor control maintains frequency from no load to full load

INSTRUMENT PANEL

- DynaGen Controller
 - Displays AC Amps, AC Volts, Watts & Frequency
 - Engine parameters such as: Battery Level and Hour Run
 - RUN/OFF push buttons for the engine control
 - Automatic shut-off for Low Oil Pressure, Overspeed, and High Coolant Temperature
- Voltage Selector Switch (located inside enclosure)
Voltage Switchable from 277/480V 3-phase, 139/240V 3-phase, (adjustable to 120/208V 3-Phase), 120/240V single phase

DISTRIBUTION PANEL

- CB1 - 100 Amp 3 pole Breaker
 - With current limiting shunt trip for operation at different voltages. Shunt trip controlled through Dynagen for selected voltage
 - 5 lug connections direct from the 100 Amp Breaker, with Ground, and Neutral, phase connection
- CB2 – 20 Amp 3 pole Breaker– 3 and Single phase
QBS Receptacle 120/208V 3-Phase 4 pole, 5 wire 20A
- CB3 - 50 Amp 2 pole Breaker
California Style Receptacle: Single Phase 120/240V 3 Pole, 4Wire, 50A
- CB4 and CB5 20 Amp Single pole Breakers
120V, Ground Fault Circuit Interrupted duplex outlets

OC 30 kW Generator 60 Hz



Generator Set Technical Data- 1800 rpm/60Hz	Standby	Prime
Power Rating	30kW 37.5kVA	27kW 33.8kVA
Lubricating System Type: Full Pressure Oil Filter: Spin On, Full Flow	10 quarts	10 quarts
Fuel System Generator Set Fuel Consumption 100% Load Fuel Tank Capacity	2.75 gallons/hour 50 gallons	2.75 gallons/hour 50 gallons
Running Time @ 100%	18	18
75%	27	27
50%	36	36
Cooling System Radiator System Capacity Including Engine	3.43 gallons	3.43 gallons
Air Requirements Combustion Air Flow Maximum Air Cleaner Restriction	131 cfm H2O-25.6 inches	131 cfm H2O-25.6 inches
Exhaust System Exhaust Flow at Rated kW Exhaust Temperature at Rated kW	384 cfm 1049 °F	384 cfm 1049 °F
Generator Set Noise Rating (with enclosure at 7 meters)	86.5 dBA	86.5 dBA

SPECIFICATIONS

GENERATOR

Voltage Regulation..... ±1.0% at steady state from
no load to full load

Frequency Regulation..... ± 0.25% for contact load from
no load to 100% load

Waveform distortion..... THD<4%

Radio Interface..... Compliance with EN55011

Telephone Interface..... <2%

Overspeed Limit..... 2250rpm

Insulation..... Class H

Temperature Rise..... Within Class H Limits

Available Voltages..... 3-phase voltage output:
480/277, 208/120
Single phase voltage output:
120/240

Deration..... Consult Factory for available outputs

Ratings..... At 30°C (86 °F), 152.4m (500ft),
60% humidity, 0.8pf

ENGINE

Manufacturer.....Perkins

Model.....404C-22T

Type.....4-Cycle

Aspiration.....Turbocharged

Cylinder Configuration.....In-line 4

Displacement - L(cu in).....2.2(134)

Bore- mm(in).....84 (3.3)

Stroke- mm(in).....100 (3.9)

Compression Ratio.....23.3:1

Governor
Type.....Fully Electronic

Class.....ISO 8528-5 G2

Piston Speed - m/sec (ft/sec).....7.62 (25.0)

Engine Speed - rpm.....1800

Maximun Power at rated rpm kW (HP)

Standby.....33.3 (45)

Prime.....30 (40)

Consult your Ohio CAT representative for more details.

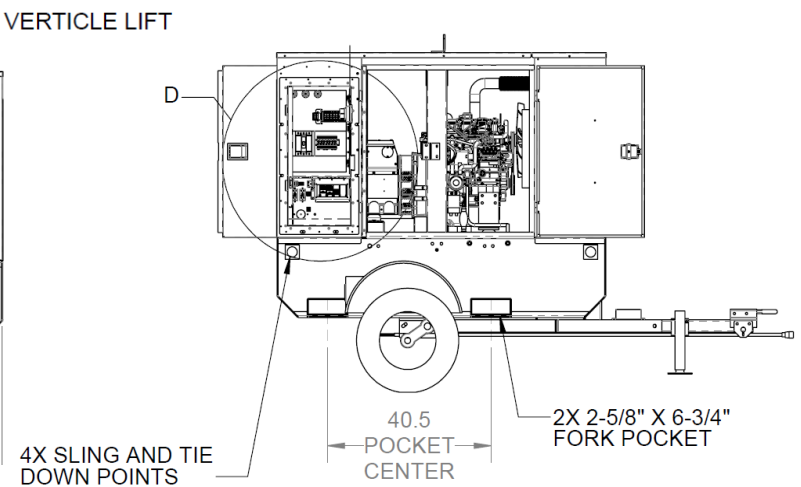
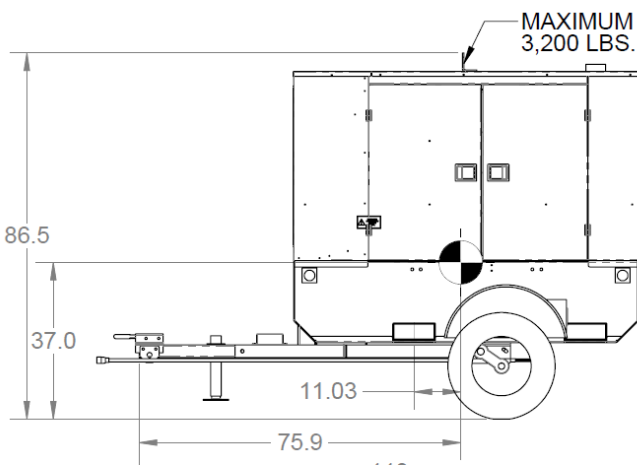
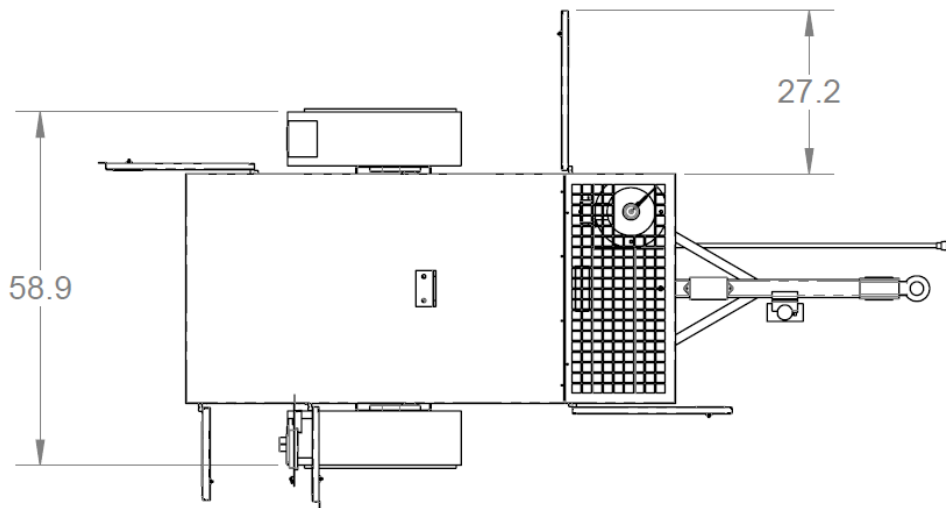
©2015 Ohio CAT
All rights reserved.
Materials and specifications are subject to change without notice.

OC 30 kW Generator 60 Hz



Weight and Dimensions

Model	Length (in)	Width (in)	Height (in)	Weight	
				With Lube Oil and Coolant	With Fuel Lube Oil and Coolant
OC30KW	81.6	39.4	68.4	2250	2610
OC30KW w/Trailer	118	58.9	86.5	2600	2960



Consult your Ohio CAT representative for more details.

©2015 Ohio CAT
All rights reserved.
Materials and specifications are subject to change without notice.