



DCA45USI4CAN

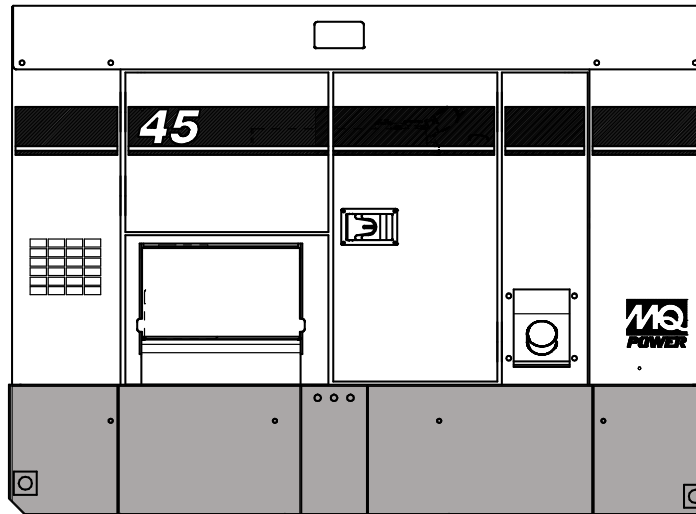
MQ POWER Series Generator

WhisperWatt™

Prime Rating — 36 kW (45 kVA)

Standby Rating — 40 kW (50 kVA)

Three-Phase, 60 Hertz, 0.8 PF



STANDARD FEATURES

- Heavy duty, 4-cycle, direct injection, diesel engine provides maximum reliability.
- Brushless alternator reduces service and maintenance requirements and meets temperature rise standards for Class H insulation systems.
- Open delta excitation design provides virtually unlimited excitation for maximum motor starting capability.
- Automatic voltage regulator (AVR) provides precise regulation.
- Electronic Governor Control (Crystal Sync) — maintains frequency to within $\pm 0.25\%$ from no load to full load.
- Full load acceptance of standby nameplate rating in one step (NFPA 110, para 5-13.2.6).
- Sound attenuated, weather resistant, steel housing provides operation at 58 dB(A) at 23 feet. Fully lockable enclosure allows safe unattended operation.
- Internal steel fuel tank with direct reading of fuel gauge.
- E-coat and powder coat paint provide durability and weather protection.
- Fuel/water separator removes condensation from fuel for extended engine life. Panel mounted alarm light included.
- Complete engine analog instrumentation includes DC ammeter, oil pressure gauge, water temp. gauge, fuel level gauge, tachometer/hour meter, preheat indicator, emergency shutdown monitors.
- Automatic start/stop control — automatically starts the generator set during a commercial power failure when used in conjunction with a transfer switch.
- Complete generator analog instrumentation includes voltage regulator control, ammeter phase selector switch, voltmeter phase selector switch, AC voltmeter, AC ammeter, frequency meter, panel light, and circuit breaker.
- Automatic safety shutdown system monitors the water temperature, engine oil pressure, overspeed and overcrank. Warning lights indicate abnormal conditions.
- Complete power panel. Fully covered; three-phase terminals and single phase receptacles allow fast and convenient hookup for most applications including temporary power boxes, tools and lighting equipment. The GFCI receptacles are NEMA 5-20, and the auxiliary outputs use CS6369 twist-lock receptacles.
- Simultaneous single and three phase power.
- Voltage selector switch offers the operator a wide range of voltages that are manually selectable. Fine tuning of the output voltage can be accomplished by adjusting the voltage regulator control knob to obtain the desired voltage.
- Interim Tier 4 emissions compliant.
- External Fuel Fill.
- Cold Weather Kit to maintain optimal temperature.
- Water Heater for easy starting in cold weather climates.
- CSA listed.



DCA45USI4CAN

MQ POWER Series Generator

SPECIFICATIONS

| Generator Specifications | | |
|---|---|---------|
| Design | Revolving field, self-ventilated Drip-proof, single bearing | |
| Armature Connection | Star with Neutral | Zig Zag |
| Phase | 3 | Single |
| Standby Output | 40 KW (50 KVA) | 27.6 KW |
| Prime Output | 36 KW (45 KVA) | 26 KW |
| 3Ø Voltage (L-L/L-N) Voltage Selector Switch at 3Ø 240/139 | 208Y/120, 220Y/127, 240Y/139 | N/A |
| 3Ø Voltage (L-L/L-N) Voltage Selector Switch at 3Ø 480/277 | 416Y/240, 440Y/254, 480Y/277 | N/A |
| 1Ø Voltage (L-L/L-N) (Voltage Selector Switch at 1Ø 240/120) | N/A | 240/120 |
| Power Factor | 0.8 | 1.0 |
| Voltage Regulation (No load to full load) | ±0.5% | |
| Generator RPM | 1800 | |
| Frequency | 60 Hz | |
| No. of Poles | 4 | |
| Excitation | Brushless with AVR | |
| Frequency | 60 Hz | |
| Frequency Regulation: No Load to Full Load | Isochronous under varying loads from no load to 100% rated load | |
| Frequency Regulation: Steady State | ±0.25% of mean value for constant loads from no load to full load. | |
| Insulation | Class H | |
| Sound Level dB(A) Full load at 23 feet | 58 | |

| Engine Specifications | |
|---------------------------|--|
| Make / Model | Isuzu / BU-4JJ1T |
| Emissions | Interim Tier 4 Certified |
| Starting System | Electric |
| Design | 4-cycle, water cooled, direct injection, turbocharged |
| Displacement | 183.0 in ³ (2999 cc) |
| No. cylinders | 4 |
| Bore x Stroke (mm) | 95.4 x 104.9 |
| Gross Engine Power Output | 67.1 bhp (50 kW) |
| BMEP | 136 psi (940 kPa) |
| Piston Speed | 1237 ft./min. (6.29 m/s) |
| Compression Ratio | 17.5:1 |
| Engine Speed | 1800 rpm |
| Overspeed Limit | 2100 rpm |
| Oil Capacity | 3.96 gallons (15 liters) |
| Battery | 12V 72Ah x 1 |

| Fuel System | | |
|--------------------------------|---------------------------|------------|
| Recommended Fuel | ASTM-D975-No.1 & No.2-D | |
| Maximum Fuel Flow (per hour) | 16 gallons (61 liters) | |
| Maximum Inlet Restriction (Hg) | 5.9 in. (150 mm) | |
| Fuel Tank Capacity | 79.2 gallons (300 liters) | |
| Fuel Consumption | gph | lph |
| At full load | 2.7 | 10.4 |
| At 3/4 load | 2.1 | 8.0 |
| At 1/2 load | 1.5 | 5.6 |
| At 1/4 load | 0.9 | 3.4 |

| Cooling System | |
|--|----------------------------|
| Fan Load | 0.54 hp (0.7 kW) |
| Coolant Capacity (with radiator) | 3.15 gallons (12 liters) |
| Coolant Flow Rate (per minute) | 15.4 gallons (58.5 liters) |
| Heat Rejection to Coolant (per minute) | 1640 Btu (1.73 MJ) |
| Heat Rejection to Room (per minute) | 379 Btu (0.40 MJ) |
| Maximum Coolant Friction Head | 6.1 psi (42 kPa) |
| Maximum Coolant Static Head | 21 feet (6.4 meters) |
| Ambient Temperature Rating | 104°F (40°C) |

| Air | |
|---------------------------------|-------------------------------------|
| Combustion Air | 99 cfm (2.8 m ³ /min) |
| Maximum Air Cleaner Restriction | 25 in. H ₂ O (6.25 kPa) |
| Alternator Cooling Air | 526 cfm (14.9 m ³ /min) |
| Radiator Cooling Air | 1472 cfm (41.7 m ³ /min) |

| Exhaust System | |
|-----------------------|--------------------------------------|
| Gas Flow (full load) | 233 cfm (6.6 m ³ /min) |
| Gas Temperature | 896°F (480°C) |
| Maximum Back Pressure | 53.2 in. H ₂ O (13.3 kPa) |

| Amperage | |
|---|--|
| Rated Voltage | Maximum Amps |
| 1Ø 120 Volt | 100 Amps (4 wire) 108A x 2 (Zigzag) |
| 1Ø 240 Volt | 50 Amps (4 wire) 108A (Zigzag) |
| 3Ø 240 Volt | 108 Amps |
| 3Ø 480 Volt | 54 Amps |
| Main Line Circuit Breaker Rating | 125 Amps |
| Over Current Relay Trip Set Point 480V Mode Only | 54 Amps |

WARRANTY*

Isuzu Engine

12 months from date of purchase with unlimited hours or 24 months from date of purchase with 2000 hours (whichever comes first).

Generator

24 months from date of purchase or 2000 hours (whichever occurs first).

Trailer

12 months excluding normal wear items.

*Refer to the express written, one-year limited warranty sheet for additional information.

NOTICE

Generator is not intended for use in enclosed areas or where free flow of air is restricted.

Backfeed to a utility system can cause electrocution, shock and/or property damage. **DO NOT** connect to any building's electrical system except through an approved device.

Specifications are subject to change without notice.



DCA45USI4CAN

MQ POWER Series Generator

MQ POWER DECIBEL LEVELS

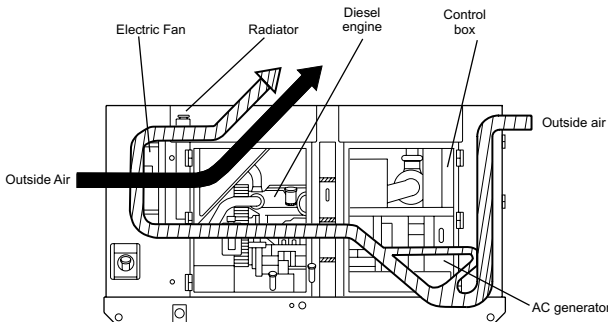
Our soundproof housing allows substantially lower operating noise levels than competitive designs. WhisperWatts are at home on construction sites, in residential neighborhoods, and at hospitals — just about anywhere.

- 90 — Subway / truck traffic
- 80 — Average city traffic
- 70 — Inside car at 60 mph
- 60 — Air conditioner at 20 feet
- 58.0 — Ultra-Silent at 23 feet
- 50 — Normal conversation



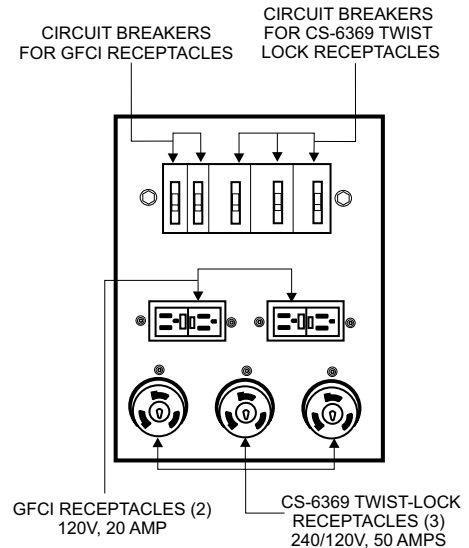
ULTRA-SILENT FEATURES

- **Low Noise Muffler** — Large capacity low noise muffler minimizes exhaust sound.
- **Soundproof Casing** — The new design divides the cabinet into three sections, separating the engine, muffler and radiator for more efficient cooling and reduces noise from the engine and fans.
- **New Cooling System** — An advanced design uses two separate air intake systems to cool the generator. The engine fan draws air in to cool the engine and generator housing while a second electric fan directly cools the radiator. With less air being drawn into the generator through each fan, considerably less noise is produced through the top of the generator.
- **Environmental Design** — Constructed using an integrated environmental skid and fuel tank. This design fully contains fuel leakage and any liquid that might leak from the engine such as lube oil or radiator coolant. All potentially hazardous liquids are contained without contaminating the surrounding area.



Flow of Cooling Air

GENERATOR OUTPUT PANEL



OPTIONAL GENERATOR FEATURES

- **Battery Charger** — provides fully automatic and self-adjusting charging to the generator's battery system.
- **Special Batteries** — long life batteries provide extra engine cranking power.
- **Low Coolant Level Shutdown** — provides protection from critically low coolant levels. Includes control panel warning light.
- **Spring Isolators** — provides extra vibration protection for standby applications.
- **Trailer Mounted Package** — meets National Highway Traffic Safety Administration (NHTSA) regulations. Trailer is equipped with electronic or surge brakes with double or triple axle configuration.

OPTIONAL CONTROL FEATURES

- **Emergency Stop Switch** — when manually activated shuts down generator in the event of an emergency.
- **Audible alarm** — alerts operator of abnormal conditions.

OPTIONAL OUTPUT CONNECTIONS

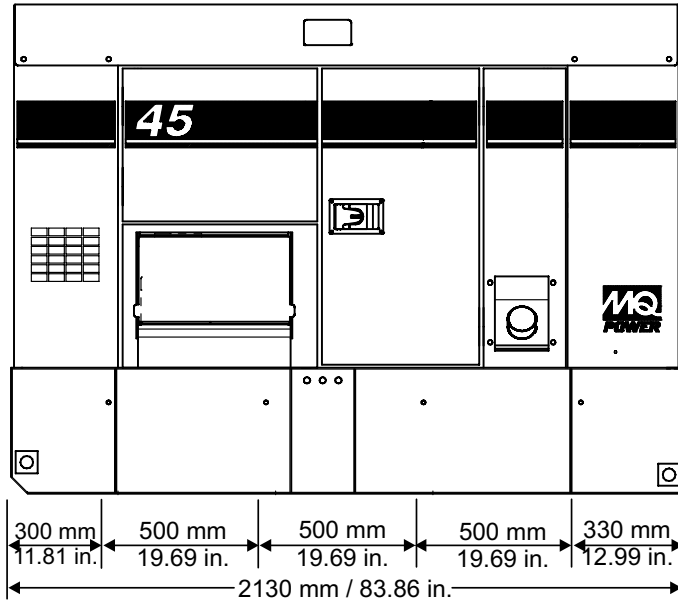
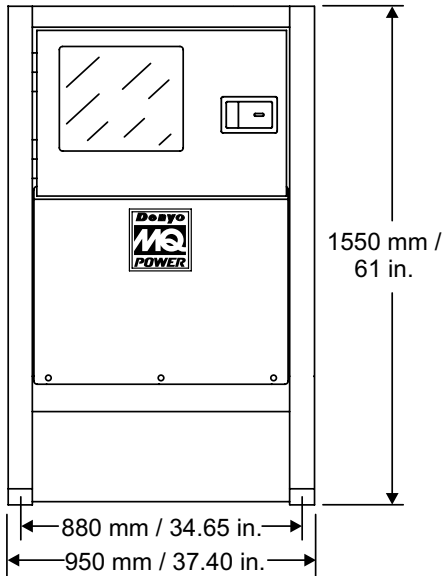
- **Cam-Lok Connectors** — provides quick disconnect alternative to bolt-on connectors.
- **Pin and Sleeve Connectors** — provides industry standard connectors for all voltage requirements.
- **Output Cable** — available in any custom length and size configuration.



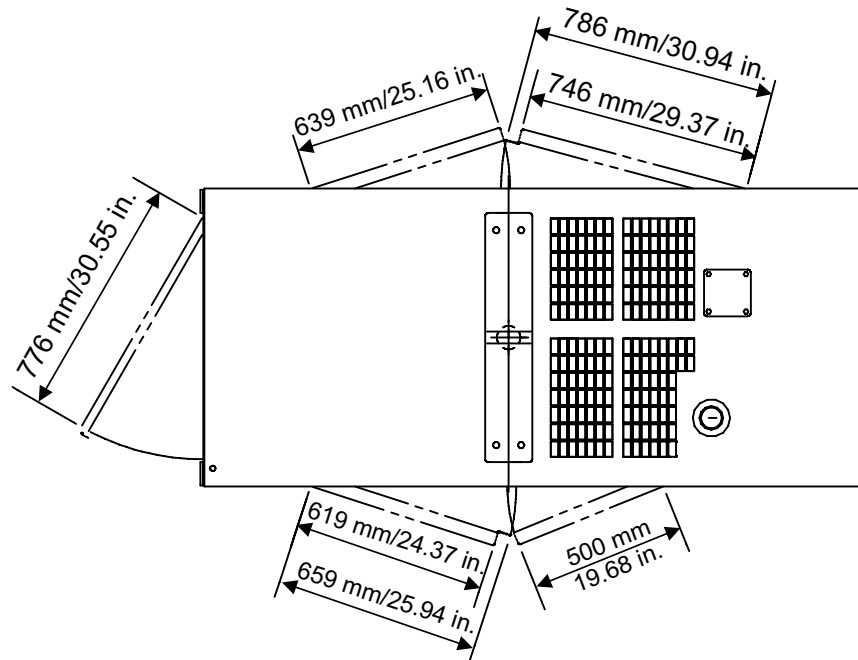
DCA45USI4CAN

MQ POWER Series Generator

DIMENSIONS



| Weight | |
|-----------------------------|-----------------------|
| Dry Weight | 3,086 lbs. (1,400 kg) |
| Wet Weight | 3,704 lbs. (1,680 kg) |
| Max. Lifting Point Capacity | 6,960 lbs. (3,157 kg) |



Generator can be placed on an MQ Power Model TRLR45 Tandem Axle Trailer

Manufactured by Denyo Co.

Your MultiQuip dealer is:

