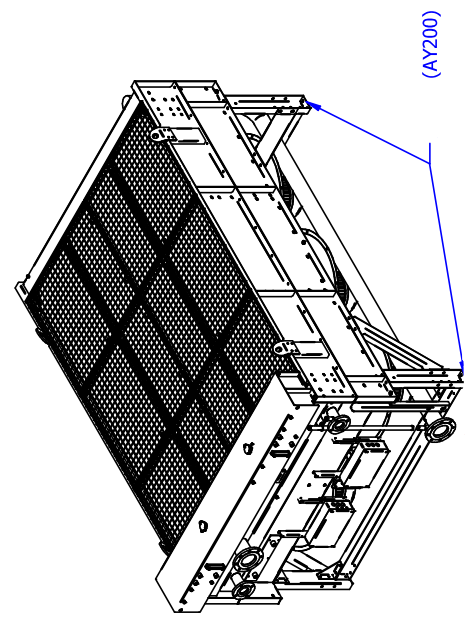
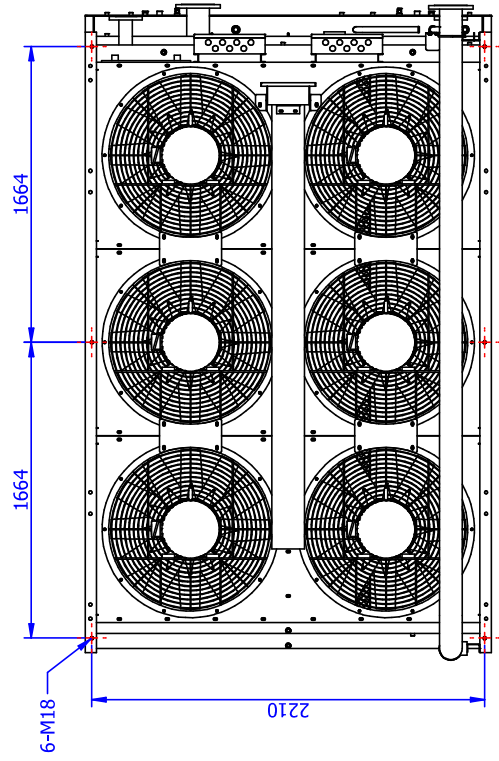
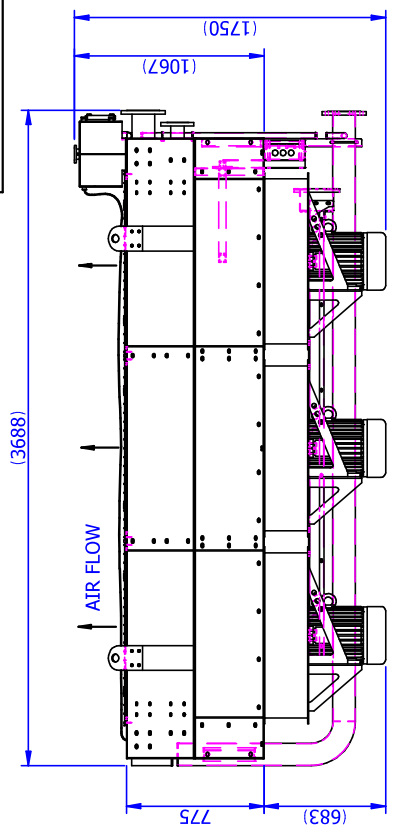
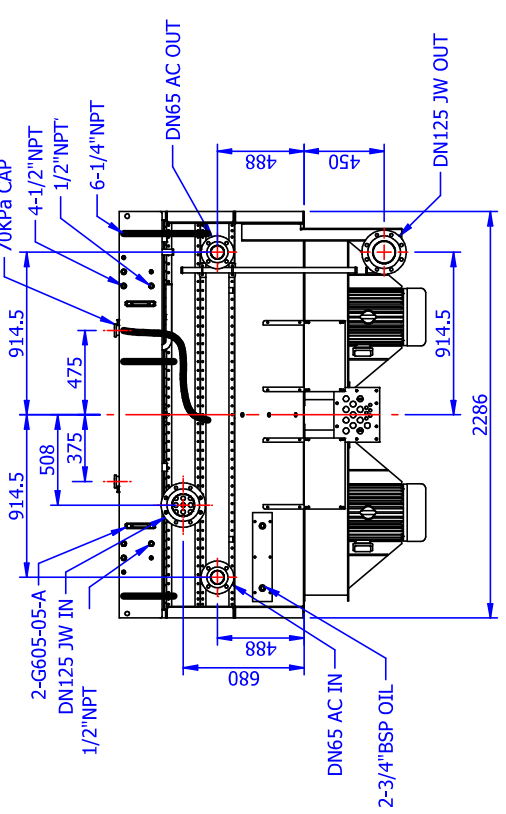


1 2 3 4 5 6 7 8 9 10

FOR: YDI



690 L  
3047 KG

FAN: Ø900/PAG X6PCS;  
MOTOR: 15KW/4POLES/460V(230V)/60HZ/IP55/F/B3/SPACE HEATER. X6PCS;  
15KW/4POLES/480V(277V)/60HZ/IP55/F/V6/SPACE HEATER. X6PCS;

D	24/06/20	TITLE:	DWG NO.:	21-RA-YD-T001-00FT0
C	23/10/08	FOR QSK60G6-60HZ-OPEN	PROJ NO.:	20201282541
E	24/10/08		DRAWN BY:	21/09/17
A	21/09/17		CHECKED BY:	
REV	DATE	BY	APPROVED BY:	
CHANGE DETAILS				