

CUSTOMER: Blasy Electric Inc -
Midland, MI

PURCHASE ORDER #: 221236107.01

PROJECT: RE: 221236 Greater
Midland Community

TP-1 temporary transformer

THREE PHASE PADMOUNT TRANSFORMER

KVA: 1500

TEMPERATURE RATING: 65 Degree C Rise

HIGH VOLTAGE: 8320Y/4800 (95 KV BIL)

LOW VOLTAGE: 480Y/277 (30 KV BIL)

PRIMARY TAPS: 2-2½ % A&B Nominal

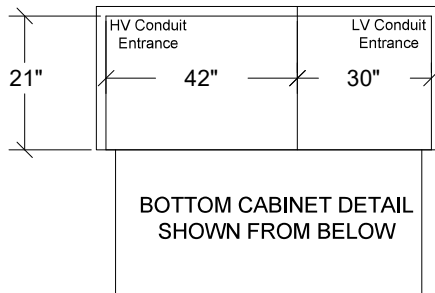
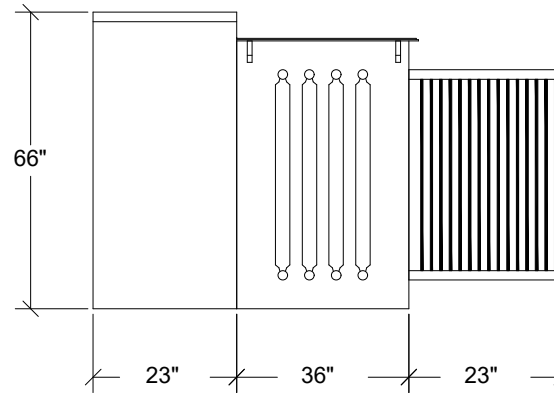
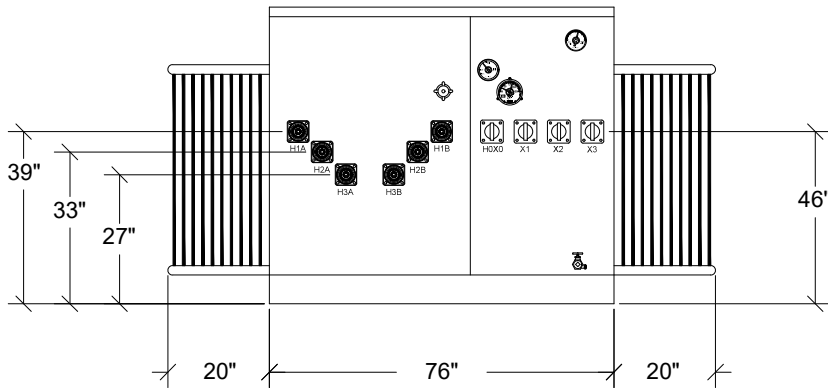
GALLONS OF FLUID: 504

TYPE OF FLUID: FR3 Envirotemp Fluid

APPROXIMATE WEIGHT: **11,300 lbs**

Hz: 60

- 6) Wells & 15KV Inserts Primary Bushings
- Set of 3) 6KV Dead Front Arrestors
- Loop Feed
- 6-Hole Spade Secondary Bushings
- Liquid Level Gauge
- Temperature Gauge
- Pressure Vacuum Assembly
- Drain Valve with Sampler
- Pressure Relief Device



SUNBELT SOLOMON

NOTE:

1. ALL DIMENSIONS & WEIGHTS ARE APPROXIMATE. THE NUMBER AND PRECISE LOCATION OF GAUGES, VALVES PRESSURE RELIEF'S, BUSHINGS AND OTHER COMPONENTS SUBJECT TO CHANGE BEFORE UNIT IS COMPLETE.

3. DRAWING IS A REPRESENTATION OF THE LAYOUT FOR THE TRANSFORMER AND IS NOT DRAWN TO SCALE.