

SUBMIT FOR APPROVAL

ESD #TWBKG, #TWBLJ
#TWBLY, #TWBMK
#TWNK

1E2966B	IDENT
1E2733	DRAWING - AUTOCAD
1E0198W	BRAND MARKINGS
1E0013G	CONFIDENTIALITY
1E0012A	INTERPRETATION
1E0011	INTPR & TOL
Caterpillar: Confidential Green	

ENGINE MODEL	C175-16 DSL
CON-CEPT	EXP PRE-PRD PRD
CUSTOM PRD X	
UNLESS OTHERWISE SPECIFIED	
DIMENSIONS ARE IN mm	
DIMENSIONS W/O TOL ARE BASIC	
SCALE	1=20
0 10mm 20 30	
SHEET 3 OF 8	THIRD ANGLE PROJECTION
AA	19AUG22
CHG	DATE

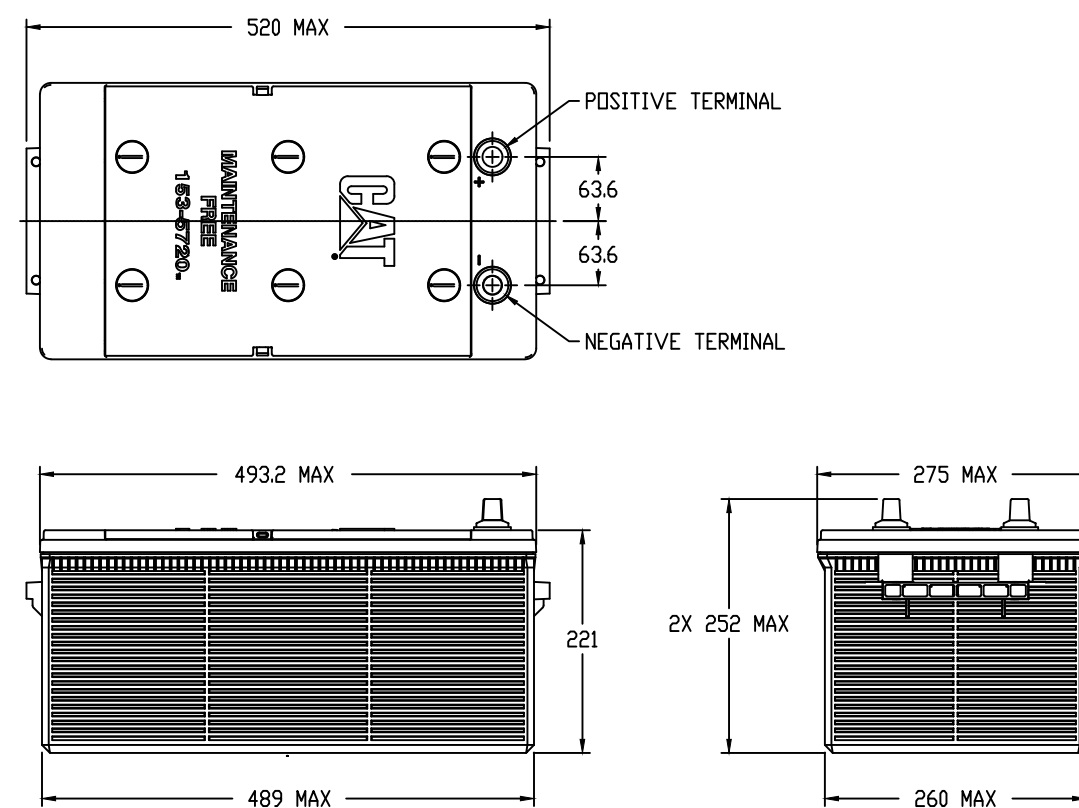
CATERPILLAR INC.			
THE INFORMATION HEREIN IS THE PROPERTY OF CATERPILLAR INC. AND/OR ITS SUBSIDIARIES. WITHOUT WRITTEN PERMISSION, ANY COPYING, TRANSMITTAL TO OTHERS, AND ANY USE EXCEPT THAT FOR WHICH IT IS LOANED IS PROHIBITED.			
INSTALLATION-DRAWING			
(ALTORFER INDUSTRIES, INC C175-16)			
630-9986	VER	CONTROL	D
	SUB	W441	

DATUMS	
01	- CENTERLINE OF CRANKSHAFT
02	- CENTERLINE OF ENGINE
03	- REAR FACE OF ENGINE BLOCK

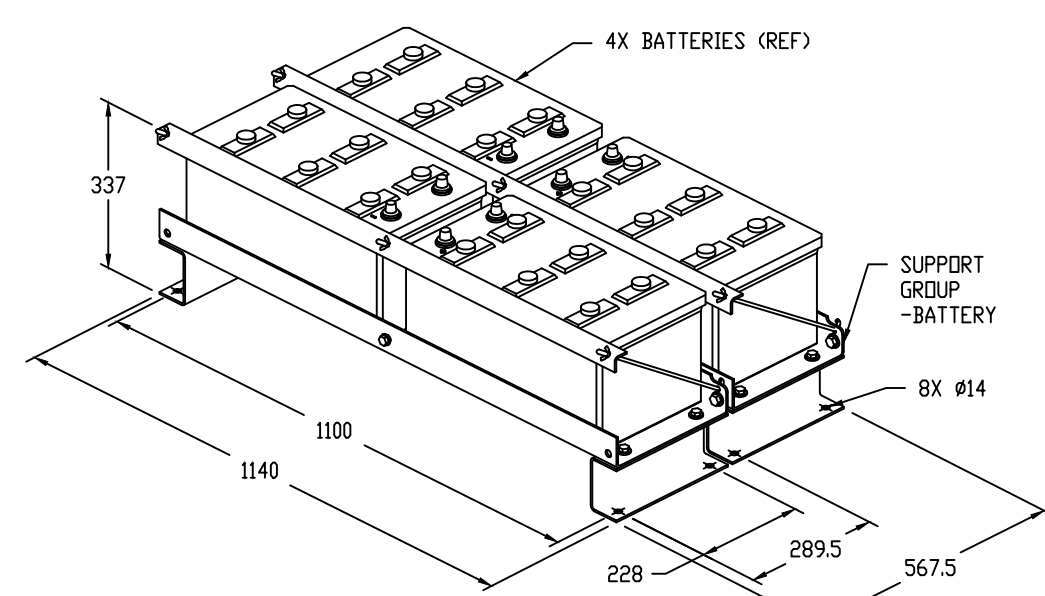
() = Dimension values may vary due to variable or final customer position.

RIGHT SIDE VIEW
TOLERANCE +/- 13MM

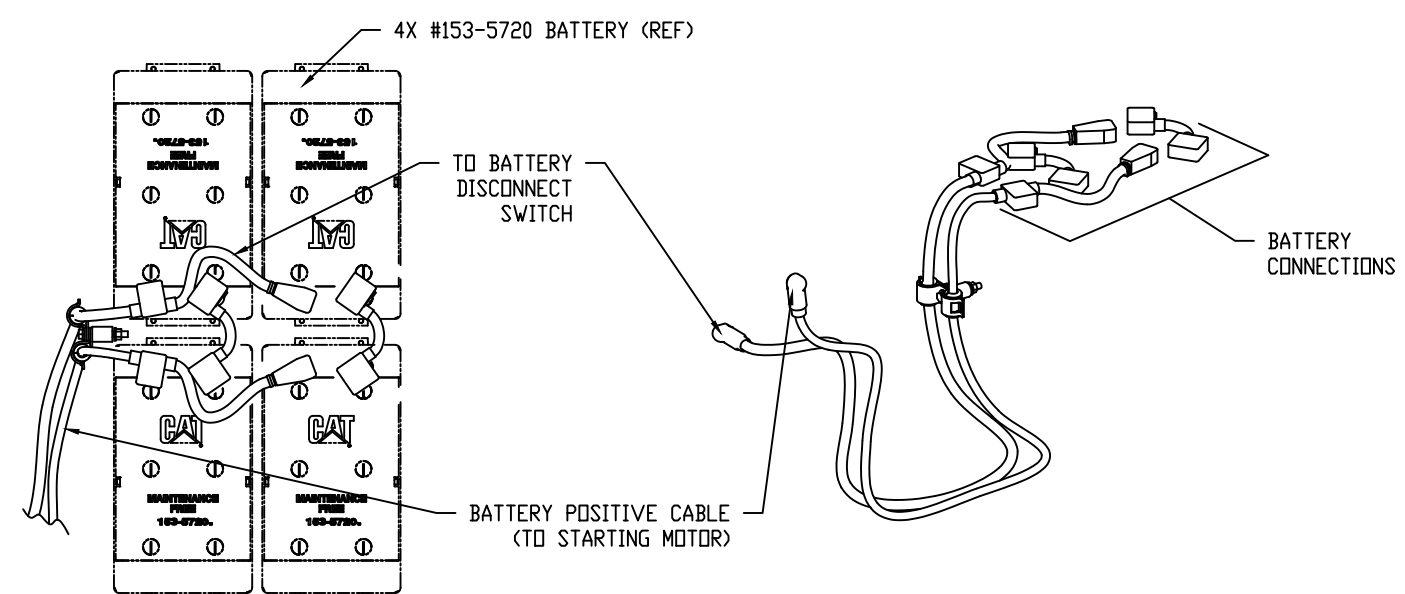
THE LINE IS USED AS A LINEAR DATUM FOR THE VIEW IN WHICH IT APPEARS. DIMENSIONS ARE PRINTED PARALLEL TO THE DATUM LINE TO WHICH THEY PERTAIN. DIMENSIONS WITH ARROW-HEADS DO NOT PERTAIN TO THE DATUM LINES EXCEPT IN AUXILIARY VIEWS.



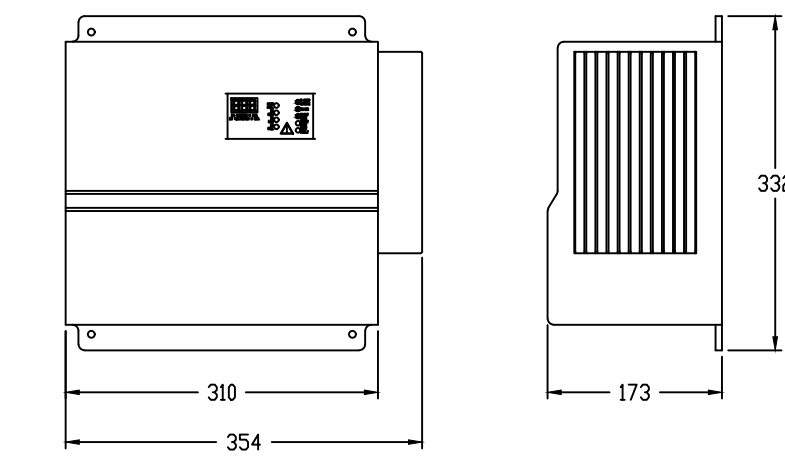
DETAIL OF PART #153-5720 BATTERY-WET (MAINT FREE) (GP 8D) (12V)
(QTY. 4) INCLUDED WITH PART #259-3098 BATTERY GP
SCALE NONE
(SHIPPED LOOSE)



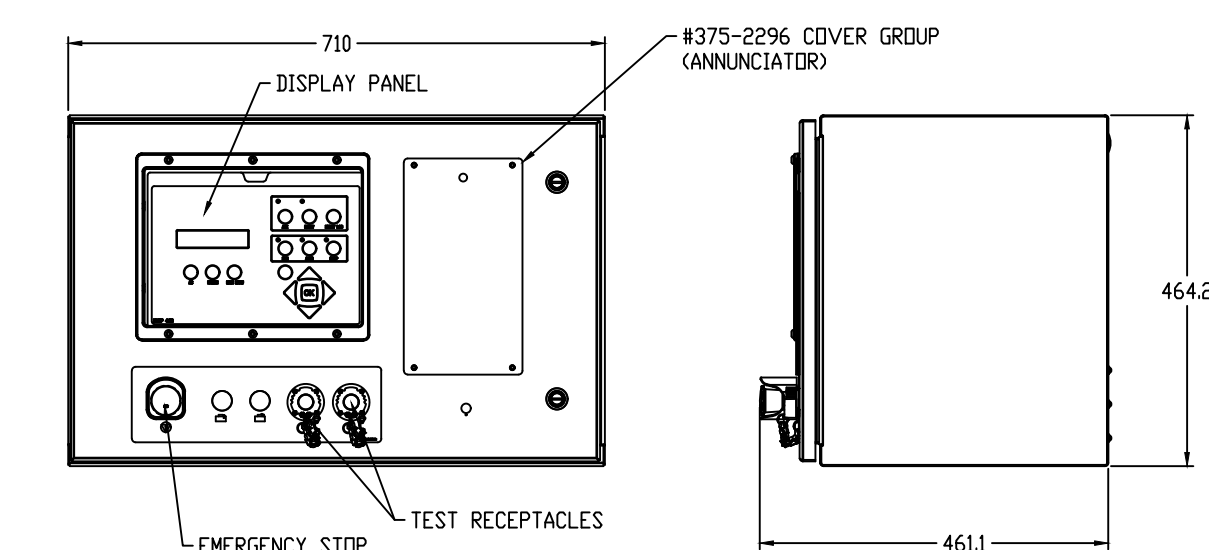
DETAIL OF PART #350-2550 SUPPORT GROUP-BATTERY (4 BATTERY)
SCALE NONE
(SHIPPED LOOSE)



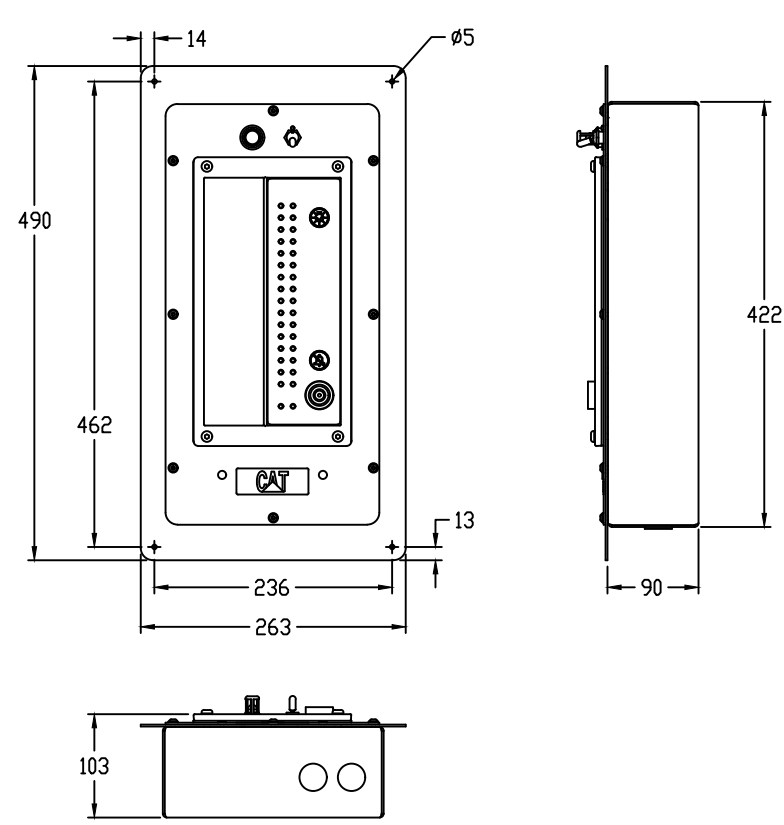
DETAIL OF PART #574-4581 WIRING GROUP (C175 4 8D BATTERIES)
SCALE NONE
(SHIPPED LOOSE)



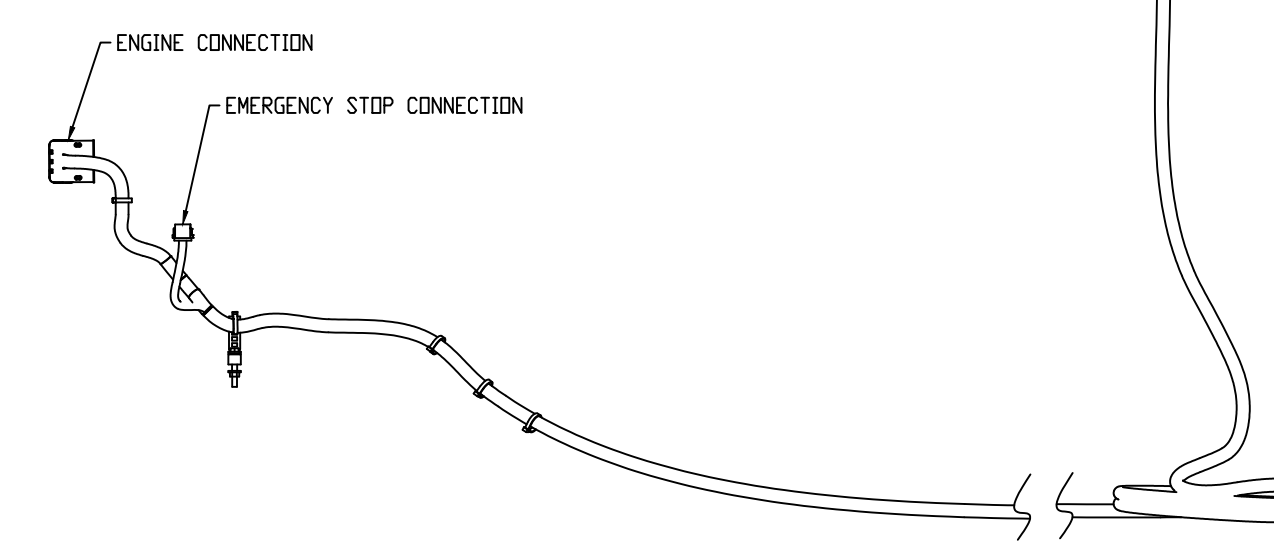
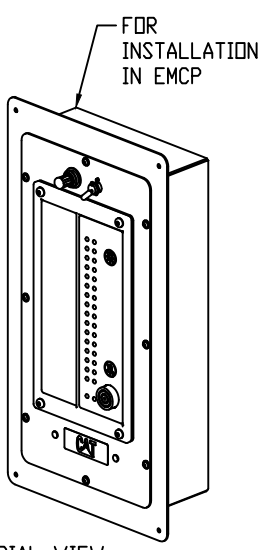
DETAIL OF PART #286-0177 CHARGER-BATTERY SCALE NONE
(SHIPPED LOOSE)



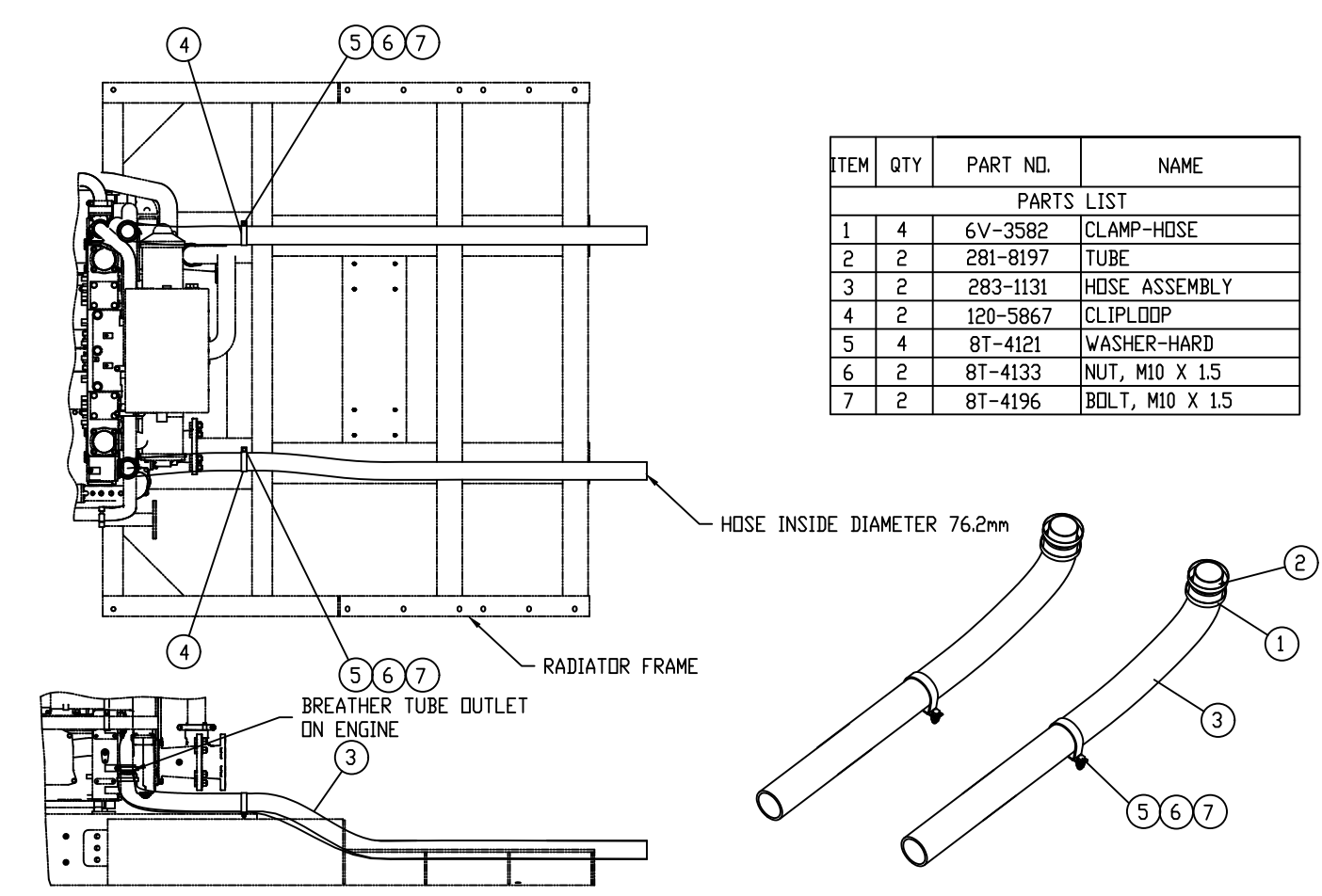
DETAIL OF PART #579-9020 PANEL GROUP-ELECTRONIC (EMCP 4.2B)
SCALE NONE
(SHIPPED LOOSE)



DETAIL OF PART #375-2303 ALARM GROUP-BASIC (ANNUNCIATOR SL. CUSTOM)
SCALE NONE
(SHIPPED LOOSE)

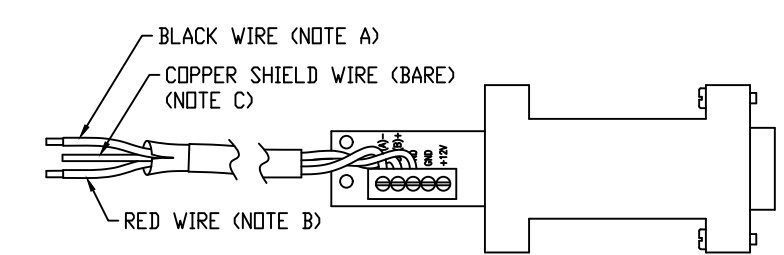


DETAIL OF PART #533-3110 WIRING GROUP (ENGINE INTERFACE HARNESS - 7.50)
SCALE NONE
(SHIPPED LOOSE)



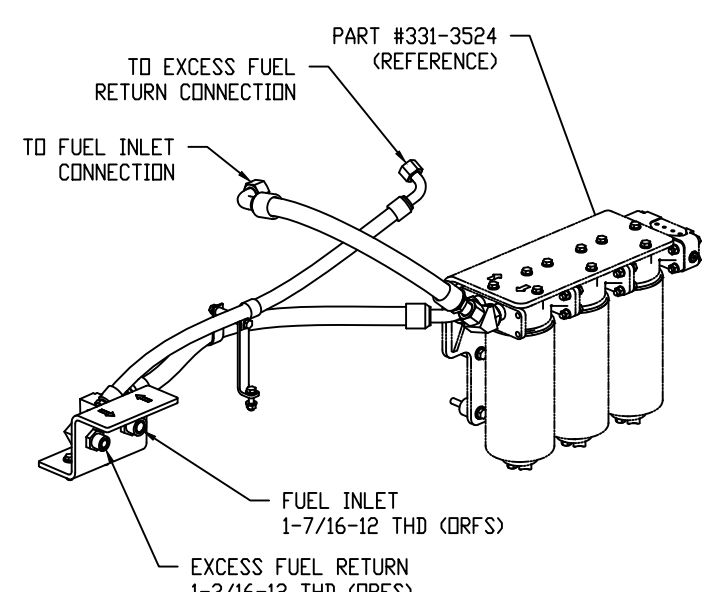
ITEM	QTY	PART NO.	NAME
PARTS LIST			
1	4	6V-3582	CLAMP-HOSE
2	2	283-8197	TUBE
3	2	283-1131	HOSE ASSEMBLY
4	2	120-5867	CLIPLOOP
5	4	8T-4121	WASHER-HARD
6	2	8T-4133	NUT, M10 X 1.5
7	2	8T-4196	BOLT, M10 X 1.5

DETAIL OF PART #259-9104 DISPOSAL GP-FUMES (CRANKCASE BREATHER OUTLET EXTENSION RH & LH)
SCALE NONE
(SHIPPED LOOSE)

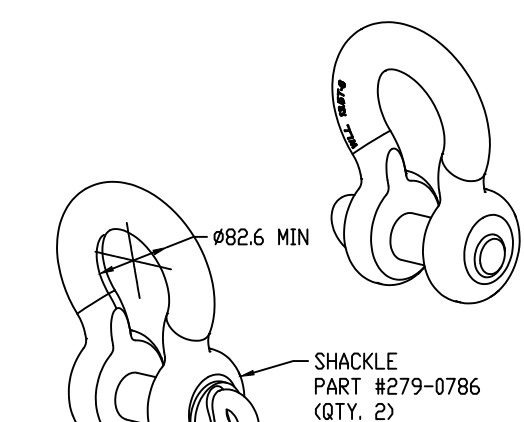


NOTE A: CONNECT RED WIRE TO TERMINAL BLDCK MOD-BUS+
NOTE B: CONNECT BLACK WIRE TO MOD-BUS-
NOTE C: CONNECT COPPER SHIELD WIRE TO MOD-REF

DETAIL OF PART #270-0476 ADAPTER GROUP-BSC
SCALE NONE
(SHIPPED LOOSE)

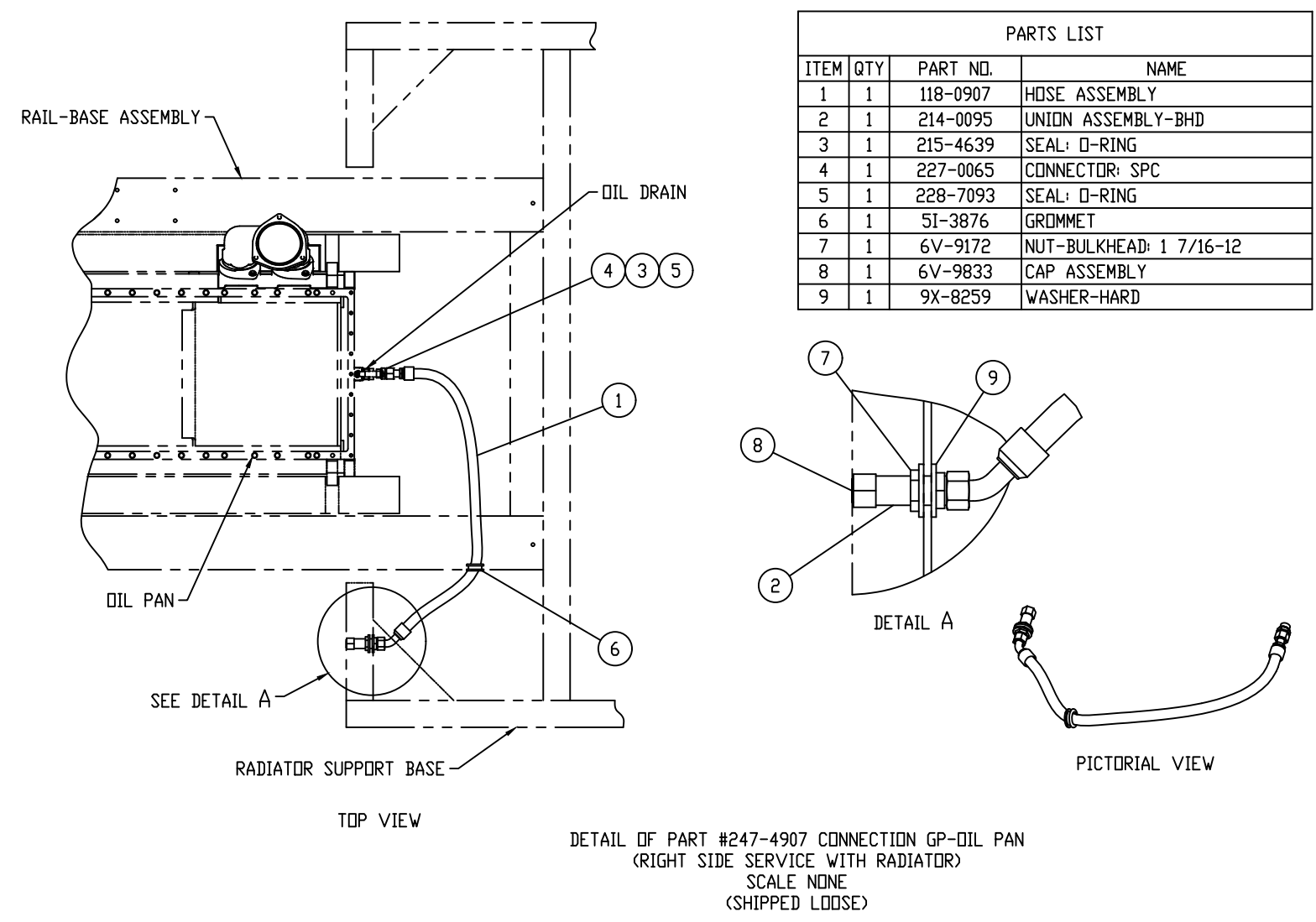


DETAIL OF PART #560-9065 LINES GROUP-FUEL FILTER
SCALE NONE
(SHIPPED LOOSE)

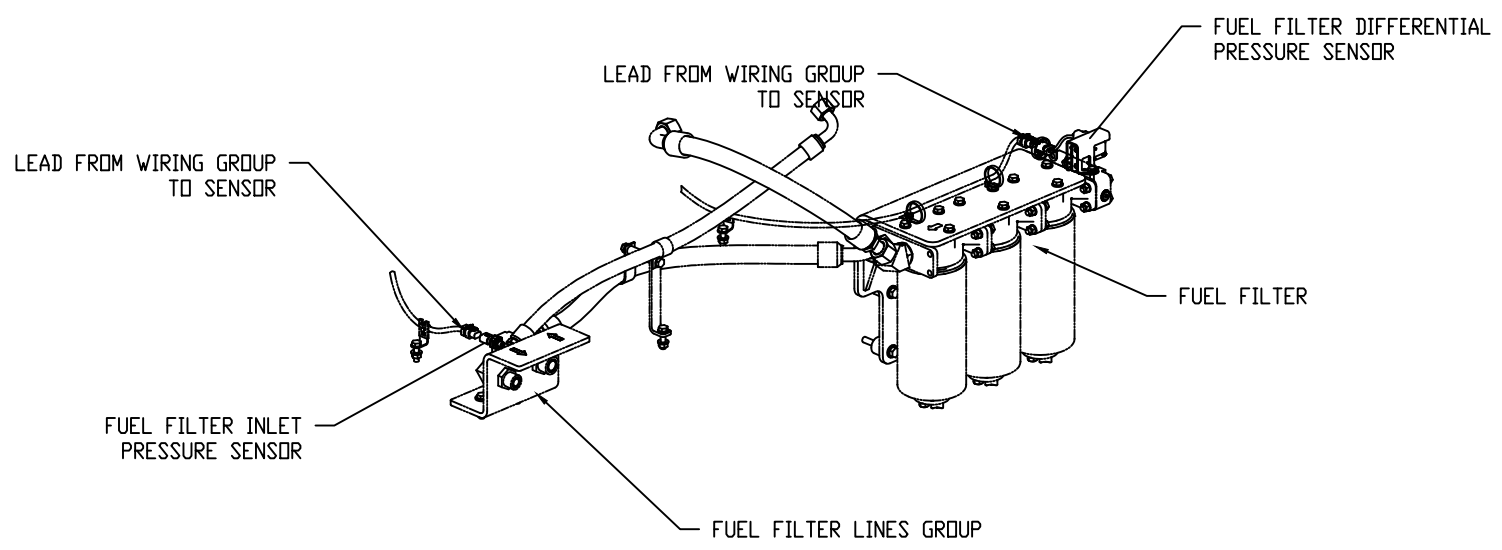


DETAIL OF PART #284-8332 LIFTING GP (C175 ENGINE SHACKLE)
SCALE NONE
(SHIPPED LOOSE)

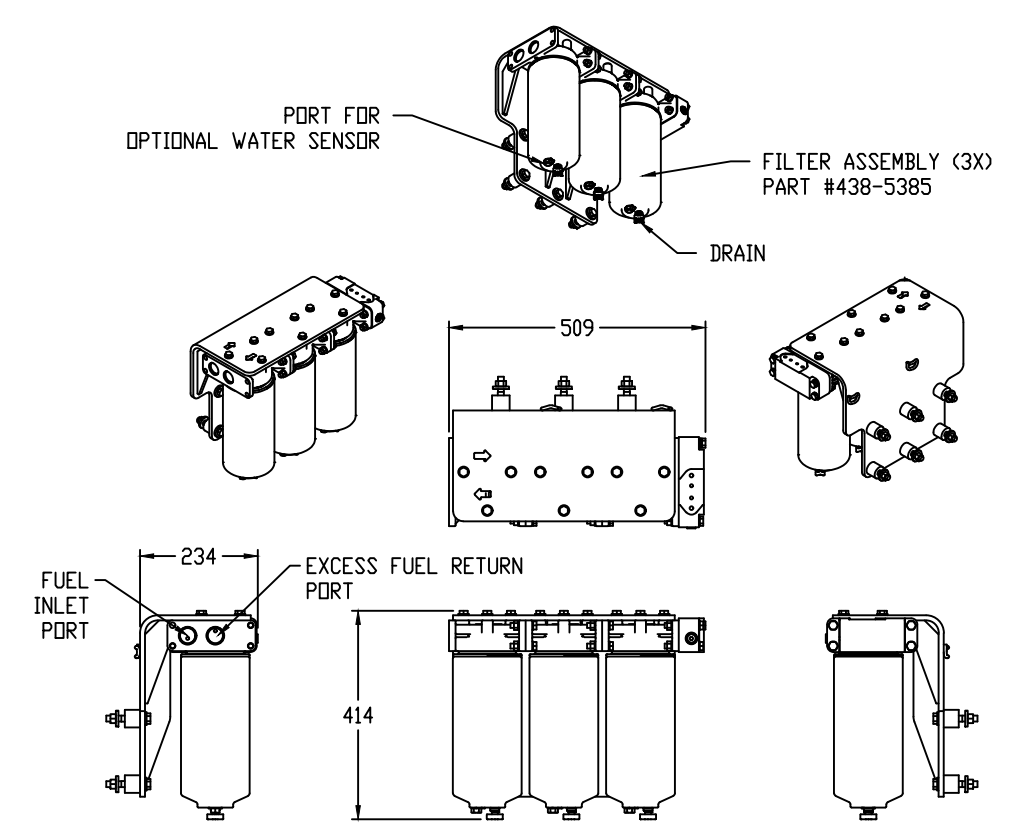
ESD #TWBKG, #TWBLJ
#TWBLY, #TWBMK
#TWBNK



DETAIL OF PART #247-4907 CONNECTION GP-OIL PAN (RIGHT SIDE SERVICE WITH RADIATOR)
SCALE NONE
(SHIPPED LOOSE)



DETAIL OF PART #334-5894 SENSOR GROUP-ENGINE
SCALE NONE
(SHIPPED LOOSE)



DETAIL OF PART #331-3524 FILTER GROUP-FUEL (WATER SEPARATOR) (PRIMARY-SIMPLEX)
SCALE NONE
(SHIPPED LOOSE)

SUBMIT FOR APPROVAL

MATERIAL	HT TR	DESCRIPTION	DATE
		1E2966B IDENT	
		1E2733 DRAWING - AUTOCAD	
		1E0198W BRAND MARKINGS	
		1E0013G CONFIDENTIALITY	
		1E0012A INTERPRETATION	
		1E0011 INTPR & TOL	
		Caterpillar: Confidential Green	
		ENGINE MODEL C175-16 DSL	
		CON-CEPT EXP PRE-PROD PROD	
		CUSTOM PROD X	
		UNLESS OTHERWISE SPECIFIED DIMENSIONS ARE IN mm DIMENSIONS 1/16 TOL ARE BASIC	
		SCALE NONE	
		0 10mm 20 30	
		SHEET 6 OF 8	
		THIRD ANGLE PROJECTION	
		AA 19AUG22	
		CHG DATE	
		CATERPILLAR INC.	
		THE INFORMATION HEREIN IS THE PROPERTY OF CATERPILLAR INC. AND/OR ITS SUBSIDIARIES. WITHOUT WRITTEN PERMISSION, ANY COPYING, TRANSMITTAL TO OTHERS, AND ANY USE EXCEPT THAT FOR WHICH IT IS LOANED IS PROHIBITED.	
		INSTALLATION-DRAWING (ALTORFER INDUSTRIES, INC C175-16)	
		630-9986	
		VER CONTROL	
		SUB W441	

