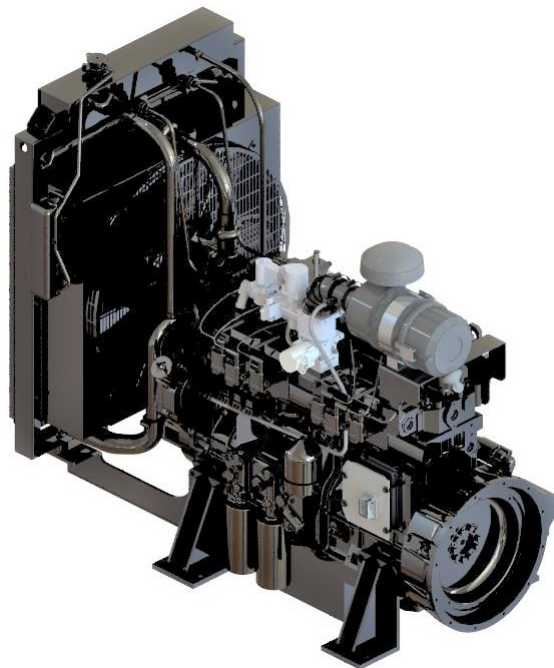




**Original Equipment.
Engineered Solutions.**

KP6

PARTS AND OPERATIONS MANUAL



ARROW ENGINE COMPANY
2301 E. Independence St., Tulsa, OK 74110
www.arrowengine.com

©2023
Arrow Engine Company
KP6-POM-JAN2023

KP6

PARTS AND OPERATIONS MANUAL

KP6-POM-JAN2023

Copyright ©2023 by Arrow Engine Company

2301 E. Independence St.

Tulsa, OK 74110

All rights reserved

1. Maintenance Providers

Maintenance and repair services may be performed by you or any qualified engine service provider you choose. However, your engine warranty does not cover damage or failure caused by improper maintenance or repairs.

2. Operations Manual and Maintenance Log Storage and Use

Store this Operations Manual and Maintenance Log in a safe, visible place near your engine. The maintenance log must be updated whenever your engine is serviced.

Table of Contents

U.S. EPA Legal Requirements	1
Recommended Spare Parts	2
PARTS	3
Special Tools	5
Positive Crankcase Ventilation Air Cleaner Rocker Cover	6
Fan Drive Assembly	8
Intake Manifold	9
Camshaft	10
Centrifuge Oil Filter	11
Crankcase	12
Crank Pulley	14
Crankshaft	15
Cylinder Head	16
Cylinder Liner	18
Delivery Body	19
Dipstick	20
Engine Support	21
Exhaust Manifold	23
Exhaust System	24
Flywheel	26
Flywheel Housing	27
Fuel System	28
Front Cover	30
Gear Casing	33
Radiator / Cooling System	34
Coil Bracket Mounting	36
Intermediate Gear and Support	38
Lifting Hook	39
Oil Cooler, Spin-on Filter	40
Oil Pump	41
Sensors	42
Oil Pan Assembly	44
Alternator	45
Starter	46
Plate, Gas Engine	47
Oil-filling Body	48

Oil Seal Housing	49
Piston and Connecting Rod Assembly	50
Pulley for Water Pump.....	51
Fastener, Water Pump Pulley Mounting	51
Pushrod and Lifter	51
Radiator Fan	52
Rocker Cover.....	53
Suction Tube.....	54
Thermostat and Mounting	55
Alternator V-belt	57
Valve Rocker Assembly	58
Water Pump	60
Set of Gaskets, Copper Washers, O-rings	61
Set of Bearings	62
Sleeve Kit.....	62
OPERATION AND SERVICE	63
Introduction to KP6	64
Symbols	64
Features, Engine Specifications	65
General Guidelines	66
Service and Maintenance	66
Maintenance and Repairs	66
Safety Symbols	66
Engine Illustrations	67
Engine-lifting Device	67
Oil System	68
Oil Circuit	68
Lubrication System Illustration	69
Oil Pressure	70
Oil Temperature	70
Oil Consumption	70
Oil Sump Capacity	70
Cooling System, Radiator-type	71
Coolant	72
Electrical System	72
Electrical Equipment	72
Battery and Cables	73
Engine Operation	73

Commissioning	73
Oil	73
Cooling System	73
Belts	74
Valve Clearance	74
Engine Starting	74
Engine Stopping	74
Operating Conditions	75
Operation in Winter	75
Battery	75
Engine Coolant	75
High Ambient Temperature/Altitude	75
Service and Maintenance	76
Maintenance of Lubrication System	76
Checking Oil Level	76
Changing Engine Oil	77
Oil Filter	78
Belt Drives	79
Adjustments	80
Checking/Adjusting Valve Clearance	80
Tightening Torque	82
Checking Flatness Method	85
Inspecting Valve Recess in Cylinder Head	85
Replacing Valve Guides	85
Replacing Valve Seat Inserts	85
Assembly of Piston and Connecting Rod	86
Checking Piston Ring Butt Clearance	86
Check Internal Diameter of Main and Connecting Rod Bearing Shells	87
Fitting Piston Rings on Piston	87
Fitting Crankshaft in Crankcase	88
Checking Crankshaft End Play	88
Fitting Piston and Connecting Rod Assembly in Liner	89
Valve Lapping	89
Valve Checking, Pencil Erase Test	91
Valve Checking, Fuel Leakage Test	91
Inspection and Servicing of Oil Spray Nozzles	92
Checking Gear Backlash	92
Recommended Gear Backlash	93
Valve Lifter Setting	94

Lifter Setting Process	94
Servicing Spin-on Lubricating Oil Filter	95
Inspection and Servicing Oil Cooler	95
Safety Precautions	96
Bodily Protection	96
Exhaust Gases	96
Engine Fuels	96
Positive Fuel Shutoff	96
Safety Guards	96
Ignition Systems	96
Cooling System Pressure Caps and Connections	96
Generator Sets	97
Repair and Service	97
Housekeeping	97
Engine Fan Blades	97
Oil Change Procedure	98
Oil Filters	98
Centrifuge Oil Filter	98
Cleaning Frequency	99
Identification and Location	99
Servicing Procedure	100
Centrifuge Cleaner Dos and Don'ts	101
Engine Storage Chemicals	102
Fire Protection	102
Cleaning Solvents	102
Welding Equipment	102
Grounding Precautions When Welding	102
Electric Power Tools	102
Lead Acid Batteries	102
Precautions When Using Booster Batteries and Cables	103
Negative-grounded Battery	103
Compressed Air	103
Sodium-filled Valves	103
Drugs and Alcohol	103
Safety Practices for Handling Acids	104
Engine Storage	105
Storing New Engines	105
Storing Engines That Have Been in Service	106
Preservation Equipment and Material	107

Sprays and Atomizers	107
Heating of Preservative Compounds	107
Preparing Engine for Operation After Storage	107
TROUBLESHOOTING	108
Operating Controls	108
Electrical System	108
Cooling System	108
Fuel System	108
Air Intake System	109
Exhaust System	109
Ignition System	109
Lubrication System	109
Troubleshooting Chart	110
Horsepower Derates	120
INSTALLATION	121
Automatic Starting	121
Space Requirements	121
Stationary Installations	121
Engine Foundations	121
Mounting	121
Alignment	121
Preparing Unit for Service	122
Cooling System Design	122
Air Intake System	123
Engine Fuels	123
Emissions-related Installation Manual (insert).....	125
Maintenance Schedule	140
Diagnostic Trouble Codes (DTC) Fault Codes	141
Engine Identification	144
2023 Prime Engine and Emissions Control Warranty Statement	145
Preventive Maintenance Checklist	147
Maintenance Log	160
Engine/Wire Harness	161

THIS PAGE INTENTIONALLY LEFT BLANK

THIS PAGE INTENTIONALLY LEFT BLANK

U.S. EPA Legal Requirements

This engine has been certified by the U.S. Environmental Protection Agency (EPA) as a stationary and constant-speed mobile engine. It is illegal to operate this engine in a variable-speed (foot-pedal speed-control) application.

To ensure emissions compliance, the U.S. EPA requires you to perform one of the following two options:

1. Operate and maintain your engine as specified in this Operations Manual. In addition, you are required by law to keep detailed maintenance records.
2. If you do not operate and maintain your engine as specified in this Operations Manual, your engine will be considered a noncertified engine.

In this case, you must:

- Keep a maintenance plan and records of conducted maintenance.
- To the extent practicable, maintain and operate the engine in a manner consistent with good air pollution control practices for minimizing emissions.
- For engines rated over 100 HP (KP6 operated on LPG only; not the KP6 operated on NG), conduct an initial performance test within one year of engine start-up to demonstrate compliance. Contact your regional EPA office for instructions on how to conduct an initial performance test.

Per section 113 of the U.S. Clean Air Act, failure to abide by these legal requirements can result in fines up to \$47,531 per day.

A maintenance plan and log are provided at the back of this manual for you to record your engine maintenance. Update this log each time you service your engine.

Preface

Recommended Spare Parts

6-month Spare Parts

Six-month spares are intended to satisfy parts required for start-up spares, and consist primarily of gaskets, O-rings, and common-wear parts. Because valves are sometimes damaged from debris in the piping during start-up, Arrow Engine Company recommends having a full set of replacement valves on hand. Arrow also has available valve repair kits.

1-year Spare Parts

One-year spare parts include the one-year plus the six-month spare parts. We have recommended some parts such as pumps, belts, divider block, etc. — not because these parts are expected to wear out in one year, but because they could be damaged as a result of neglect, abuse, or abnormal wear and tear from extreme or dirty operating conditions.

2-year Spare Parts

Two-year spare parts include the two-year parts, the one-year parts, plus the six-month parts. This is a more complete list of parts recommended as though the unit is in a remote area with limited replacement parts access, or for operating in a critical service. We have recommended some major parts such as a crankshaft and connecting rods — not because these parts are expected to fail in two years, but they could be damaged as a result of neglect, abuse, or abnormal wear and tear from extreme or dirty operating conditions.

This list could also be used as a recommended overhaul repair kit to be used when a complete overhaul becomes necessary.

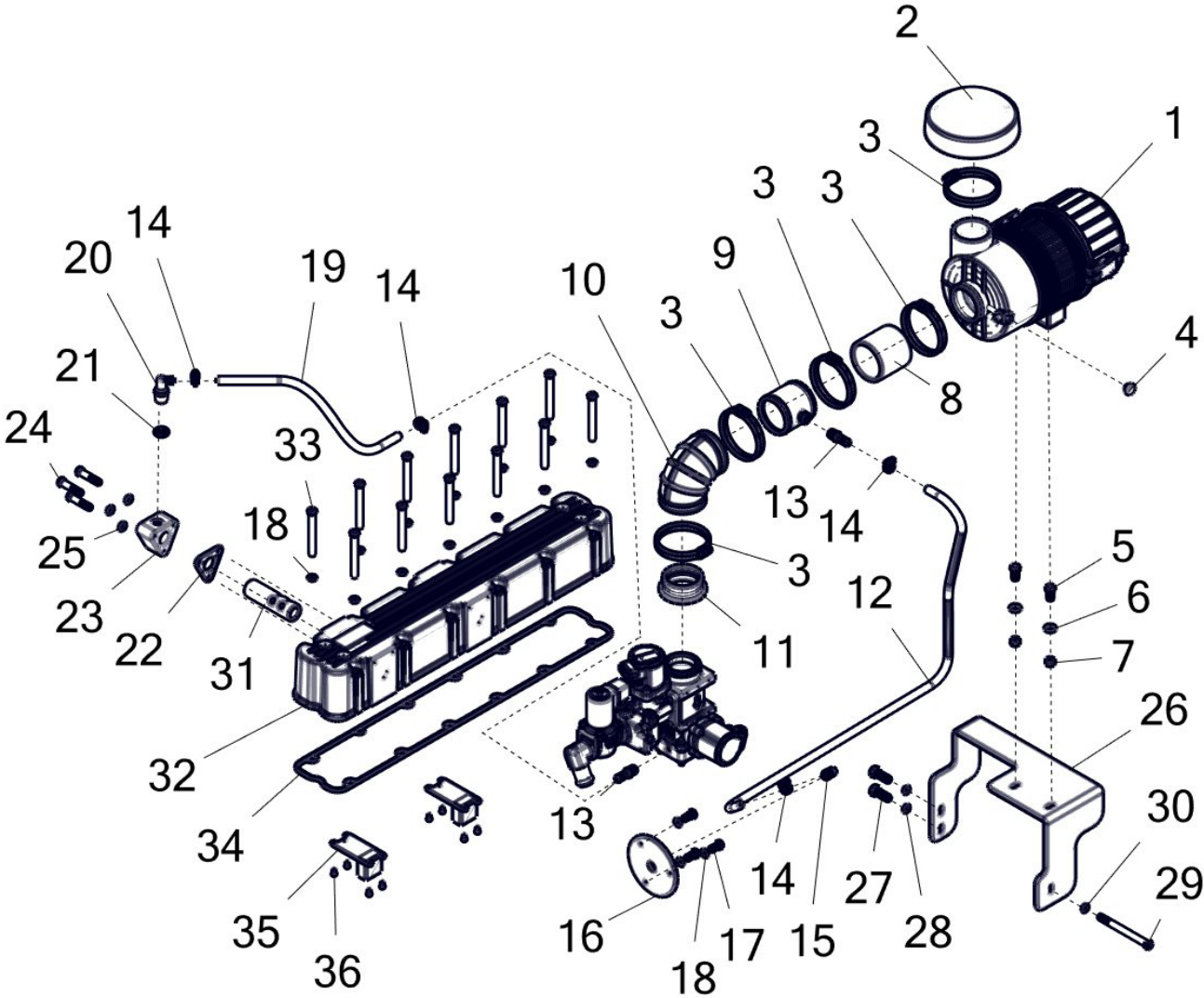
PARTS

THIS PAGE INTENTIONALLY LEFT BLANK

Special Tools

Special Tools			
ITEM NO.	PART NO.	DESCRIPTION OF TOOL	QTY.
1	KB22000	(G.E.) FRONT COVER OIL SEAL INSTALL	1
2	KB22001	(FWE) REAR OIL SEAL INSTALL	1
3	KB22002	CYLINDER LINER REMOVAL	1
4	KB22003	PISTON INSTALL	1
5	KB22004	VALVE SPRING COMPRESSOR	1
6	KB22005	STEM SEAL FITTING	1

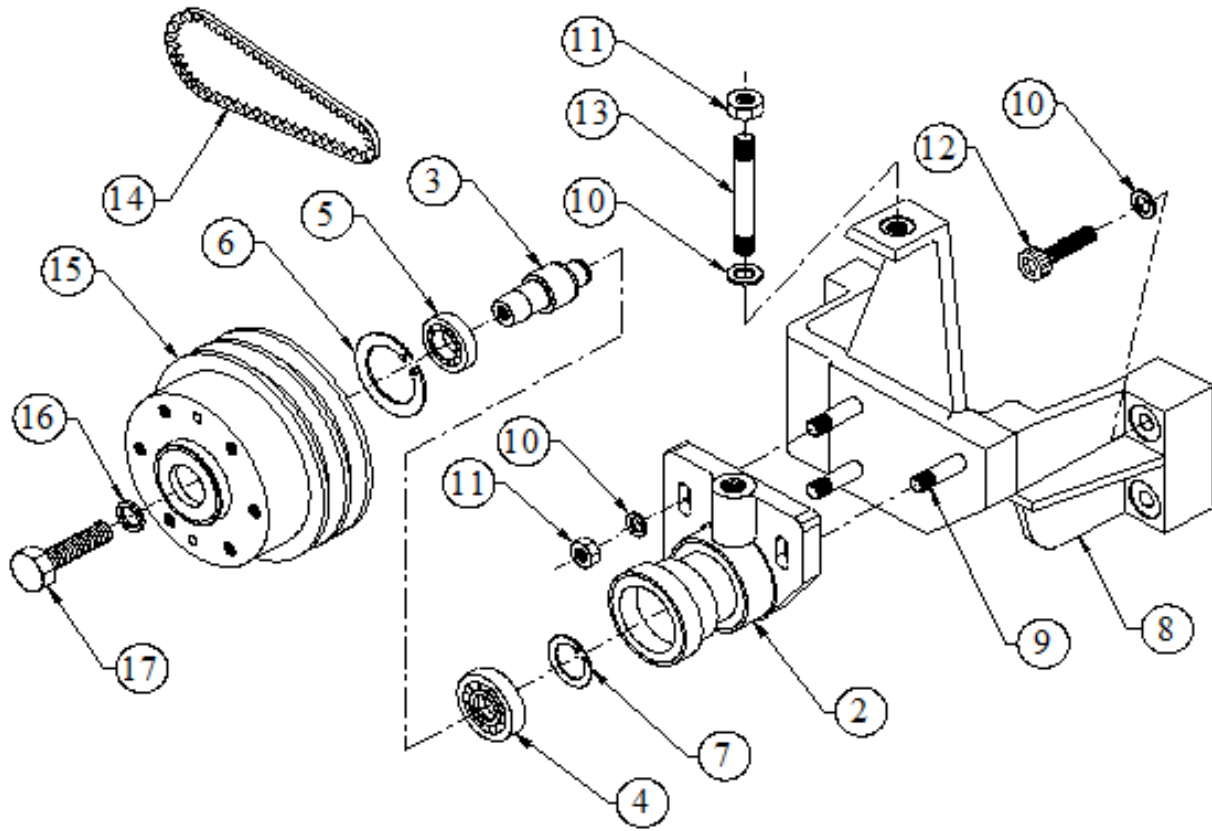
Positive Crankcase Ventilation (PCV) Air Cleaner Rocker Cover



PCV Air Cleaner

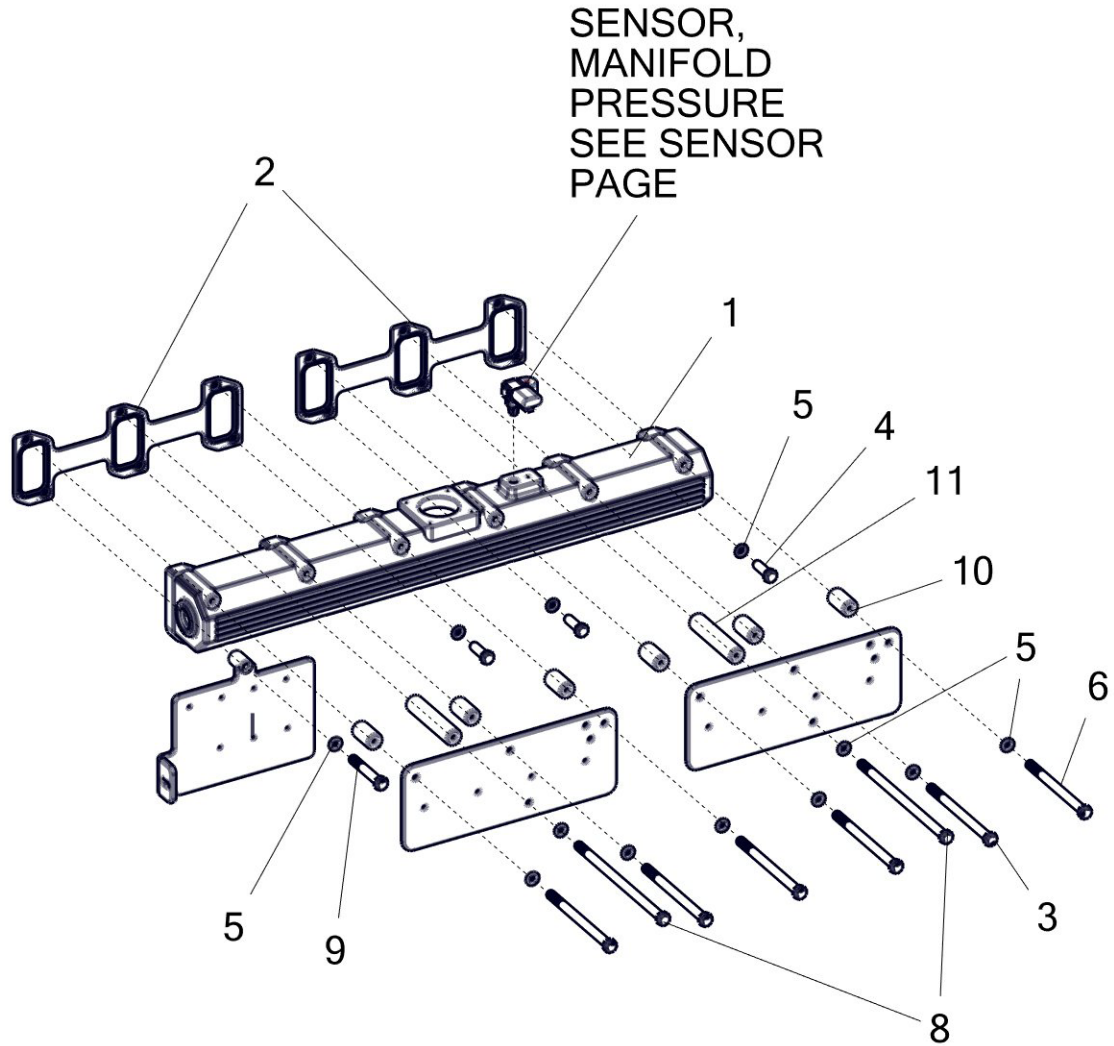
ITEM NO.	PART NO.	DESCRIPTION	QTY.
1	KB50019	AIR CLEANER ASSEMBLY	1
2	KB17002	RAIN CAP, AIR CLEANER	1
3	41236A	CLAMP, HOSE 3.06-4.0	5
4	153789	INDICATOR RESTRICTION (OPTIONAL)	1
5	7A-3816X78	HEX CAP SCREW	2
6	1N-38	FLAT WASHER	2
7	29A-3_8-16	HEX NUT	2
8	KB05011	HOSE, 3-INCH ID X 3-INCH LONG	1
9	KB18001	TUBE, PCV VENT	1
10	WR05001	HOSE, AIR CLEANER INLET TO UPPER TUBE	1
11	KB05010	HOSE ADAPTER, 2.75-INCH TO 3-INCH	1
12	WR05008	HOSE, 3/8-INCH	AR
13	KCN-1/4X3/8	FITTING, BRASS 1/4NPT X 3/8 BARB	3
14	WR07000	HOSE CLAMP (FOR 3/8-INCH HOSE)	4
15	KCN-1/4X3/8-90	BRASS ELBOW 1/4X3/8, 90-DEGREE	1
16	KB50033	COVER, WITH PCV VENT PORT	1
17	M8X20	HEX CAP SCREW M8X1.25X20LG	3
18	M08FW / M8X8.4X15	PLAIN WASHER M8 8.4 MM ID X 15 MM OD	15
19	WR05008	HOSE	AR
20	WR50011	PCV VALVE	1
21	157497X	O-RING	1
22	KB03013	GASKET	1
23	KB16006	ADAPTER BLOCK PCV MOUNT	1
24	M8X1.25X55	HEX HEAD SCREW M8X1.25X 55 MM LG	3
25	M08FW / M8X8.4X16	PLAIN WASHER M8 8.4 MM ID X 16 MM OD	3
26	KB08003	BRACKET, AIR CLEANER MOUNT	1
27	M10X35	HHCS METRIC	2
28	M10FW	10 MM FLATWASHER ZINC-PLATED	2
29	KB00007	SEE COIL BRACKET ASSEMBLY PAGE	1
30	M08FW	SEE COIL BRACKET ASSEMBLY PAGE	1
31	NA	BREATHER ASSEMBLY (NOT AVAILABLE)	1
32	KB09053	ROCKER COVER ASSEMBLY	1
33	M8X1.25X110-8.8	HEX BOLT, M8X1.25X110-8.8 HHCS (HEX BOLT)	8
34	KB03005	VALVE COVER GASKET	1
35	NA	DEFLECTOR PLATE (NOT AVAILABLE)	2
36	1/8X3/8-IN	1/8X3/8-INCH (RIVET)	8
	KB50021	ELEMENT, REPLACEMENT AIR FILTER (NOT SHOWN)	1
	153789	GAUGE, AIR FILTER (OPTIONAL)	1
	KB17002	CAP, RAIN, AIR CLEANER	1

Fan Drive Assembly



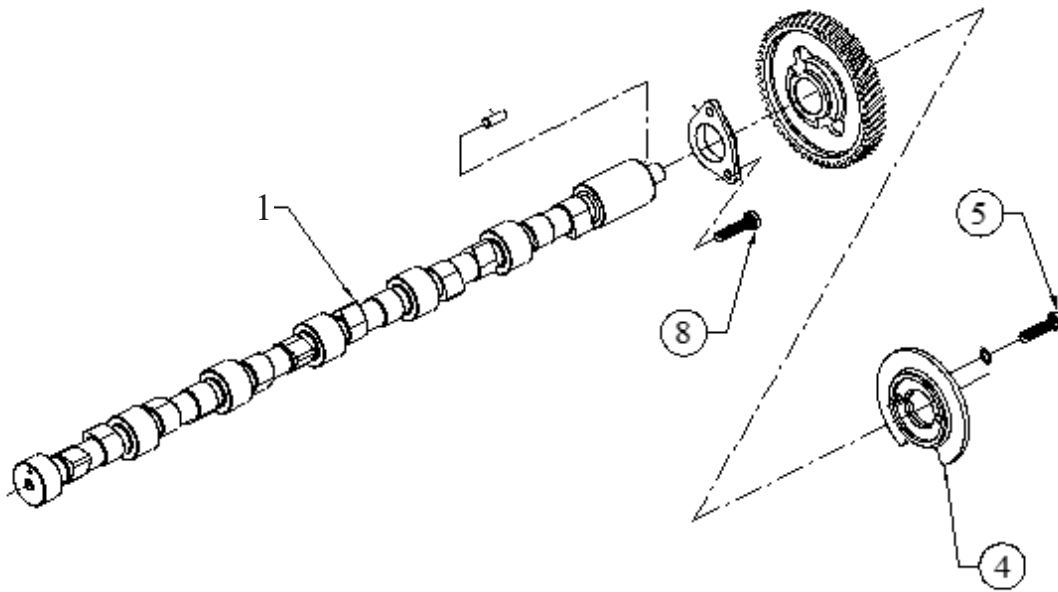
Fan Drive Assembly			
ITEM NO.	PART NO.	DESCRIPTION	QTY.
1	KB13002	FAN DRIVE ASSEMBLY	1
8	KB08010	BRACKET, FAN DRIVE	1
14	KB04001	BELT, FAN DRIVE (X2)	1
15	KB50026	FAN DRIVE PULLEY	1

Intake Manifold



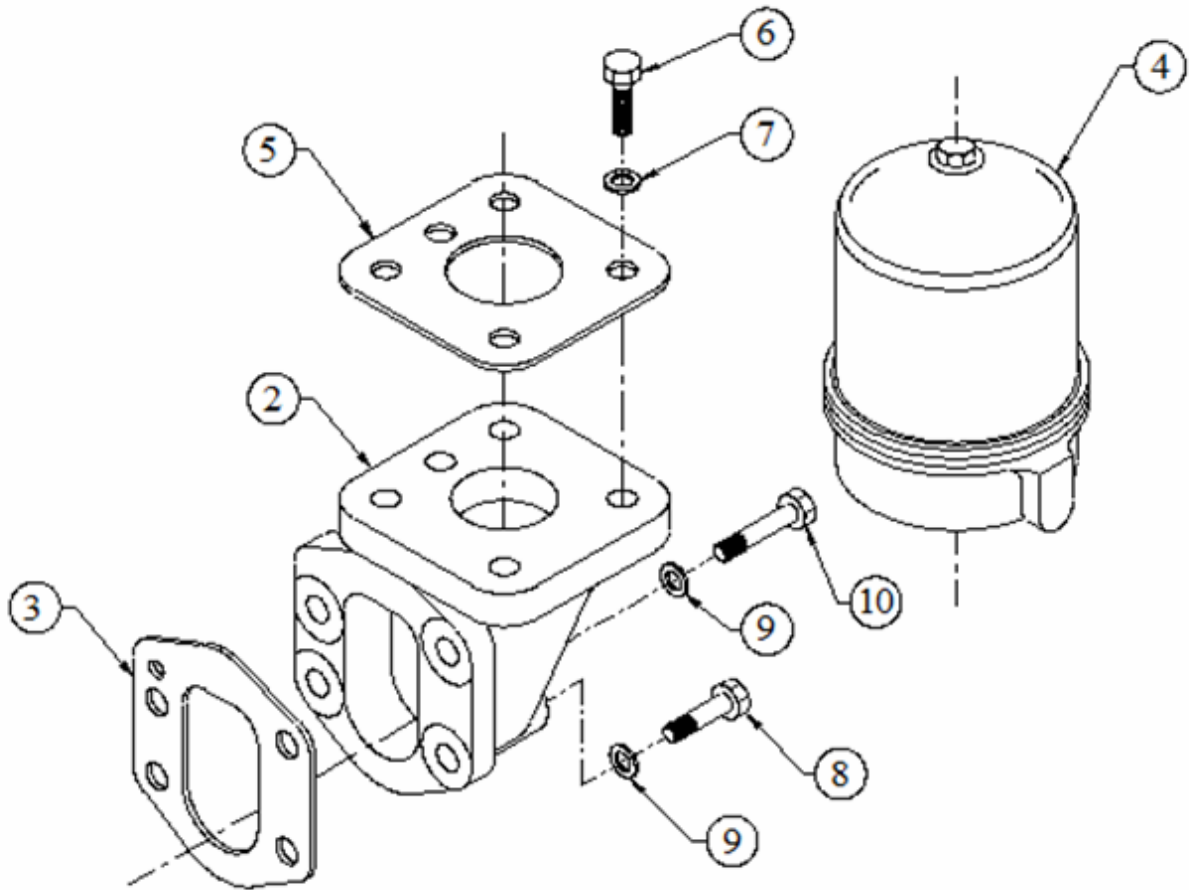
Intake Manifold			
ITEM NO.	PART NO.	DESCRIPTION	QTY.
1	KB09010	INTAKE MANIFOLD	1
2	KB03001	GASKET, INTAKE MANIFOLD	2
3	KB00001	SCREW, COIL BAR LONG 120 MM	5
4	M8X30	M8X30 HEX HEAD CAP SCREW	3
5	M08FW	PLAIN MACHINED WASHER - M8	12
6	KB00007 / M8X1.25X130	BOLT, COIL BRACKET M8 1.25X130 (8.8) 130 MM, G-DRIVE	1
7	WD06005	SENSOR MANIFOLD PRESSURE (SEE SENSOR PAGE)	1
8	M8X120	HEX HEAD CAP SCREW (SEE COIL BRACKET PAGE)	2
9	M8X65	HEX HEAD CAP SCREW (SEE COIL BRACKET PAGE)	1
10	KB16004	SPACER, COIL BRACKET, SHORT	4
11	KB16003	SPACER, COIL BRACKET, LONG	2
	KB08000	BRACKET, COIL	2

Camshaft, Thrust Washer and Gear



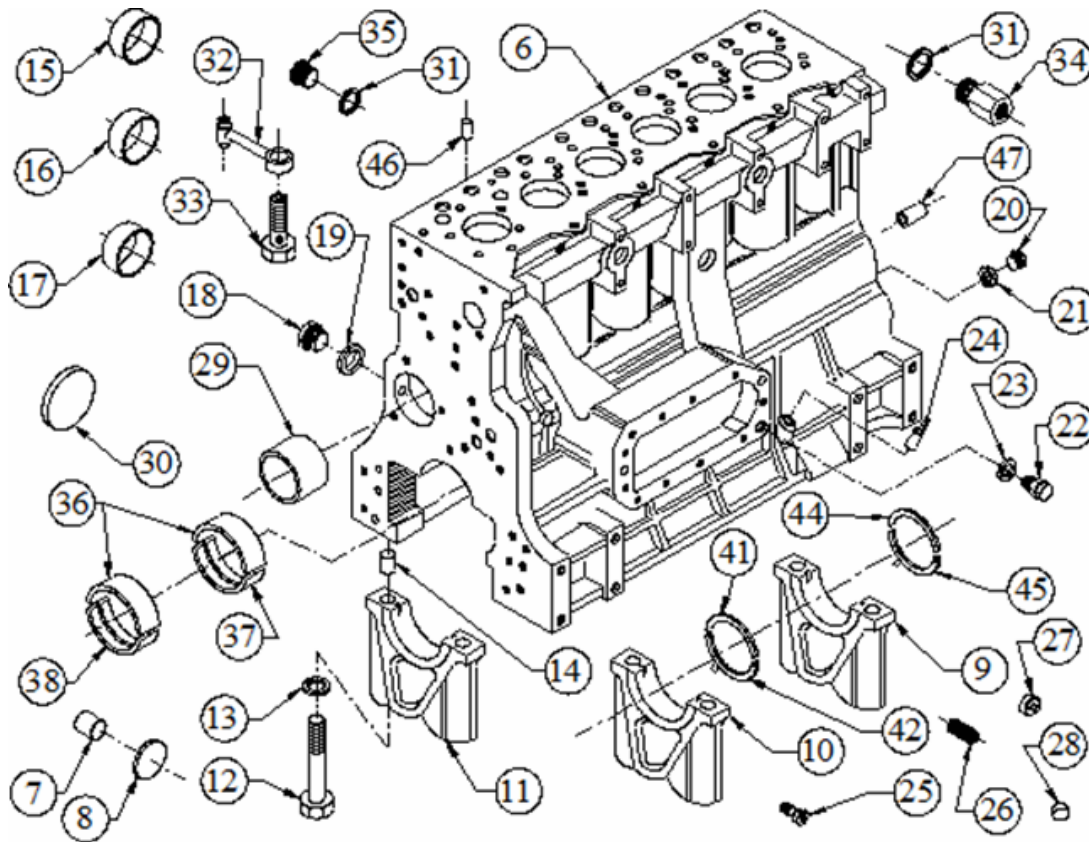
Camshaft, Thrust Washer and Gear			
ITEM NO.	PART NO.	DESCRIPTION	QTY.
1	KB09014	CAMSHAFT, THRUST PLATE, CAM GEAR SUBASSEMBLY	1
4	KB09000	RELUCTOR WHEEL (6+1), NS	1
5	M8	PLAIN MACHINED WASHER - M8	2
6	NSS	DOWEL PIN (NOT SOLD SEPARATELY)	1
8	M8X1.25X20-8.8	BOLT - M8X1.25X20 - 8.8	2

Centrifuge Oil Filter



Centrifuge Oil Filter			
ITEM NO.	PART NO.	DESCRIPTION	QTY.
2	KB16002	ADAPTER (FOR CENTRIFUGAL OIL FILTER)	1
3	KB03005	GASKET (FOR CENTRIFUGAL FILTER ADAPTER TO BLOCK)	1
4	KA50375	CENTRIFUGAL FILTER	1
5	KA03011	GASKET, CENTRIFUGAL FILTER TO BLOCK	1
6	M8X30	SCREW – M8X1.25X30 – 8.8	4
7	M8	PLAIN MACHINED WASHER - M8	4
8	M8X1.25X55	BOLT - M8X1.25X55 - 8.8	2
9	PLAIN MACHINED WASHER - M8	PLAIN MACHINED WASHER - M8	4
10	M8X1.25X75	BOLT - M8X1.25X75 - 8.8	2
NS	KB03021	O-RING, CENTRIFUGAL FILTER	1

Crankcase

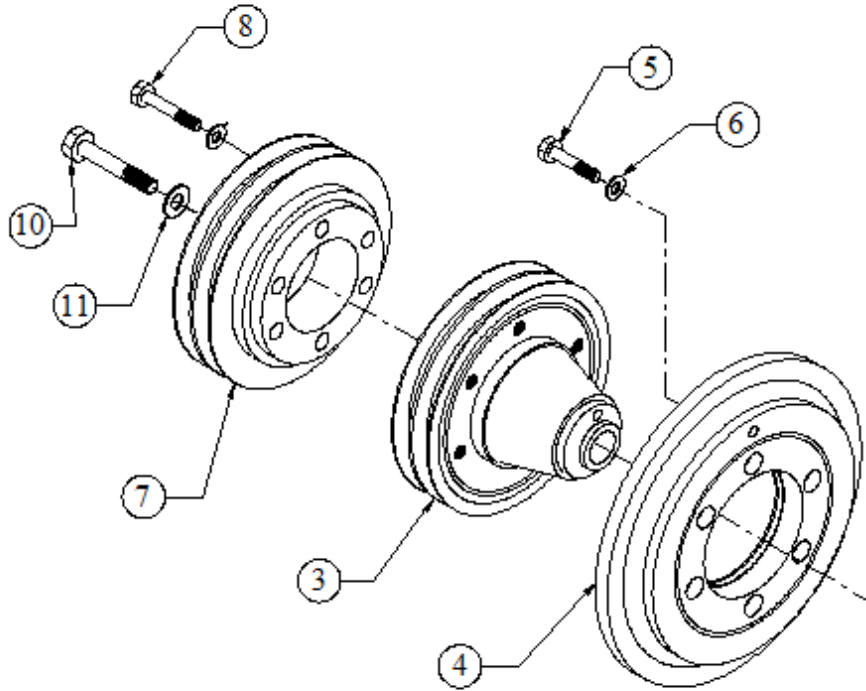


Crankcase			
ITEM NO.	PART NO.	DESCRIPTION	QTY.
1	KB05058	MONOBLOCK CRANKCASE WITHOUT BEARING	1
2	KB50053	CRANKCASE AND BEARING CAP ASSEMBLY	1
3		MONOBLOCK CRANKCASE WITH SEALING CAP	
4		MONOBLOCK CRANKCASE SUBASSEMBLY	1
5		MONOBLOCK CRANKCASE SF P2 THRUST WASHER	1
6		MONOBLOCK CRANKCASE	1
7		CRANKSHAFT PLUG, ALUMINIUM	2
8		WASHER (FOR ALUMINIUM PLUG)	2
9		MAIN BEARING CAP (FLYWHEEL END)	1

Crankcase

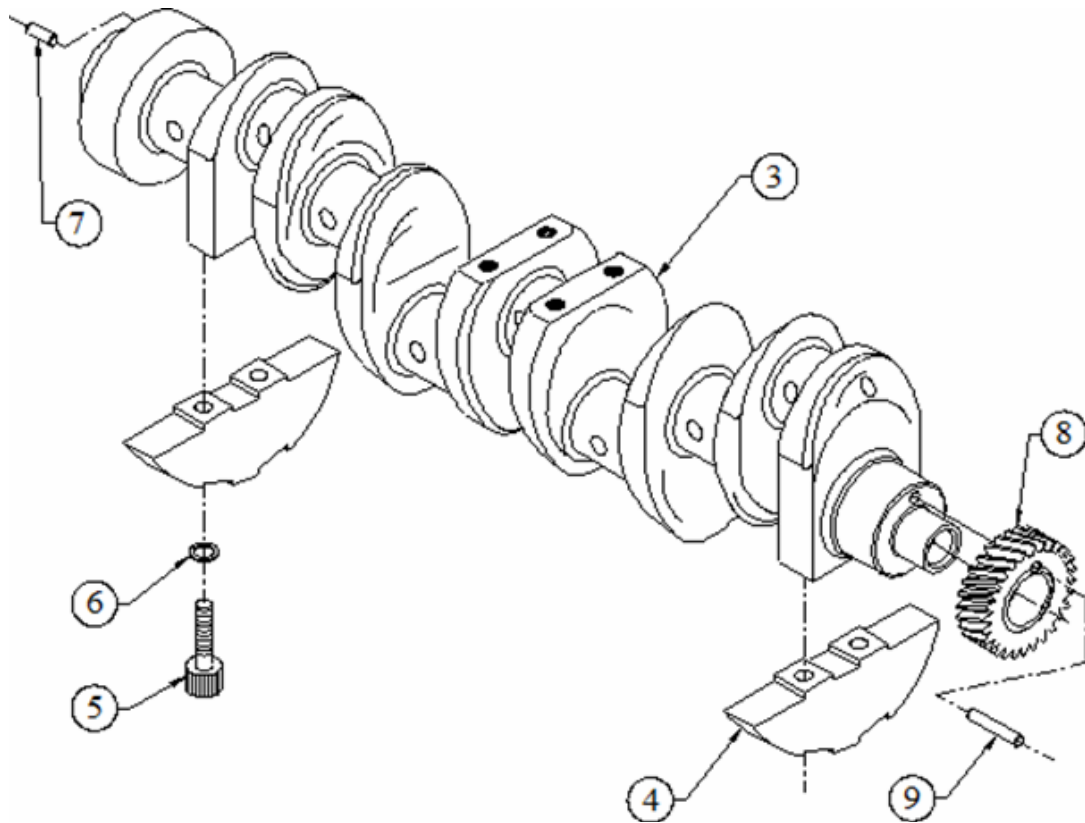
ITEM NO.	PART NO.	DESCRIPTION	QTY.
10		MAIN BEARING CAP	5
11		MAIN BEARING CAP (FINISH) G.E.	1
12	M14X2X128	BOLT (FOR MB CAP (HEX HEAD) M14X2X128)	14
13		SPECIAL WASHER (FOR M14 BOLT)	14
14		HOLLOW DOWEL (MAIN BEARING CAP)	14
15		SEALING CAP	4
16		SEALING CAP (40 DIN 443)	3
17		SEALING CAP	4
18		CORE PLUG	1
19	12X18	COPPER WASHER (12X18)	1
20	20X24	PRECOATED SCREW PLUG	2
21		COPPER WASHER (20X24)	2
22		SCREW PLUG	2
23	16X22	COPPER WASHER (16X22)	2
24		DIPSTICK GUIDE	1
25		BANJO BOLT	1
26		SPRING	1
27		CLOSING BUTTON (FOR OIL SPRAY BANJO BOLT)	1
28		STEEL BALL	1
29	G-927-KP6	CAM BEARING KIT (STD)	1
30		DISC PLUG	1
31	14X20	COPPER WASHER (14X20)	1
32	KB09034	PISTON COOLING NOZZLE ASSEMBLY (FOR KP6 ENGINE)	6
33		SUBASSEMBLY, SPECIAL BANJO BOLT (FOR OIL SPRAY NOZZLE)	6
35		CORE PLUG, HEXAGONAL SOCKET HEAD (DIN-908)	5
36		6H.001.18.0.00 – 6R 1080 MAIN TOP	7
37		6H.001.19.0.00 – 6R 1080 MAIN BOTTOM	6
38		6H.001.02.0.00 – 6R 1080 MAIN GE BOTTOM	1
39	KB09050	THRUST WASHER SET OF INNER AND OUTER PAIRS	1
40		THRUST WASHER PAIR (INNER)	1
41		6H.001.09.0.00 – 6R 1080 THRUST WASHER	1
42		6H.001.11.0.00 – 6R 1080 THRUST WASHER	1
43		THRUST WASHER PAIR (OUTER)	1
44		6H.001.12.0.00 – 6R 1080 THRUST WASHER	1
45		6H.001.13.0.00 – 6R 1080 THRUST WASHER	1
46		DOWEL	2
47		SPRING DOWEL PIN	2

Crank Pulley



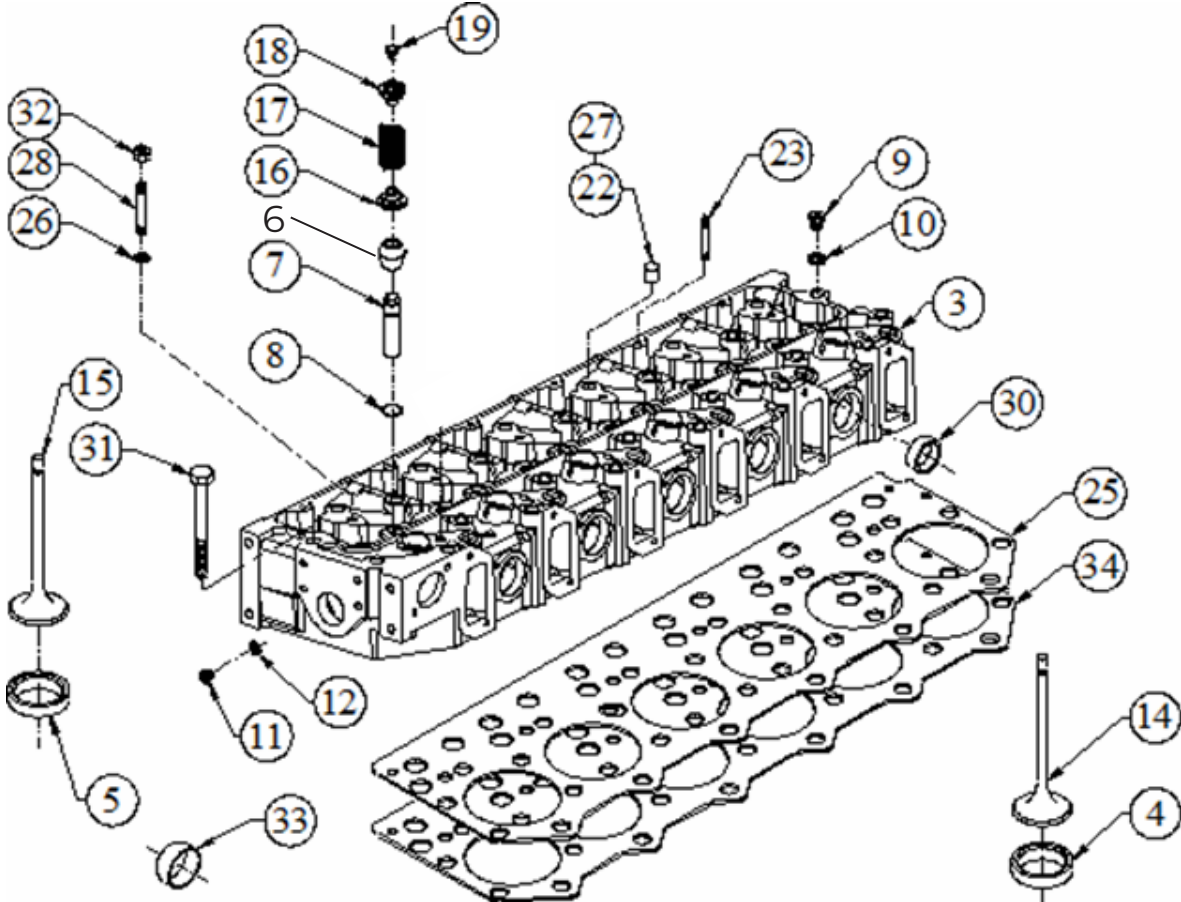
Crank Pulley			
ITEM NO.	PART NO.	DESCRIPTION	QTY.
3	KB09057	CRANK PULLEY W.P. / ALT.	1
4	KB09056	DAMPER	1
5	M12X1.75X25-8.8	BOLT - M12X1.75X25 - 8.8	6
6	M12 WASHER	WASHER	6
7	KB09072	FAN DRIVE PULLEY	1
8	M8X1.25X45-8.8	BOLT - M8X1.25X45 - 8.8	6
10	KD00008	CRANK PULLEY BOLT, UPDATED	1
11	KD19000	WASHER (FOR CRANK PULLEY BOLT), UPDATED	1

Crankshaft



Crankshaft			
ITEM NO.	PART NO.	DESCRIPTION	QTY.
1	KB09001	CRANKSHAFT AND CRANK GEAR ASSEMBLY	1
5	KB09002	BALANCE WT. SOCKET HEAD BOLT - M12 X 1.75 X 60 -10.9	12
6	KB19000	BALANCE WT. WASHER	12
7	KB09004	FLYWHEEL DOWEL PIN 8 X 25	1
9	KB0900	DOWEL PIN CRANK GEAR 8 X 60	1
NOT SHOWN	KB09036	DEFLECTOR (FOR OIL SEAL)	1

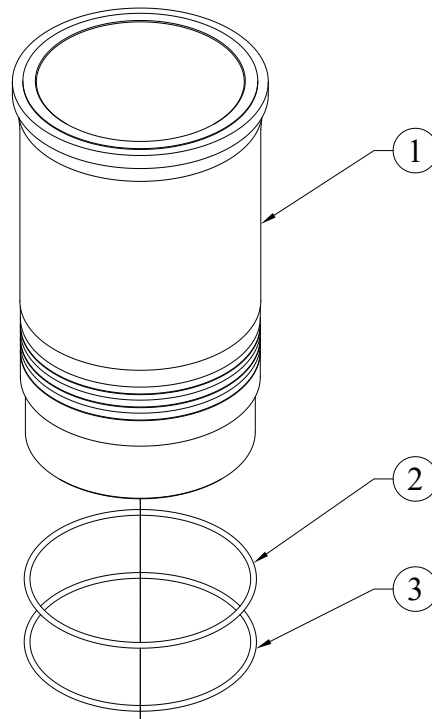
Cylinder Head



Cylinder Head

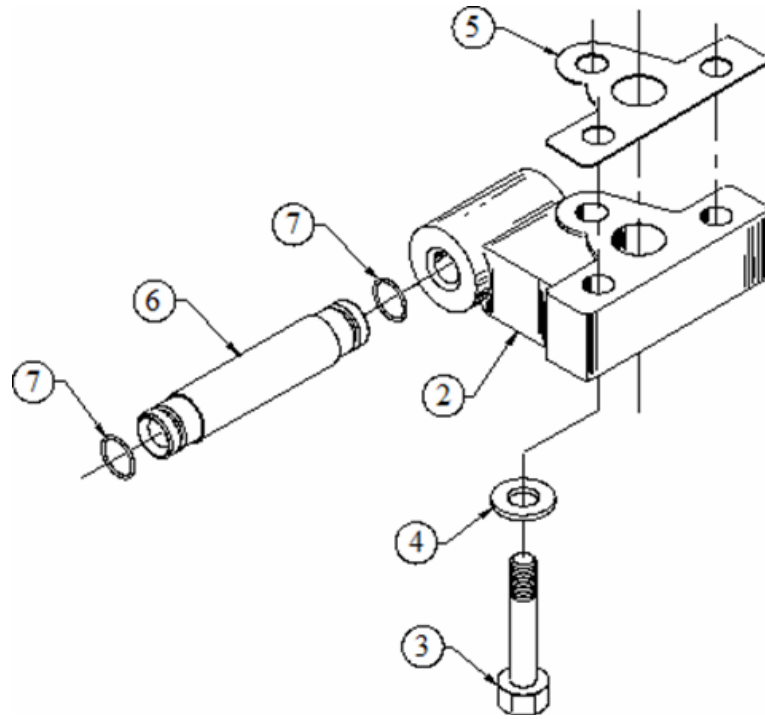
ITEM NO.	PART NO.	DESCRIPTION	QTY.
3	KB09015	GAS CYLINDER HEAD ASSEMBLY	1
4	KD05036	VALVE SEAT INSERT (INLET) (STELLITE)	6
5	KB09028	VALVE SEAT INSERT (EXHAUST) (STELLITE)	6
6	KB09047	VALVE SEAL	12
7	KB09044	SEMI-FINISH VALVE GUIDE AND SNAP RING ASSEMBLY	12
9		CORE PLUG, HEXAGONAL SOCKET HEAD (DIN-908)	1
10	18X22	COPPER WASHER (18X22)	
11		CORE PLUG	
12	26X32	COPPER WASHER (26X32)	
14	KD05039	INTAKE VALVE (STELLITE)	6
15	KB09026	EXHAUST VALVE (STELLITE)	6
16	KB09045	CUP (FOR VALVE SPRING)	12
17	KB09048	VALVE SPRING	12
18	KB09049	VALVE CUP	12
19	KB09046	VALVE COLLET RETAINER	24
25	KB03002	HEAD GASKET-1.22 MM THICK	1
26		PLAIN MACHINED WASHER - M10	12
28	M10X1.5X70	STUD - M10X1.5X70 - 8.8	6
29	M10X1.5X50	STUD - M10X1.5X50 - 8.8	6
30	KA50426	FREEZE PLUG CUP-STYLE	5
31	KB09016	BOLT (FOR CYLINDER HEAD)	26
33	KB17003	CORE PLUG	1

Cylinder Liner



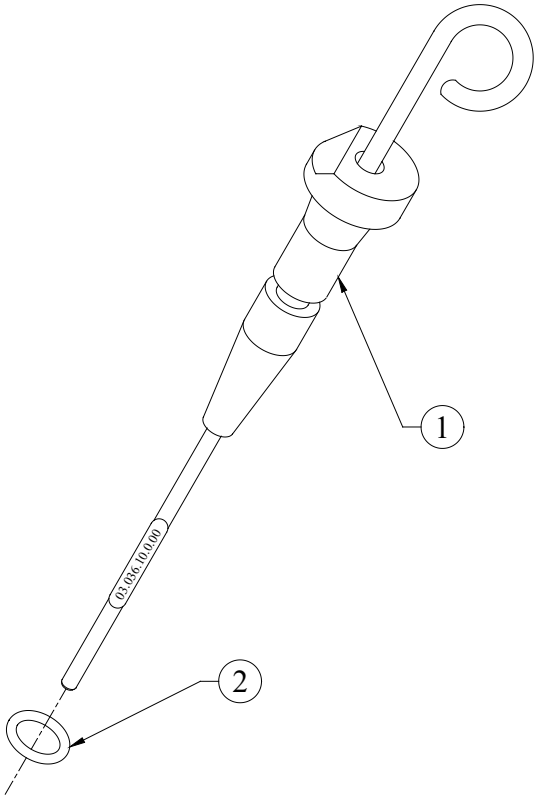
Cylinder Liner			
ITEM NO.	PART NO.	DESCRIPTION	QTY.
1	KB09006	CYLINDER WITH O-RINGS	1
2	KB09012	O-RING (FOR CYLINDER LINER, TOP)	2
3	KB09013	O-RING (FOR CYLINDER LINER, VITON MATERIAL, BOTTOM)	1

Delivery Body



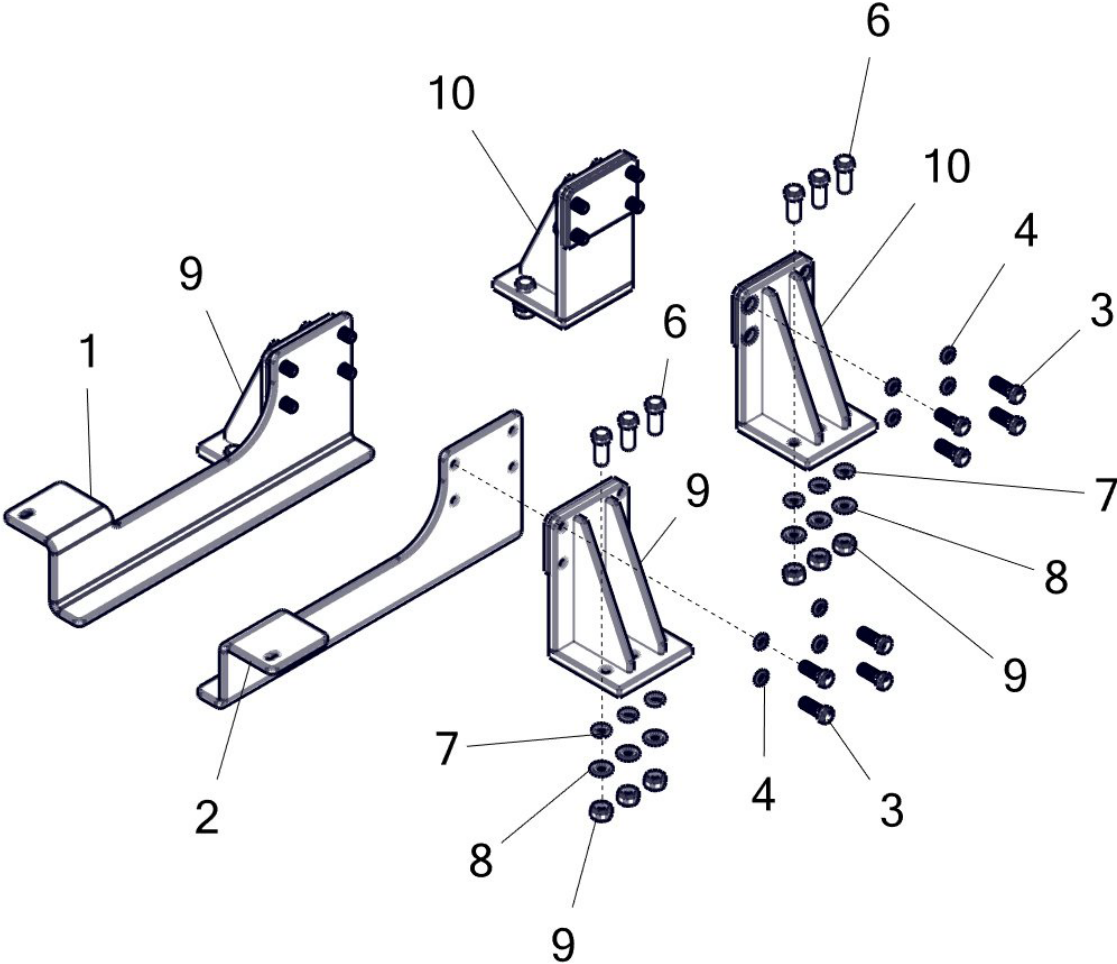
Delivery Body			
ITEM NO.	PART NO.	DESCRIPTION	QTY.
2	KB50014	DELIVERY BODY	1
3	M8X1.25X45	BOLT - M8X1.25X45 - 8.8	3
4	PLAIN MACHINED WASHER - M8	PLAIN MACHINED WASHER - M8	3
5	KB03014	GASKET, DELIVERY BODY	1
6	KB50015	DELIVERY TUBE	1
7	KB03015	O-RING (FOR DELIVERY TUBE)	2

Dipstick



Dipstick			
ITEM NO.	PART NO.	DESCRIPTION	QTY.
1	KB09029	DIPSTICK KP6	1
2	KB09030	O-RING - DIPSTICK	1

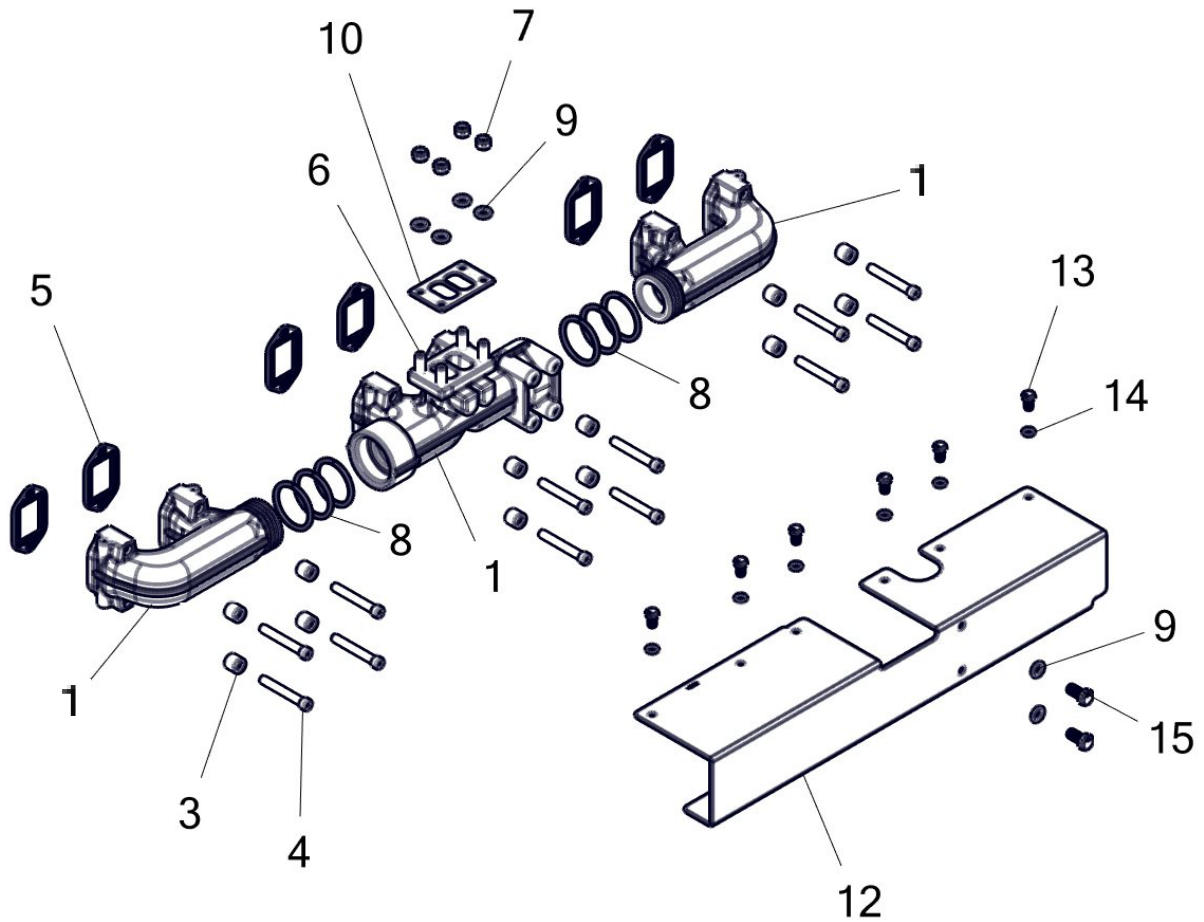
Engine Support



Engine Support			
ITEM NO.	PART NO.	DESCRIPTION	QTY.
1	KB50056	BRACKET, RADIATOR G-DRIVE RIGHT	1
2	KB50057	BRACKET, RADIATOR G-DRIVE LEFT	1
3	M14X50-G-DRIVE	M14 X 45 - OIL FIELD (POWER UNITS) MODELS (16)	8
4	M14FW	PLAIN WASHER M14	16
5	7A-5/811X13/4	CAP SCREW, HEX HEAD	12
6	1A-5/8	LOCKWASHER-PLATED	12
7	1N-5/8	FLAT WASHER NARROW	12
8	25A-5/811	NUT HEX HEAVY	12
9	KB50009	BRACKET, ENGINE MOUNT, FRONT	2
10	KB50010	BRACKET, ENGINE MOUNT, REAR (POWER UNITS)	2

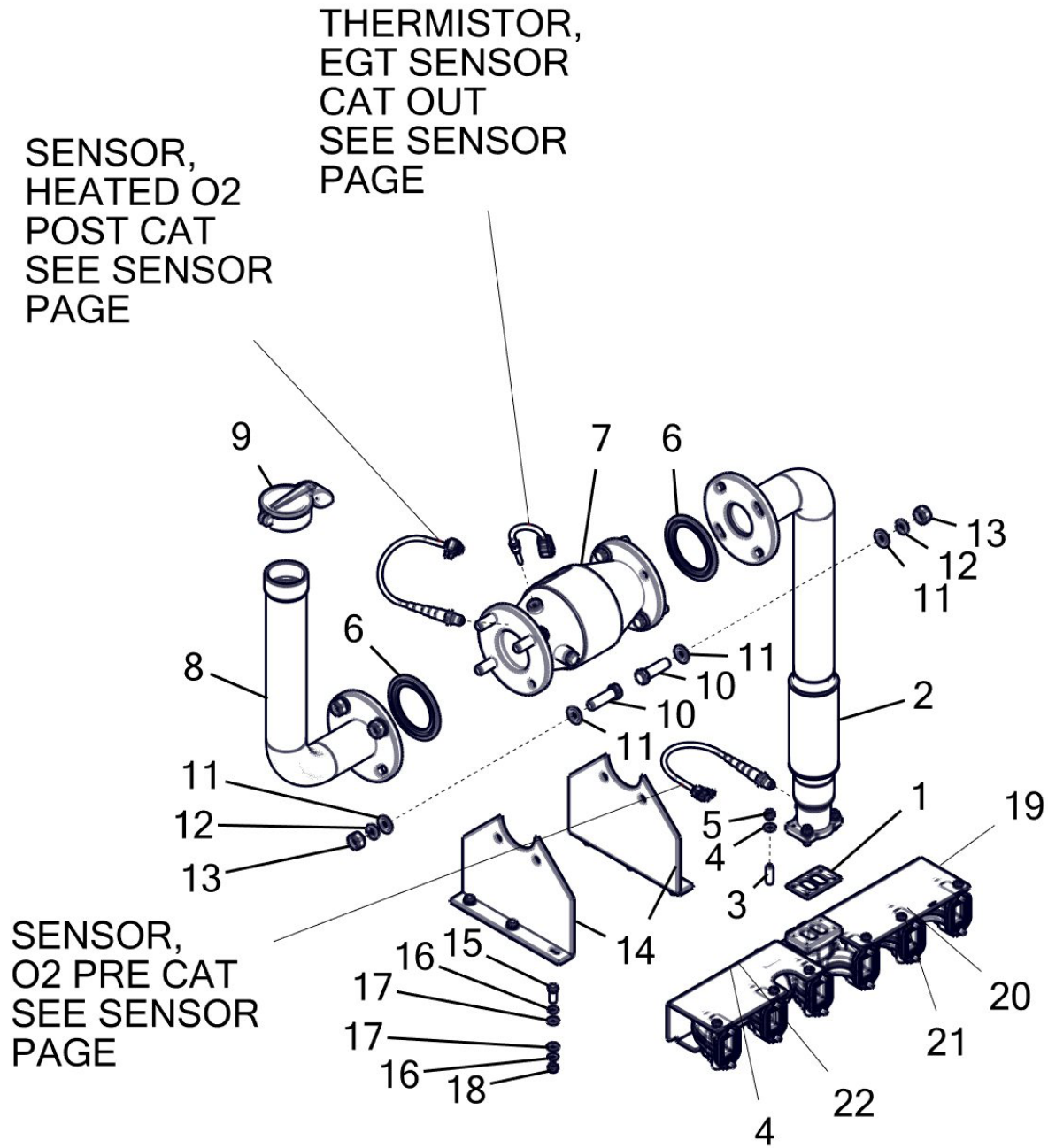
THIS PAGE INTENTIONALLY LEFT BLANK

Exhaust Manifold



Exhaust Manifold			
ITEM NO.	PART NO.	DESCRIPTION	QTY.
1	KB09011	EXHAUST MANIFOLD ASSEMBLY	1
3	KB16001	SPACER, EXHAUST MANIFOLD	12
4	M8X1.25X75-8.8	SOCKET HEAD SCREW-M8X1.25X75-8.8	12
5	KB03004	GASKET, HEAD TO EXHAUST MANIFOLD S.S.	6
6	M10X1.5X40	STUD METRIC	4
7	M10NF	HEX NUT ZINC-PLATED	4
8	KB09069	COMPRESSION RING	6 or 8
9	M10FW	PLAIN MACHINED WASHER-M10	6
10	KB03008	GASKET, OUTLET FLANGE S.S. (6 ONLY)	1
11	KC03000	ADAPTER (FOR SILENCER)	1
12	KB50023	HEAT SHIELD KP6	1
13	M8X1.25X16	HEX HEAD CAP SCREW	6
14	M08FW	M8 PLAIN WASHER	6
15	M10X25	HEX HEAD CAP SCREW	2

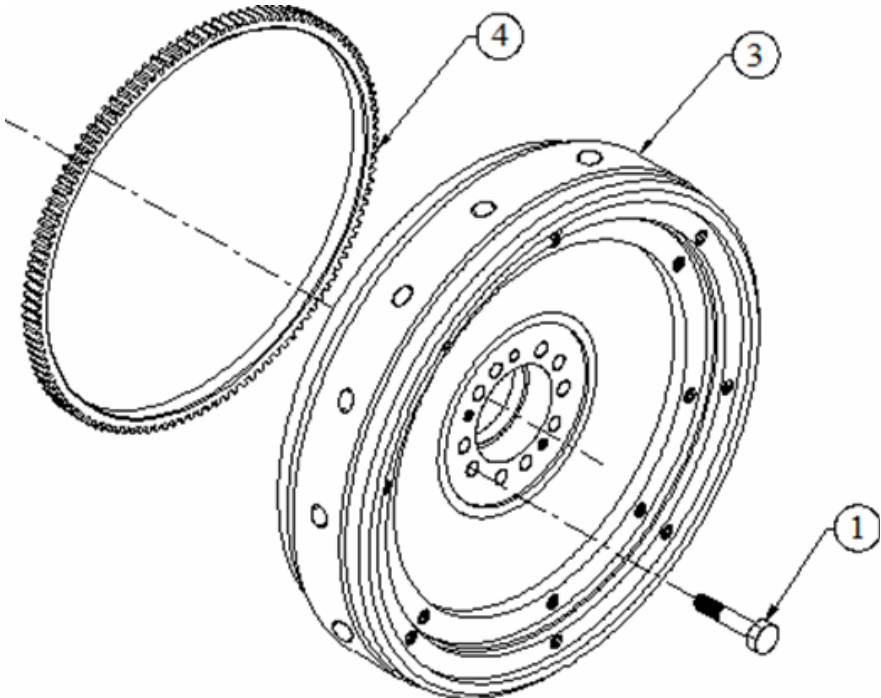
Exhaust System



Exhaust System

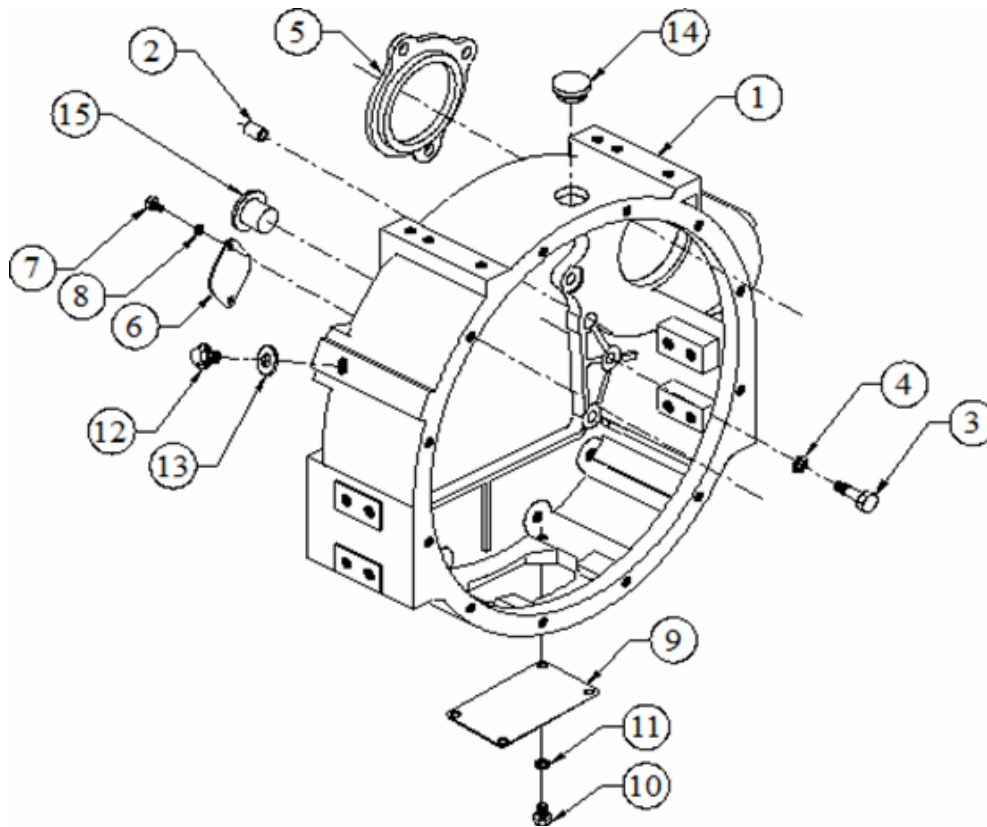
ITEM NO.	PART NO.	DESCRIPTION	QTY.
1	KB03008	GASKET,EXHAUST MANIFOLD OUTLET FLANGE,SS	1
2	KB50042 / 2.5X3.0	EXHAUST PIPE, WITH FLEX JOINT 2.5 X 3.0 INCH	1
3	M10X1.5X40	STUD METRIC	4
4	M10FW	WASHER, PLAIN	6
5	M10NF	10 MM HEX NUT ZINC-PLATED	4
6	AFR-GASKET	FLANGE GASKET (FOR AFR/CATALYST)	2
7	DDC70031	CATALYST, INTEGRAL, 7.0-INCH SINGLE	1
8	CAT OUTLET	OUTLET TAIL PIPE (FOR CATALYST)	1
9	155938T	RAIN CAP	1
10	7A-5/811X21/2	CAP SCREW HEX HEAD	8
11	1N-5/8	WASHER FLAT SAE-PLATED	16
12	1A-5/8	LOCK WASHER-PLATED	8
13	25A-5/8-11	NUT HEX HEAVY	8
14	152802A	BRACKET, MOUNT, INTEGRAL CAT	2
15	7A-3/8X16X1	SCREW, CAP, HEX HEAD, 3/8 INCH-16 X 1-INCH	6
16	1N-3/8	WASHER FLAT SAE-PLATED	12
17	1A-3/8	WASHER, LOCK, 3/8-INCH	12
18	29A-3/816	NUT HEX HEAVY	6
19	KB50023	HEAT SHIELD	1
20		M8X1.25X16 HEX HEAD CAP SCREW	6
21	M08FW	M8 PLAIN WASHER	6
22	M10X25	M10X25 HEX HEAD CAP SCREW	2
28	KB	STUB PIPE (FOR G DRIVE) (NOT SHOWN)	1
29	KA17007 / M12X1.25	PLUG M12X1.25 HEX	1
30	KA17001 / 18MX1.5	PLUG 18MX1.5	1
31	HP-3000-1/2	HEX PLUG, 1/2-INCH, SA105, 3-6M	2
32	JB50027	OPTIONAL MUFFLER (NOT SHOWN)	

Flywheel



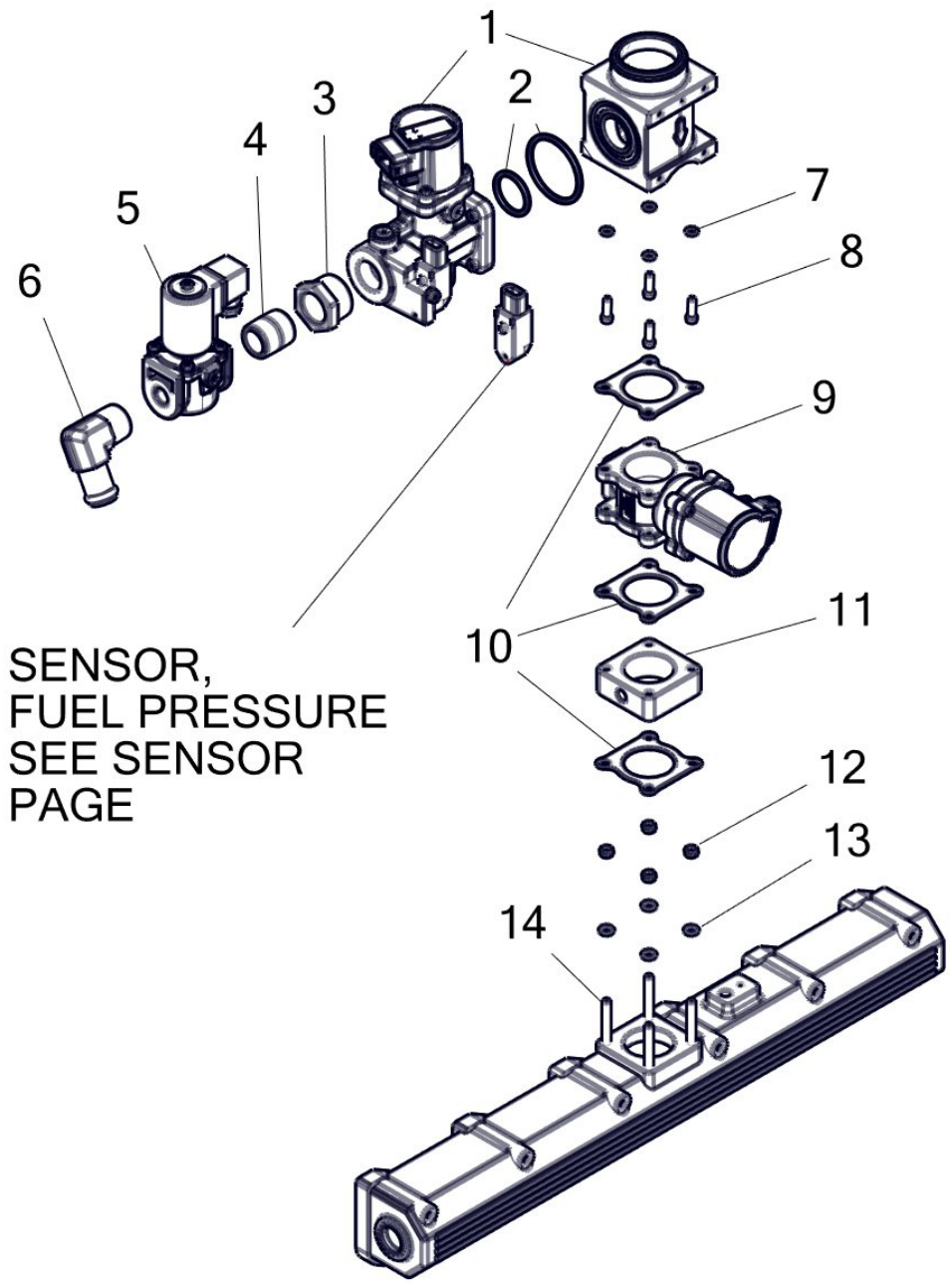
Flywheel			
ITEM NO.	PART NO.	DESCRIPTION	QTY.
1	KB09008 / M10X35	FLYWHEEL BOLT (M10 X 35)	10
3	KB09009 3+1	FLYWHEEL ASSEMBLY, 3+1, 121 TEETH	1

Flywheel Housing



Flywheel Housing			
ITEM NO.	PART NO.	DESCRIPTION	QTY.
1	KB09033	FLYWHEEL HOUSING (SAE 3)	1
2		HOLLOW DOWEL (16 DIA.)	2
3	M10X30-10.9	BOLT-M10X30-10.9	10
4		WASHER M10	10
5	KB09070	FLANGE (FOR STARTER)	1
6		BLANKING PLATE (FOR FLYWHEEL HOUSING)	1
7	M6X1X12-8.8	SCREW - M6X1X12 - 8.8	2
8		PLAIN MACHINED WASHER - M6	2
9		COVER (FOR FLYWHEEL HOUSING)	1
10	M8X1.25X16-8.8	SCREW - M8X1.25X16 - 8.8	4
11		PLAIN MACHINED WASHER - M8	4
12	16X1.5	CORE PLUG 16X1.5	1
13	17X23	COPPER WASHER (17X23)	1
14		RUBBER CAP	1
15		SHIPPING PLUG	1

Fuel System

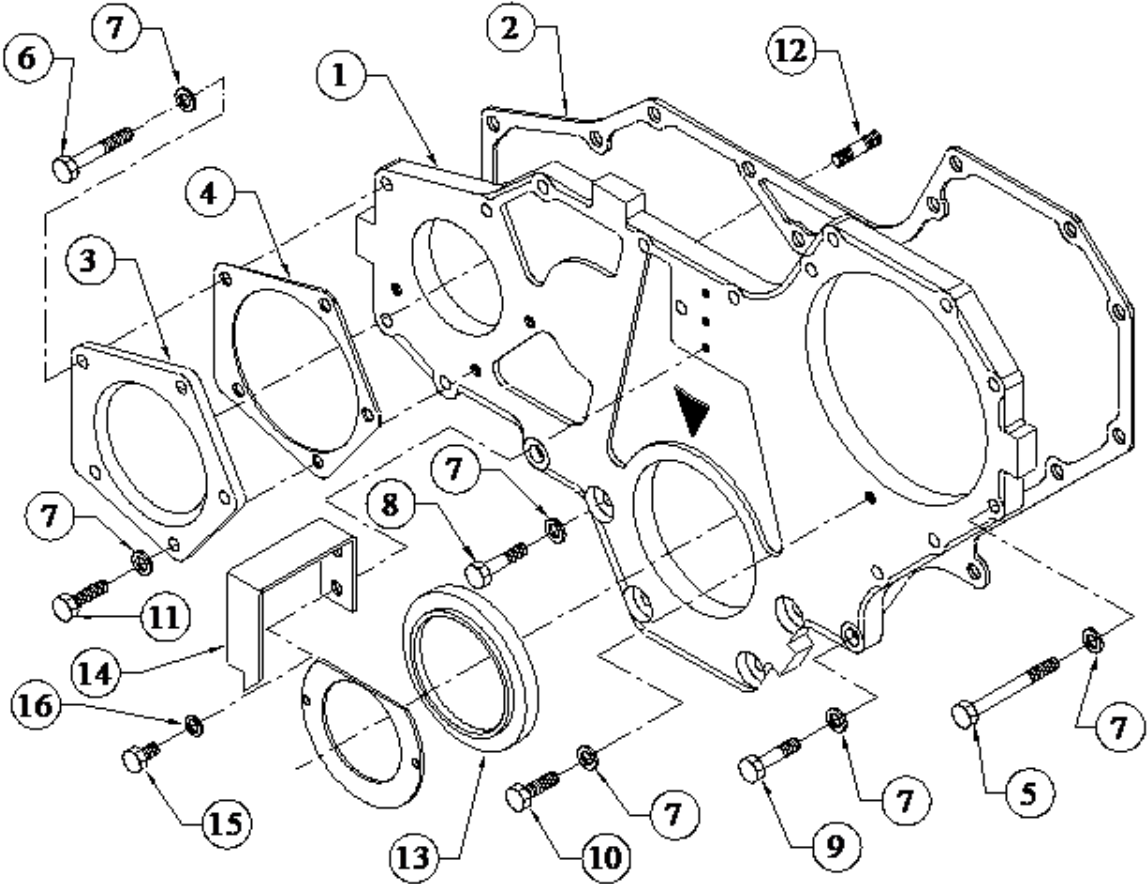


SENSOR,
FUEL PRESSURE
SEE SENSOR
PAGE

Fuel System

ITEM NO.	PART NO.	DESCRIPTION	QTY.
1	WD06014	VALVE, 24 MM-270 EFR / 70 MM OPEN MIXER	1
2	WD06008	KIT, PRESS SENSOR WITH O-RINGS (FOR PG+EFR)	1
3	PF9-1 1/4X1	PIPE BUSHING 1-1/4X1	1
4	PF2-1	PIPE NIPPLE 1XCLOSE	1
5	KB14000	LOCK-OFF VALVE, NG 12 V (ODE)	1
6	WR18001	FITTING, 90 DEG. 1-INCH NPT MALE X 1-INCH HOSE BARB	1
7	M5WASH	WASHER 5 MM	4
8	KD00001 / M5X20-1.0	SCREW, SOCKET HEAD (M5 X 20 MM (1.0))	4
9	WD06001	THROTTLE BODY 50 MM	1
10	8404-G	THROTTLE TO BODY GASKET	3
11	KB16007	SPACER, INTAKE TO THROTTLE BODY	1
12	M06NF	METRIC NUT	4
13	M06FW	6 MM FLATWASHER ZINC-PLATED	4
14	KB01000 / M6X60	STUD, M6 X 60 DOUBLE-ENDED	4

Front Cover

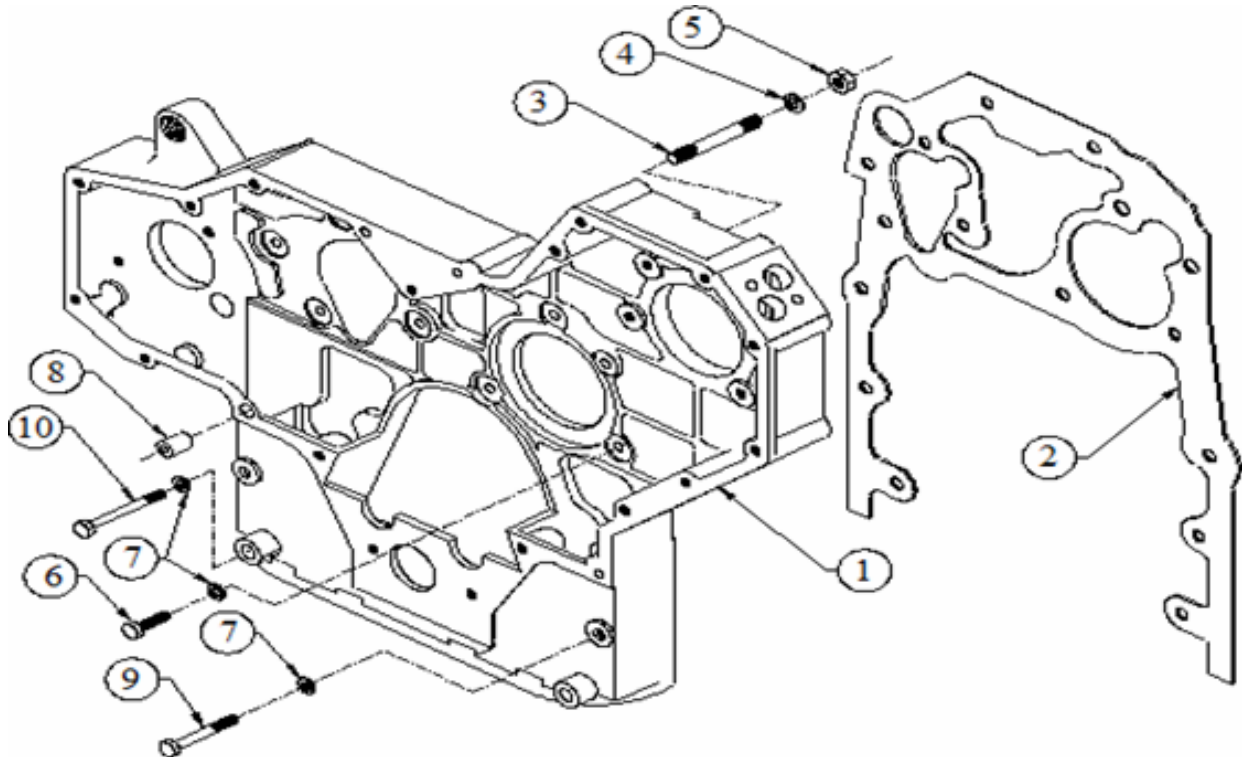


Front Cover

ITEM NO.	PART NO.	DESCRIPTION	QTY.
1	KB50006	FRONT GEAR COVER	1
3	KB50007	PLATE, FRONT COVER BLOCK OFF	1
4	KB03009	GASKET, BLOCK OFF PLATE FRONT COVER	1
5	BOLT - M8X1.25X80-8.8	BOLT - M8X1.25X80 - 8.8	2
6	BOLT - M8X1.25X65-8.8	BOLT - M8X1.25X65 - 8.8	2
7	PLAIN MACHINED WASHER - M8	PLAIN MACHINED WASHER - M8	21
8	BOLT - M8X1.25X30-8.8	BOLT - M8X1.25X30 - 8.8	2
9	BOLT - M8X1.25X40-8.8	BOLT - M8X1.25X40 - 8.8	2
10	SCREW - M8X1.25X25-8.8	SCREW - M8X1.25X25 - 8.8	5
11	SCREW - M8X1.25X35-8.8	SCREW - M8X1.25X35 - 8.8	5
12	STUD - M8X1.25X20-8.8	STUD - M8X1.25X20 - 8.8	3
13	KB09039 / 80X105X12	OIL SEAL, CRANKSHAFT FRONT (80X105X12)	1
14		TIMING POINTER	1
15	SCREW - M6X1X12-8.8	SCREW - M6X1X12 - 8.8	2
16	PLAIN MACHINED WASHER - M6	PLAIN MACHINED WASHER - M6	2
17		OIL DEFLECTOR PLATE	1
18	KB500011	COVER, PUMP GEAR	1
19	KB03010	GASKET, PUMP GEAR COVER	1

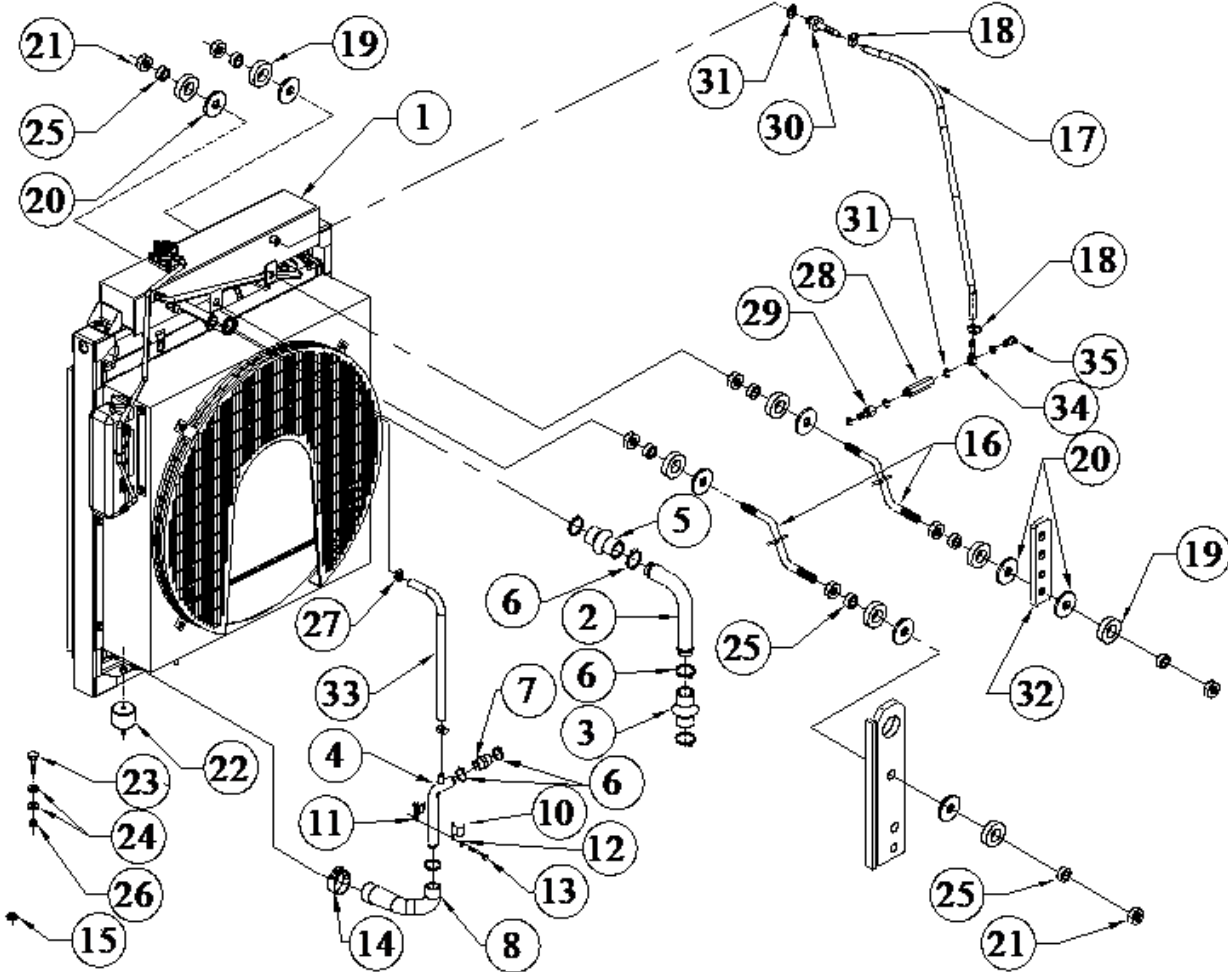
THIS PAGE INTENTIONALLY LEFT BLANK

Gear Casing



Gear Casing			
ITEM NO.	PART NO.	DESCRIPTION	QTY.
1	KB09071	GEAR CASING	1
2	KB03020	GASKET, GEAR CASING	1
3	M10X1.5X30-8.8	STUD - M10X1.5X30 - 8.8	4
4	M10	WASHER (FOR PUMP MOUNTING) - M10	4
5	M10X1.5-8	NUT - M10X1.5 - GRADE 8	4
6	M8X1.25X25-8.8	SCREW - M8X1.25X25 - 8.8	8
7	M8	PLAIN MACHINED WASHER - M8	14
8	KB09073	DOWEL, GEAR CASING	2
9	M8X1.25X65-8.8	BOLT - M8X1.25X65 - 8.8	2
10	M8X1.25X80-8.8	BOLT - M8X1.25X80 - 8.8	2

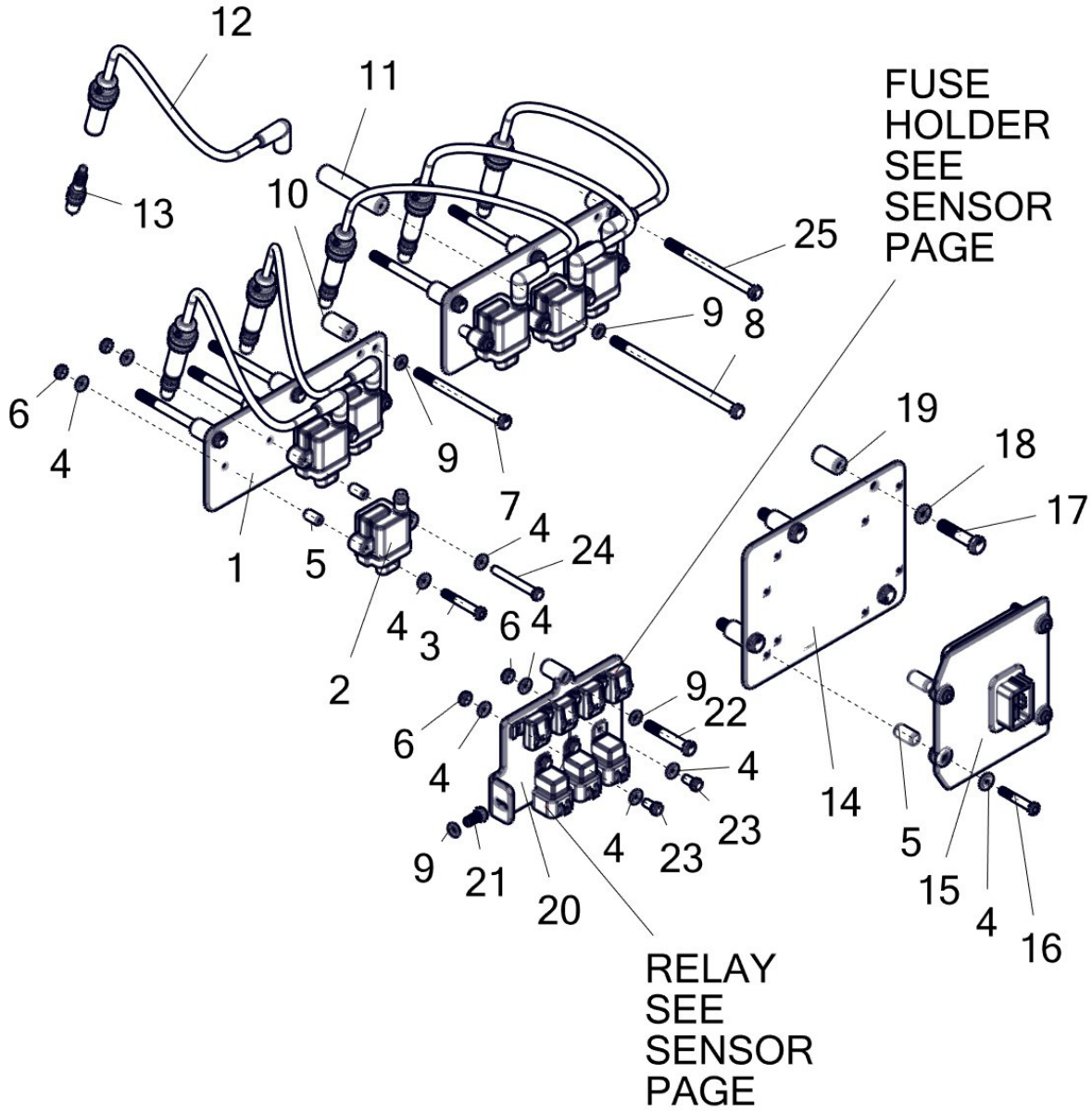
Radiator



Radiator / Cooling System

ITEM NO.	PART NO.	DESCRIPTION	QTY.
1	KB50001	RADIATOR	1
2	KB05006	TUBE, UPPER THERMOSTAT HOUSING TO RADIATOR	1
3	KB05001	HOSE, UPPER RADIATOR INLET	1
4	KB05007	TUBE, LOWER RADIATOR TO WATER PUMP INLET	1
5	KB05002	HOSE, LOWER RADIATOR TO WP PIPE	1
6		HOSE T-BOLT CLAMP (DIA. 55-65)	7
7	KB05004	HOSE, UPPER THERMOSTAT HOUSING OUT	1
8	KB05003	HOSE, LOWER WATER PUMP IN	1
9		CLAMP ASSEMBLY FOR PIPE (INCLUDES 10 AND 11)	1
10		UPPER CLAMP FOR PIPE (FIND ANOTHER CLAMP)	1
11		LOWER CLAMP FOR PIPE (FIND ANOTHER CLAMP)	1
12	M8X1.25X75-8.8	BOLT - M8X1.25X75 - 8.8	2
13		PLAIN MACHINED WASHER - M8	2
14		HOSE CLIP (SS 70 DIA.)	1
15		SPRING WASHER - M12	8
16	KB08002	ROD, RADIATOR SUPPORT	2
17	KB05000	HOSE, THERMOSTAT HOUSING BYPASS TO RADIATOR	1
18		WIRE HOSE CLIP (S/F 16 MM PIPE)	2
19		RUBBER BUSHING	8
20		SPECIAL WASHER	8
21	M12X1.75-8	NUT - M12X1.75 - GRADE 8	8
22	KB50017	MOUNT, RADIATOR VIBRATION DAMPER	2
23	M10X1.5X30-8.8	SCREW - M10X1.5X30 - 8.8	4
24		SPECIAL PLAIN WASHER - M10	8
25		BUSHING, STEEL	8
26	M10X1.5-8	NUT - M10X1.5 - GRADE 8	4
27		WORM DRIVE HOSE CLIP (41 MM)	2
28		SPACER FOR VENT CONNECTION	1
30		ADAPTER FOR VENT PIPE	1
31	14X20	COPPER WASHER (14X20)	5
32	KB08005	BRACKET, RADIATOR SUPPORT	1
33	KB05005	HOSE, MAKE-UP CONNECTION	1
34	M14BANJO	HOSE TAIL CONNECTION (S/F M14 BANJO)	1
35	M14X1.5	BANJO BOLT - M14X1.5	1

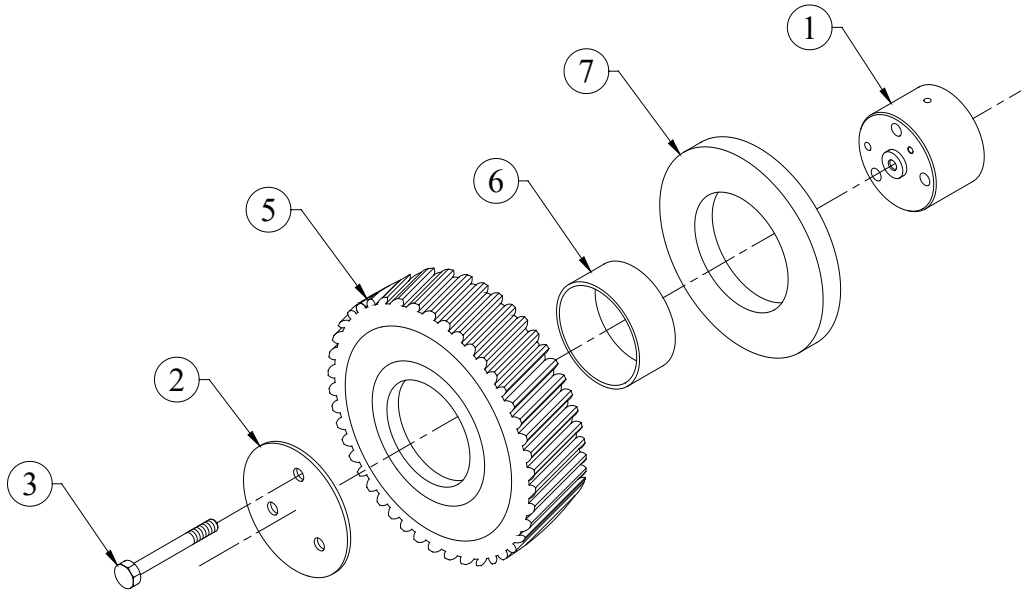
Coil Bracket Mounting



Coil Bracket Mounting

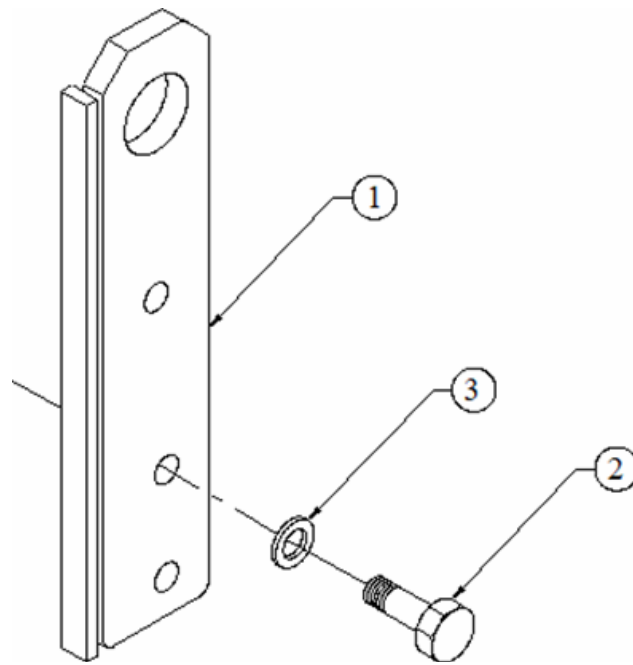
ITEM NO.	PART NO.	DESCRIPTION	QTY.
1	KB08000	BRACKET, COIL	2
2	WD06000	COIL IGNITION 12V SMART	6
3	7A-1/420X21/4	CAP SCREW HEX HEAD	4
4	1N-1/4	WASHER FLAT SAE-PLATED	34
5	SPACER-EMC-COIL	SPACER (FOR ECS UNIT)	12
6	29A-1/420	NUT HEX FINISHED ZINC-PLATED	15
7	KB00001 / M8X1.25X12-8.8	SCREW, COIL BRACKET M8X1.25X120 (8.8)	5
8	M8X200	HEX HEAD CAP SCREW	2
9	M08FW	METRIC PLAIN WASHER	10
10	KB16004	SPACER, COIL BRACKET, SHORT	6
11	KB16003	SPACER, COIL BRACKET, LONG	2
12	69462A-01	WIRE SPARK PLUG	6
13	330-18-A42	SPARK PLUG	6
14	KB08004	BRACKET, SECM 70 / CD-1 MOUNT	1
15	WD06002	ECM, SECM 70	1
16	21291 / 7A-1/420X2NC	CAP SCREW HEX HEAD, 7A-1/420X2 NC	4
17	M10X1.5X55	HEX HEAD CAP SCREW	4
18	M10FW	10 MM FLATWASHER ZINC-PLATED	4
19	KB16008	SPACER, ECM BRACKET TO BLOCK	4
20	KB08019	BRACKET, FUSE/RELAY OPEN UNIT	1
21	M8X20	HEX HEAD CAP SCREW GRD 8.8 PLATED	1
22	M8X65	HEX HEAD CAP SCREW GRD 8.8 PLATED	1
23	7A-1/420X5/8	CAP SCREW HEX HEAD	7
24	7A-1/420X23/4	CAP SCREW HEX HEAD	4
25	KB00007 / M8X1.25X130	BOLT, COIL BRACKET M8X1.25X130	1

Intermediate Gear and Support



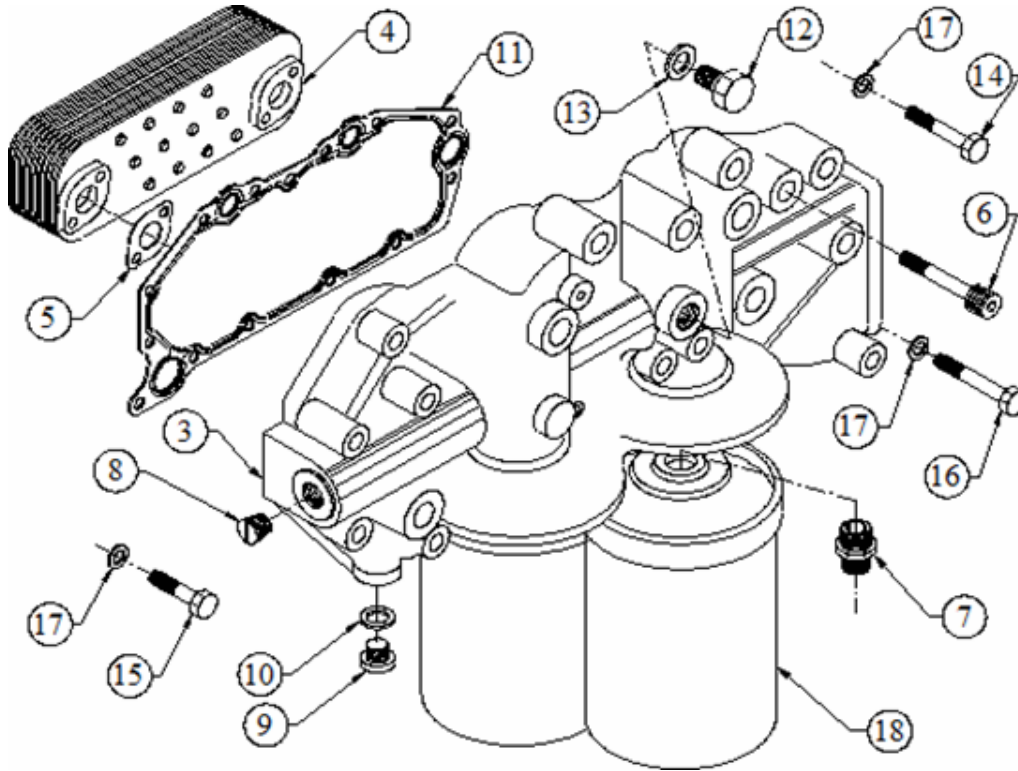
Intermediate Gear and Support (for Engine w/o Auto Timer)			
ITEM NO.	PART NO.	DESCRIPTION	QTY.
1	KB09062	SUPPORT, INTERMEDIATE GEAR	1
2	KB09060	RETAINING PLATE (FOR INTERMEDIATE GEAR)	1
3	M8X1.25X70-8.8	BOLT - M8X1.25X70 - 8.8	3
4	KB09051	INTERMEDIATE GEAR AND BUSHING ASSEMBLY	1
5		INTERMEDIATE GEAR (FINISH)	1
6		2H00402900 – INTERMEDIATE GEAR BUSHING	1
7	KB09061	THRUST WASHER INTERMEDIATE CAM GEAR	1

Lifting Hook



Lifting Hook			
ITEM NO.	PART NO.	DESCRIPTION	QTY.
1	KB08001	LIFTING HOOK	2
2	M10X1.5X30-8.8	BOLT - M10X1.5X30 - 8.8	2
3	M10	PLAIN MACHINED WASHER - M10	2

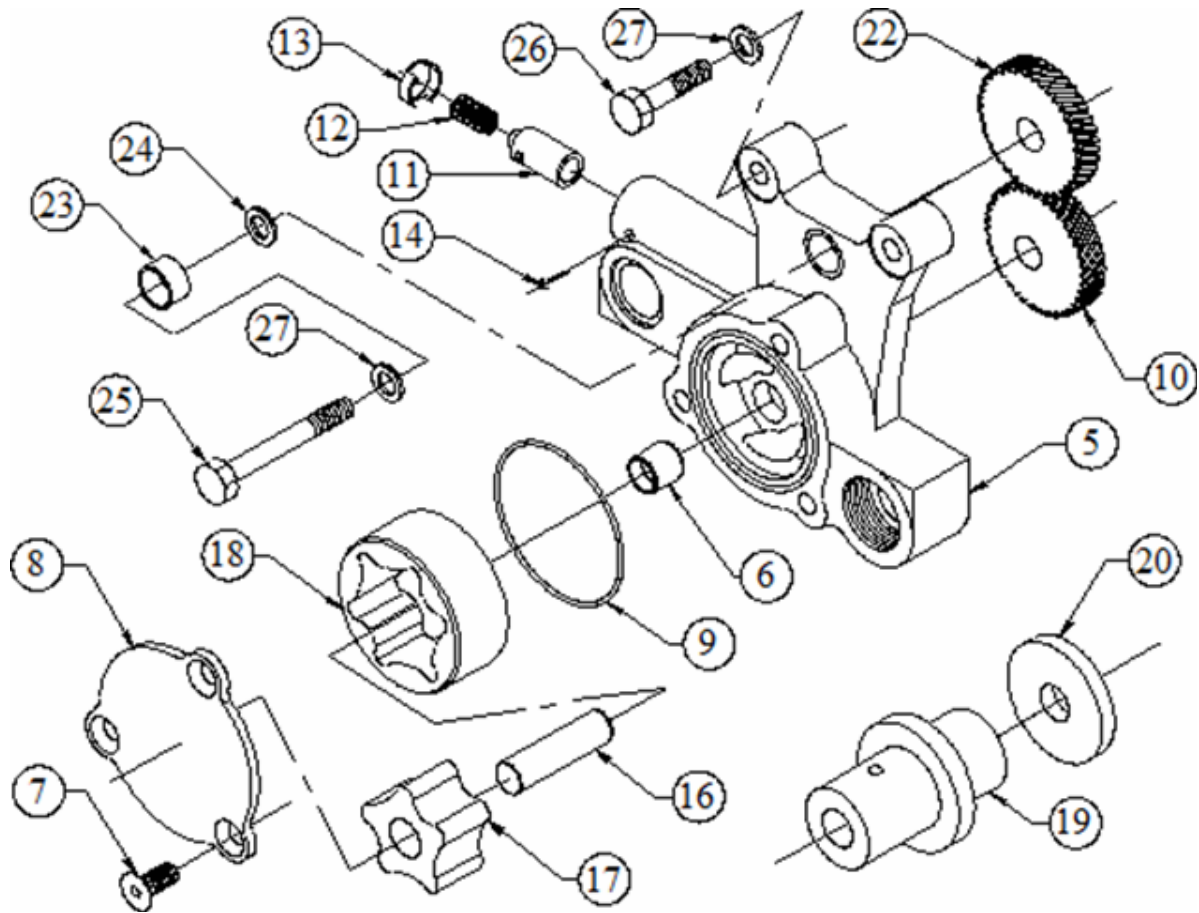
Oil Cooler, Spin-on Filter



Oil Cooler, Spin-on Filter

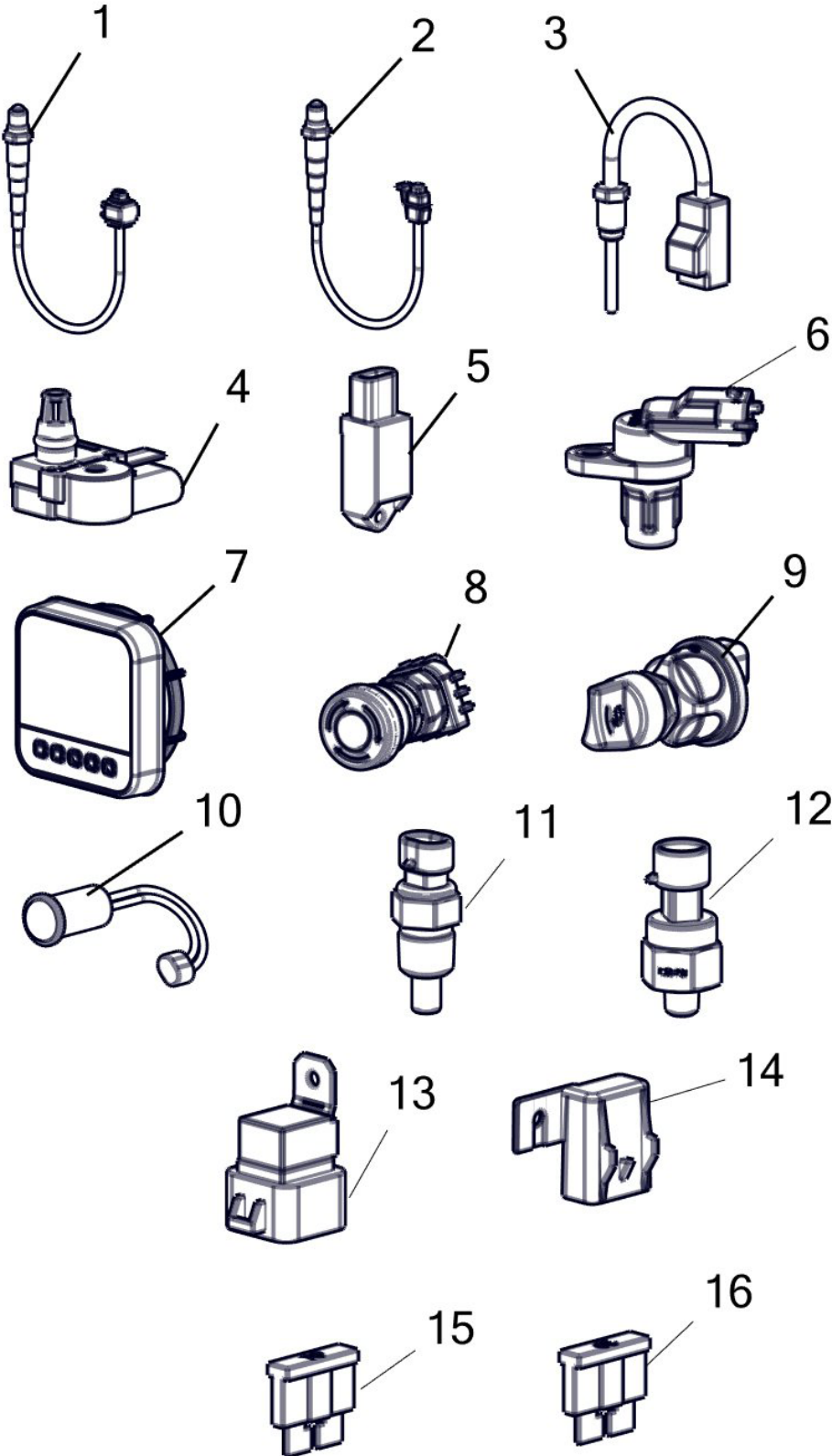
ITEM NO.	PART NO.	DESCRIPTION	QTY.
1	KB50003	OIL COOLER ASSEMBLY	1
2	KB50012	HEADER AND COOLER ASSEMBLY	1
3		HEADER (FOR OIL COOLER AND SPIN-ON FILTER)	1
4	KA50636	ELEMENT, OIL COOLER	1
5	KA03013	GASKET, OIL COOLER	2
6		CAP SCREW	4
7		ADAPTER (FOR SPIN-ON FILTER)	2
8		HEADLESS PIPE PLUG (NPTF 14-3/4 INCH)	1
9		ALLEN PLUG	1
10	22X27	COPPER WASHER (22X27)	1
11	KB03006	GASKET (FOR COOLER HEADER)	1
12		PRECOATED PLUG (OIL GALLEY)	1
13	10X16	COPPER WASHER (10X16)	1
14	M8X1.25X60-8.8	BOLT - M8X1.25X60 - 8.8	2
15	M8X1.25X90-8.8	BOLT - M8X1.25X90 - 8.8	4
16	M8X1.25X115-8.8	BOLT - M8X1.25X115 - 8.8	8
17	M8	PLAIN MACHINED WASHER - M8	14
18	KA50060	SPIN-ON OIL FILTER	2

Oil Pump



Oil Pump			
ITEM NO.	PART NO.	DESCRIPTION	QTY.
1	KB09037	OIL PUMP ASSEMBLY WITH INTERMEDIATE GEAR	1
19	KB09052	SUBASSEMBLY OF OIL PUMP INTERMEDIATE GEAR AND BUSHING	1

Sensors



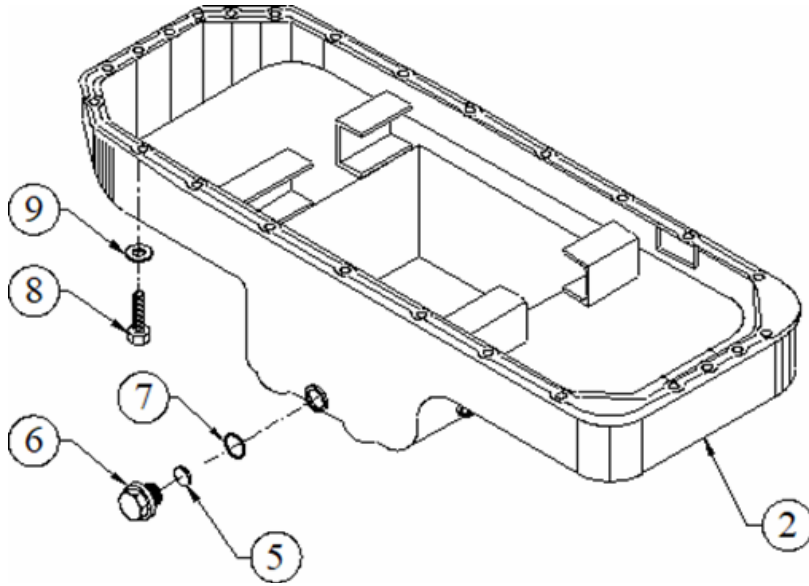
Sensors			
ITEM NO.	PART NO.	DESCRIPTION	QTY.
1	WD06003	SENSOR, O ₂ POST CAT	1
2	WD06004	SENSOR, O ₂ PRE CAT	1
3	WR06000	SENSOR, EXHAUST TEMPERATURE	1
4	WD06005	SENSOR, MANIFOLD PRESSURE	1
5	WD06007	KIT, ELECTRONIC FUEL REGULATOR	1
6	KB06001	SENSOR, CAM, HALL EFFECT	1
7	WR50025	PANEL, CONTROL	1
8	WR06003	E-STOP SWITCH	1
9	WR06004	SWITCH, POWER	1
10	WR06007	LIGHT, MALFUNCTION INDICATOR LAMP (MIL)	1
11	TEMP-SENSOR	SENSOR, TEMPERATURE	1
12	OP-SENSOR	SENSOR, OIL PRESSURE	1
13	KB15100	ENGINE/WIRE HARNESS (NOT SHOWN)	1
14	RELAY-START	RELAY	4
15		FUSE HOLDER	3
16		FUSE 10 AMP	3

ENGINE / WIRE HARNESS

Printed version of schematic
is available on foldout page
at back of this manual.

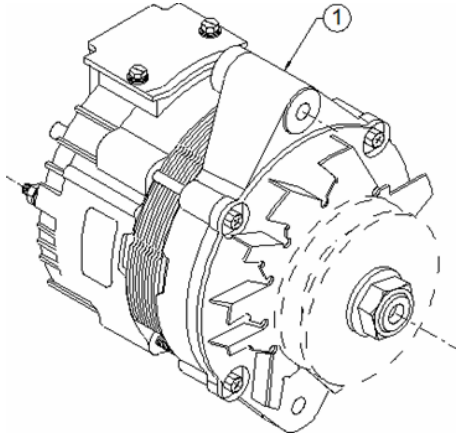
Digital version of schematic
is available as a PDF file.

Oil Pan Assembly



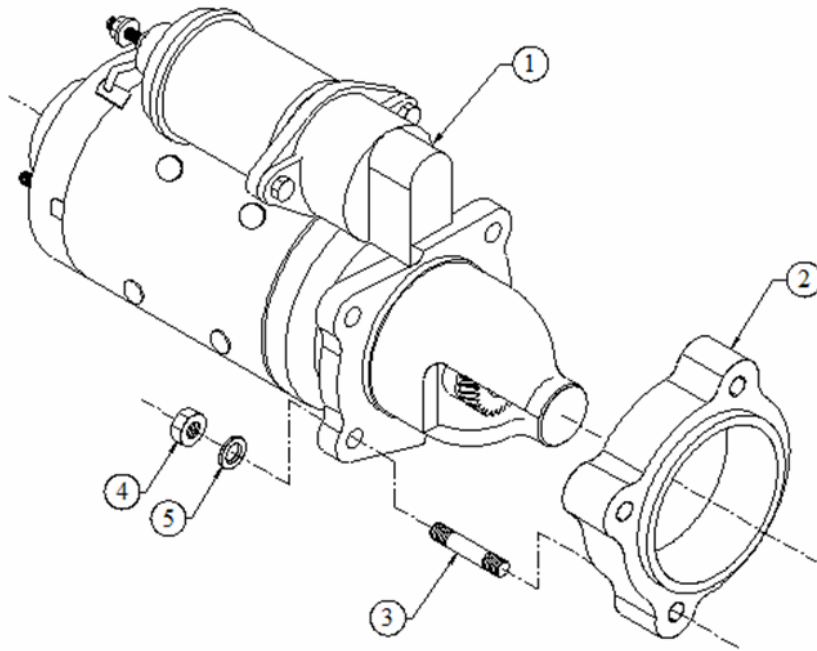
Oil Pan Assembly			
ITEM NO.	PART NO.	DESCRIPTION	QTY.
1	KB50004	OIL PAN ASSEMBLY WITH DRAIN PLUG	1
4	KB17000	DRAIN PLUG ASSEMBLY	1
7	KB03018	O-RING	1
8	M8X1.25X30-8.8	SCREW - M8X1.25X30 - 8.8	27
9		HARD WASHER (F), M8	27

Alternator, 13.2V



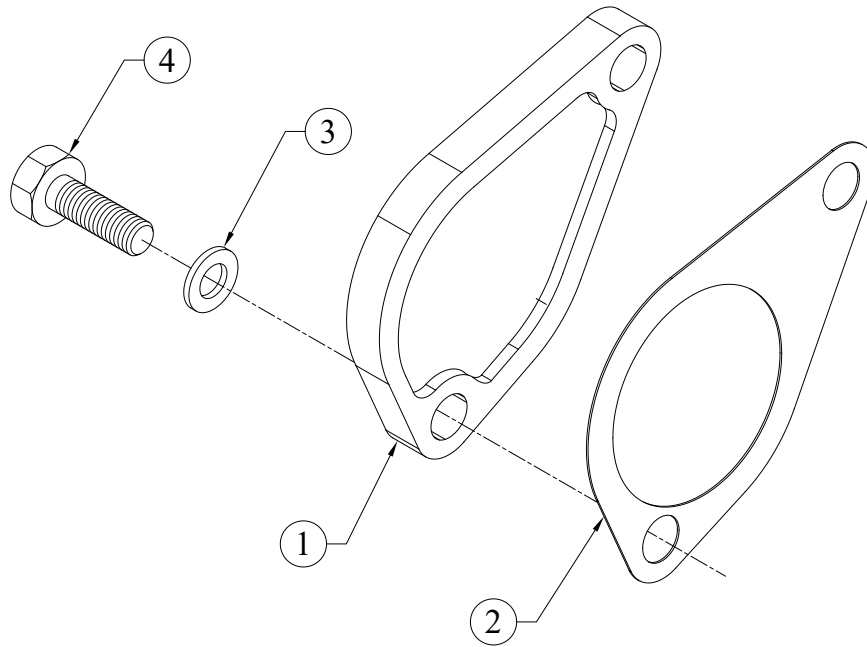
Alternator			
ITEM NO.	PART NO.	DESCRIPTION	QTY.
1	69753LV	ALTERNATOR, LOW-VOLTAGE	1
2	KB50025	TWO V-PULLEY	1
3	KB08007	BUSHING, LOWER	1
4	KB08005	BRACKET, SUPPORT LOWER	1

Starter, 12V



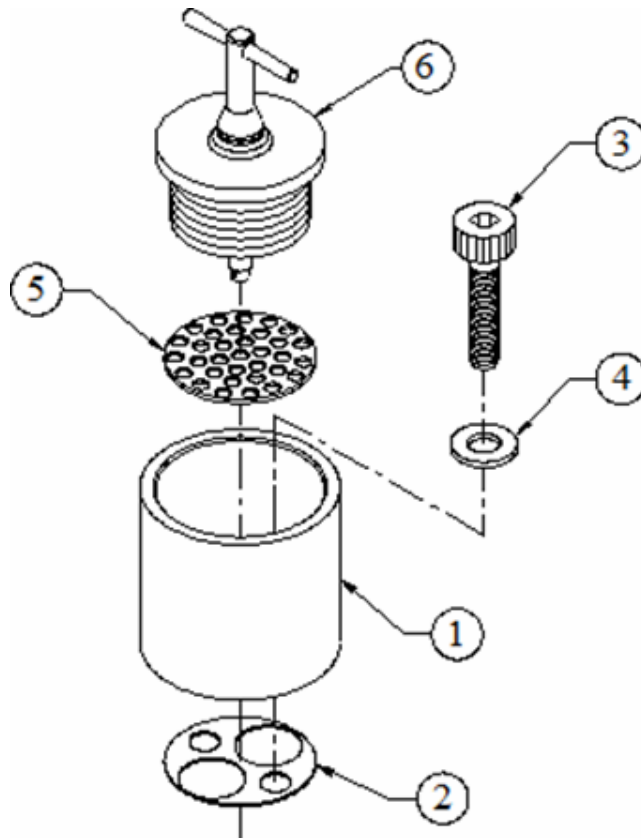
Starter, 12V			
ITEM NO.	PART NO.	DESCRIPTION	QTY.
1	KB10000	STARTER (12V)	1
2	NA	STARTER (24V) (NOT AVAILABLE)	
3	KB09070	FLANGE, STARTER (12V)	1
4	M10X1.5X45-8.8	STUD - M10X1.5X45 - 8.8	3
5	M10X1.5-8	NUT - M10X1.5 - GRADE 8	3
6	M10	PLAIN MACHINED WASHER - M10	3

Plate, Gas Engine



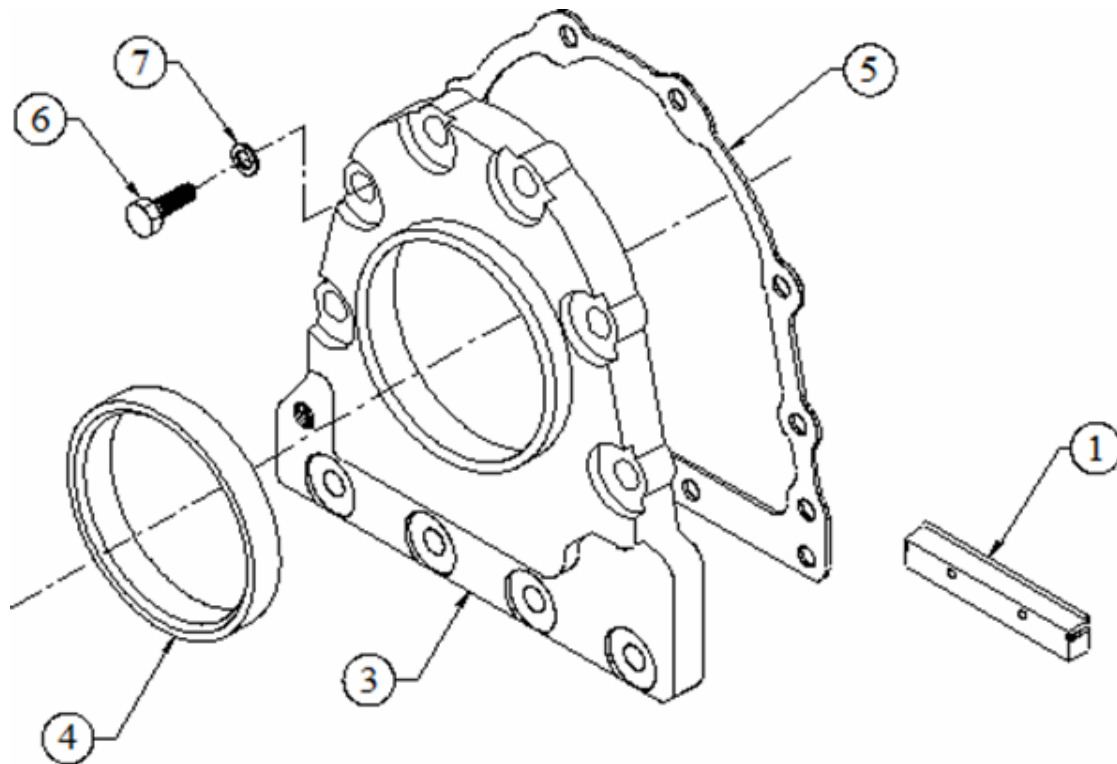
Plate, Gas Engine			
ITEM NO.	PART NO.	DESCRIPTION	QTY.
1		(BLANKING) PLATE	1
2		GASKET	1
3		PLAIN MACHINED WASHER - M10	2
4	M10X1.5X25-8.8	SCREW - M10X1.5X25 - 8.8	2

Oil-filling Body



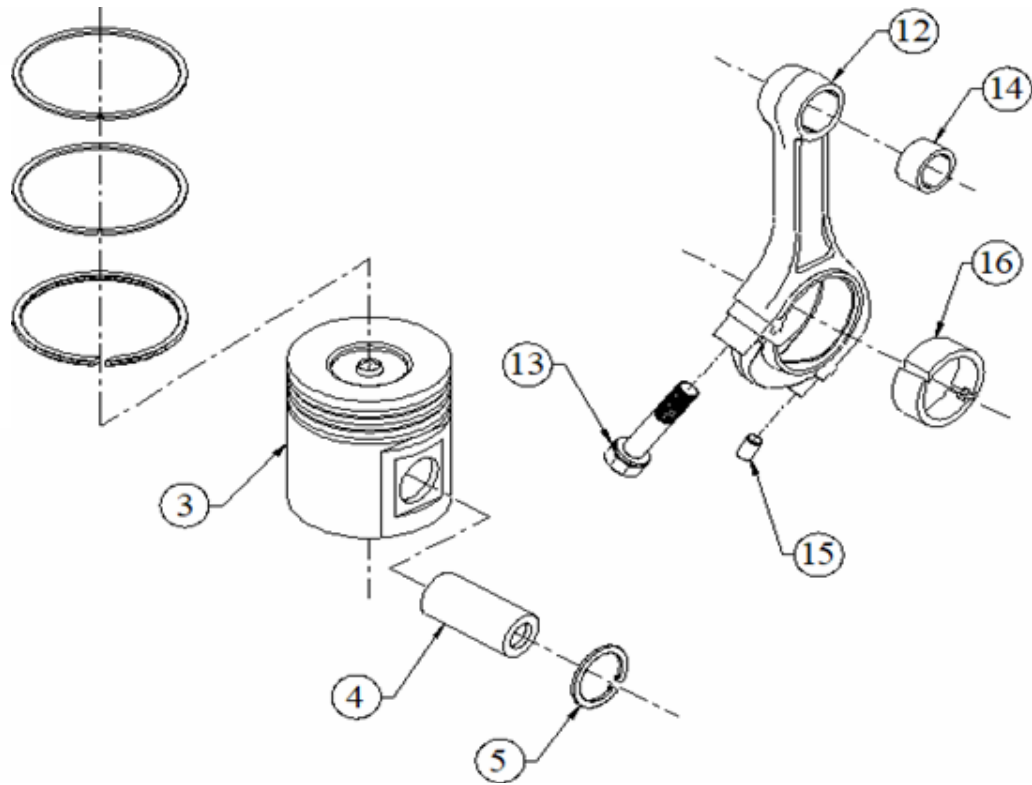
Oil-filling Body			
ITEM NO.	PART NO.	DESCRIPTION	QTY.
1		OIL FILLING BODY	1
2	KB03012	GASKET, OIL FILL BODY	1
3	M8X1.25X25-8.8	SOCKET HEAD SCREW - M8X1.25X25 - 8.8	2
4	M8	PLAIN MACHINED WASHER - M8	2
5		PERFORATED DISC	1
6	KB17001	CAP ASSEMBLY	1

Oil Seal Housing



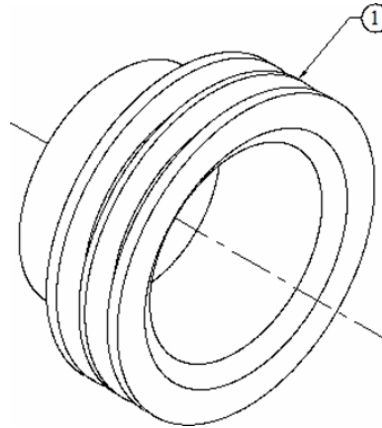
Oil Seal Housing			
ITEM NO.	PART NO.	DESCRIPTION	QTY.
1	KB50016	PLATE WITH RUBBER MOLDING	1
2		SUBASSEMBLY REAR OIL SEAL HOUSING FWE	1
3	KB50008	OIL SEAL HOUSING REAR (CRANKSHAFT)	1
4	KB09040	OIL SEAL (115X140X16)	1
5	NA	GASKET, HOUSING CRANKSHAFT REAR (NOT AVAILABLE)	1
6	M8X1.25X20-8.8	SCREW - M8X1.25X20 - 8.8	10
7	M8	PLAIN MACHINED WASHER - M8	10

Piston and Connecting Rod Assembly



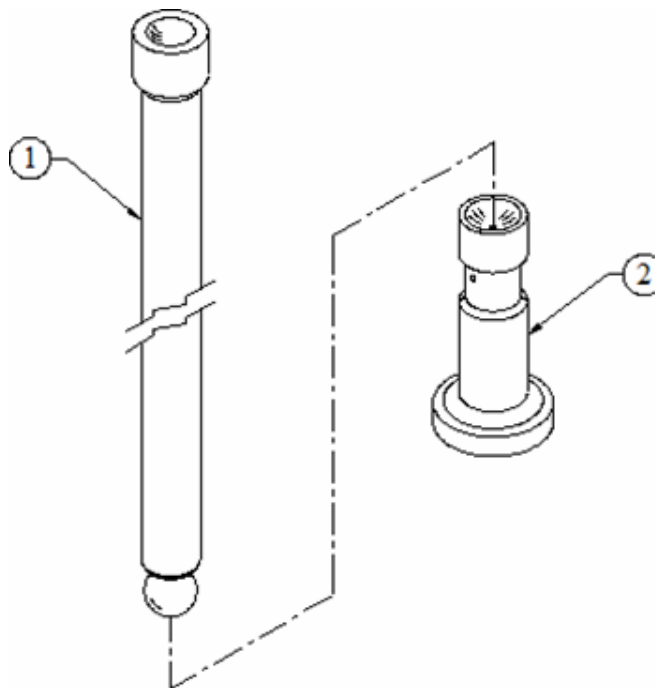
Piston and Connecting Rod Assembly (40 Dia. Pin)			
ITEM NO.	PART NO.	DESCRIPTION	QTY.
1		PISTON AND CONNECTING ROD ASSEMBLY GAS ENGINE	1
2	KB09017	PISTON ASSEMBLY COMPLETE	1
4	KB09041	PISTON PIN - 40 MM DIA.	1
5	KB09042	CIRCLIP INTERNAL - 40 MM	2
6	KB09007	PISTON RING SET (105 DIA.)	1
11	KB09018	CONNECTING ROD ASSEMBLY	1
13	KB09021	CONNECTING ROD BOLT	2
14	KB09020	SMALL END BUSHING	1
15	NA	DOWEL PIN (NOT AVAILABLE)	2
16	KB09019	BIG END BEARING (PAIR)	6

Pulley for Water Pump



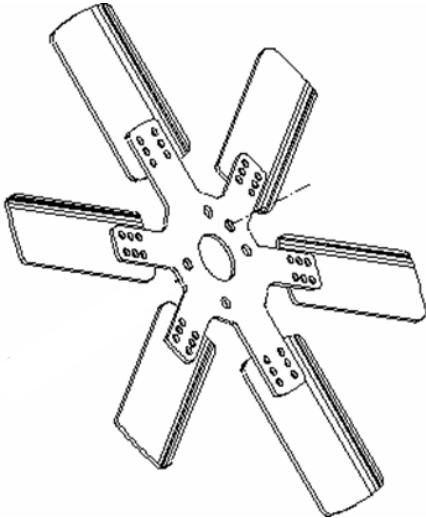
Pulley for Water Pump			
ITEM NO.	PART NO.	DESCRIPTION	QTY.
1	KB50013	WATER PUMP PULLEY SPA - 2 GR,120 PCD	1

Pushrod and Lifter



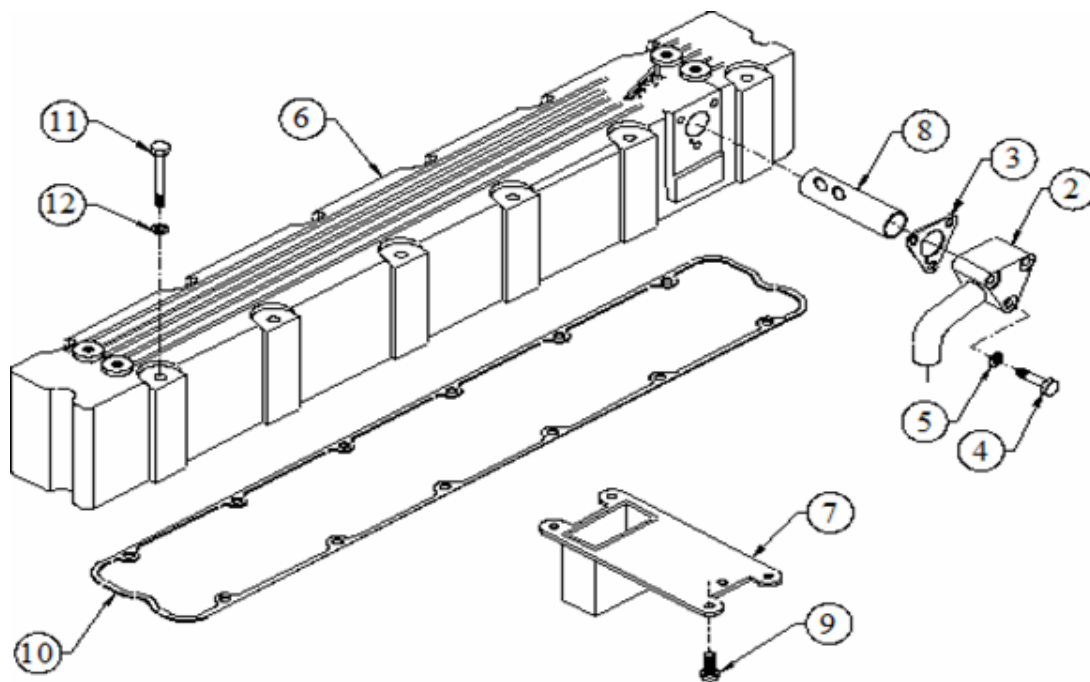
Pushrod and Lifter			
ITEM NO.	PART NO.	DESCRIPTION	QTY.
1	KB09031	PUSH ROD (WELDED)	12
2	KB09032	VALVE LIFTER	12

Radiator Fan



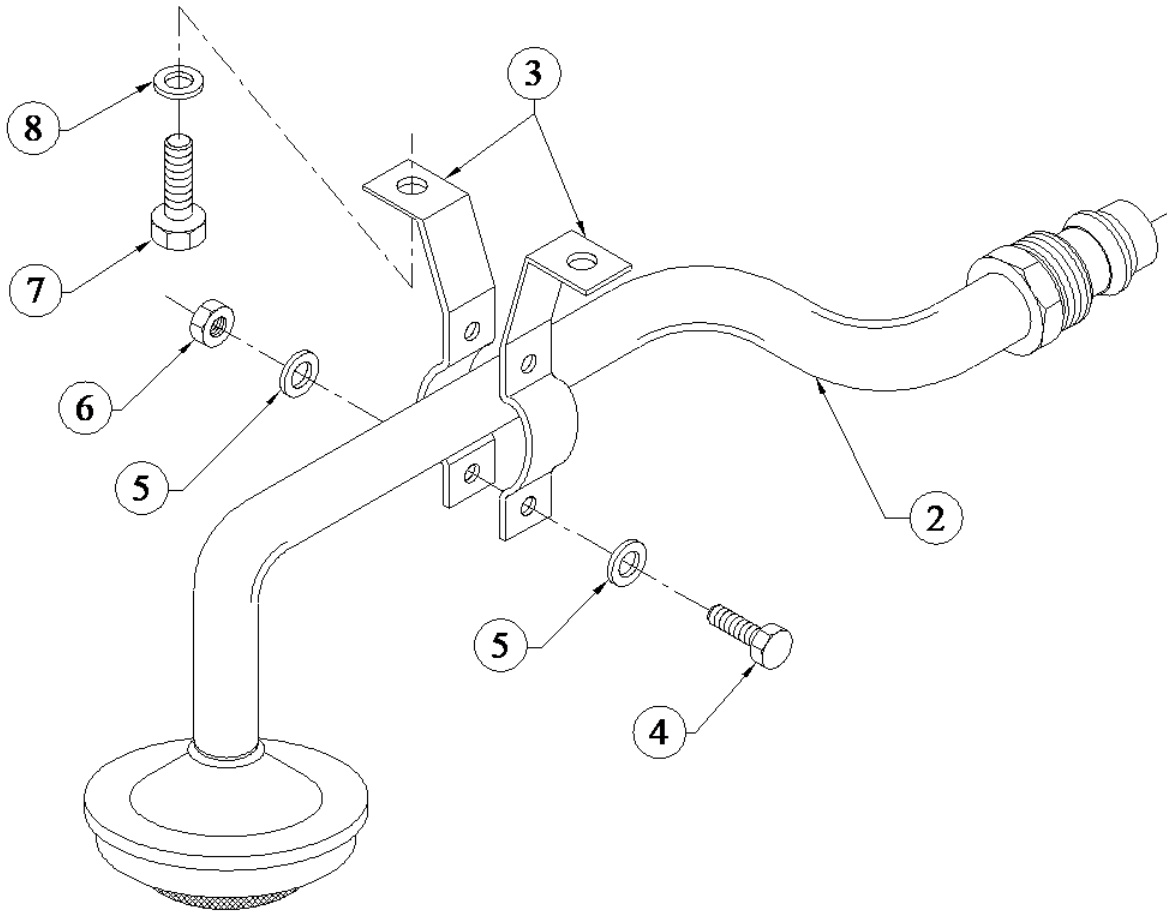
Radiator Fan			
ITEM NO.	PART NO.	DESCRIPTION	QTY.
1	KB13001	FAN, PLASTIC PUSHER 28-INCH	1
2	KB13000	FAN, PLASTIC SUCTION 28-INCH	1

Rocker Cover



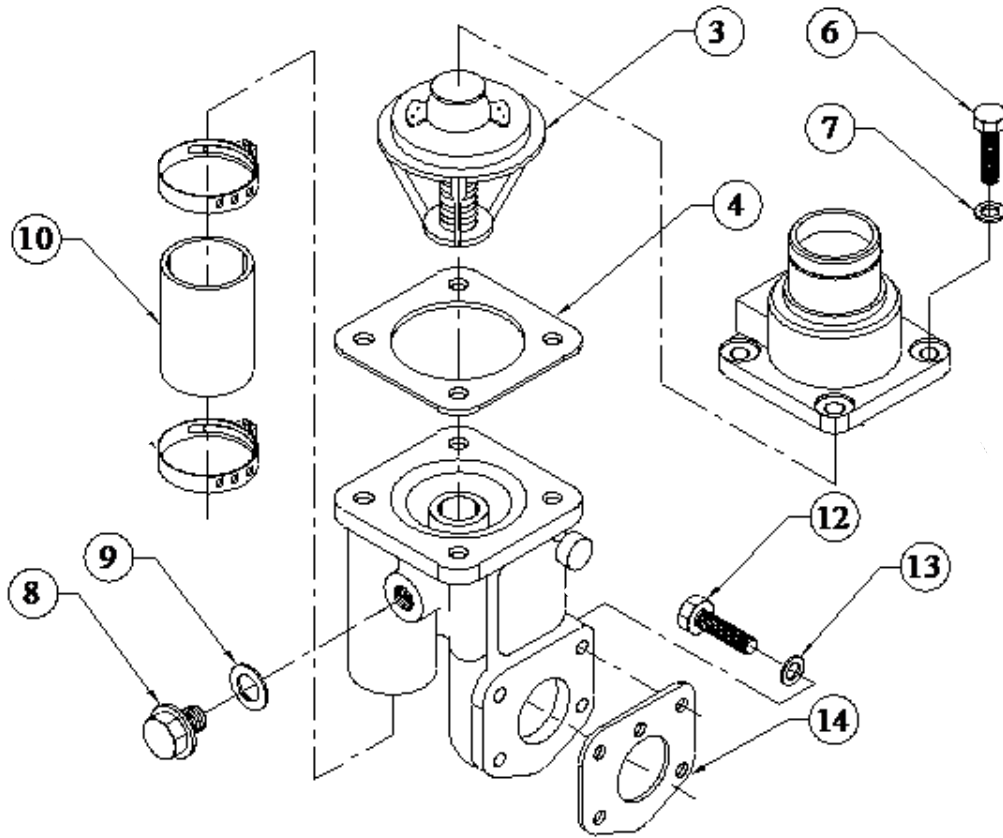
Rocker Cover			
ITEM NO.	PART NO.	DESCRIPTION	QTY.
1	KB09043	ASSEMBLY, ROCKER COVER	1
2		ADAPTER (FOR BREATHER PIPE, NON EPA-CERTIFIED)	1
2A	KB16006	MOUNT, PCV VALVE	1
2B	WR50011	PCV VALVE	1
2D	157497X	O-RING PCV MOUNTING BLOCK	1
3	KB03013	GASKET (BREATHER ADAPTER)	1
4	M8X1.25X55-8.8	BOLT - M8X1.25X55 - 8.8	3
5		PLAIN MACHINED WASHER - M8	3
6		ROCKER COVER (CI)	1
7		DEFLECTOR PLATE	2
8		BREATHER TUBE	1
9	1/8X3/8	SCREW 1/8X3/8-INCH (RIVET)	8
10	KB03005	VALVE COVER GASKET	1
11	M8X1.25X110-8.8	BOLT - M8X1.25X110 - 8.8	12
12		PLAIN MACHINED WASHER - M8	12

Suction Tube



Suction Tube (Sf 25 Deg. Inclination Oil Sump)			
ITEM NO.	PART NO.	DESCRIPTION	QTY.
1	KB09038	PICKUP TUBE ASSEMBLY	1
4	M6X1X12-8.8	SCREW - M6X1X12 - 8.8 (NOT AVAILABLE)	2
5	NA	PLAIN MACHINED WASHER - M6 (NOT AVAILABLE)	4
6	M6X1-8	NUT - M6X1 - GRADE 8 (NOT AVAILABLE)	2
7	M8X1.25X16-8.8	SCREW - M8X1.25X16 - 8.8	2
8		PLAIN MACHINED WASHER - M8	2

Thermostat and Mounting

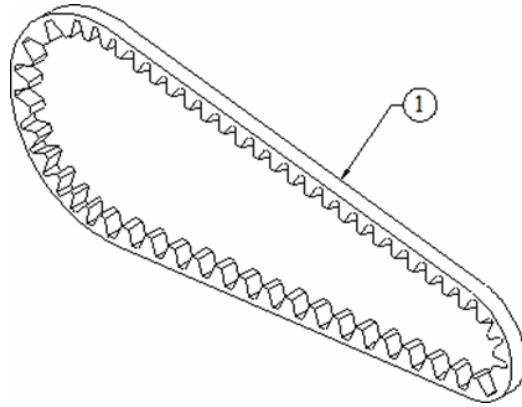


Thermostat and Mounting (with Otieker Clamp)

ITEM NO.	PART NO.	DESCRIPTION	QTY.
1	KB50005	THERMOSTAT AND HOUSING ASSEMBLY	1
3	KB09025	THERMOSTAT ELEMENT (74 DEG)	1
4	KB03000	GASKET, THERMOSTAT HOUSING	1
6	M8X1.25X25-8.8	SCREW - M8X1.25X25 - 8.8	4
7	M8	PLAIN MACHINED WASHER - M8	4
8	M14X1.5	PLUG (M14X1.5)	1
9	14X20	COPPER WASHER (14X20)	1
10	KB05000	THERMOSTAT BYPASS HOSE	1
12	M8X1.25X35-8.8	SCREW - M8X1.25X35 - 8.8	4
13	M8	PLAIN MACHINED WASHER - M8	4
14	KB03007	GASKET THERMOSTAT HOUSING TO HEAD	1

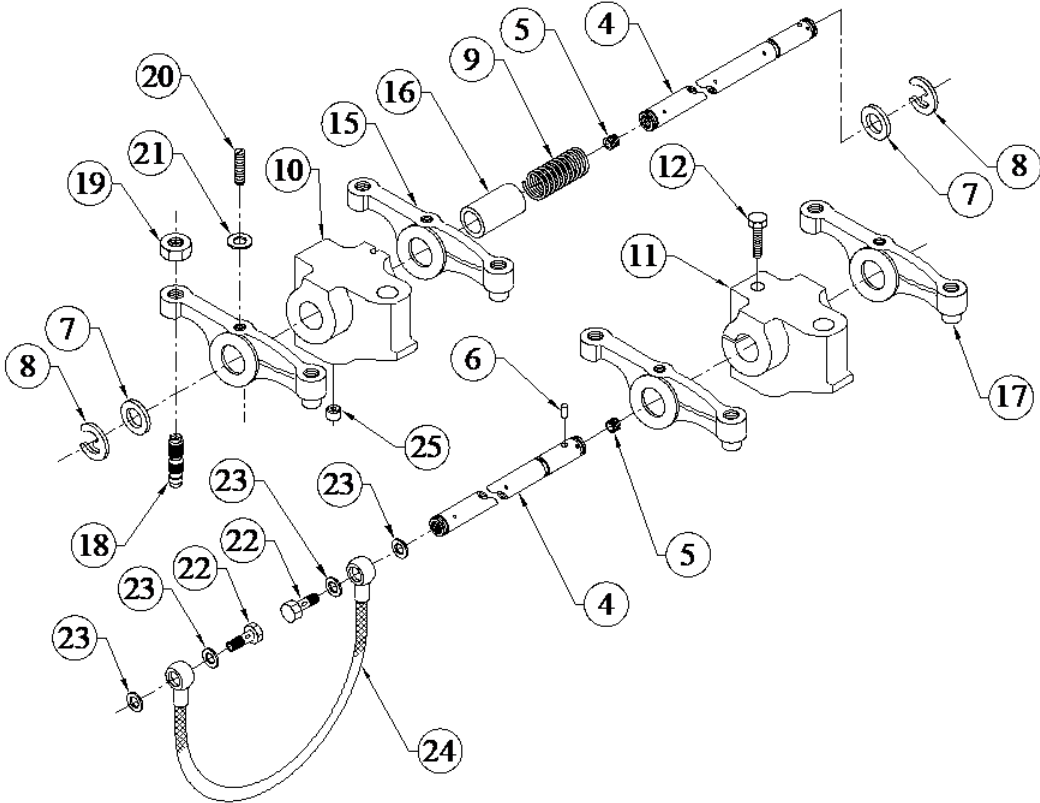
THIS PAGE INTENTIONALLY LEFT BLANK

Alternator V-belt



V-belt Xpa1280			
ITEM NO.	PART NO.	DESCRIPTION	QTY.
1	KB04000	ALTERNATOR V-BELT (PAIR)	1

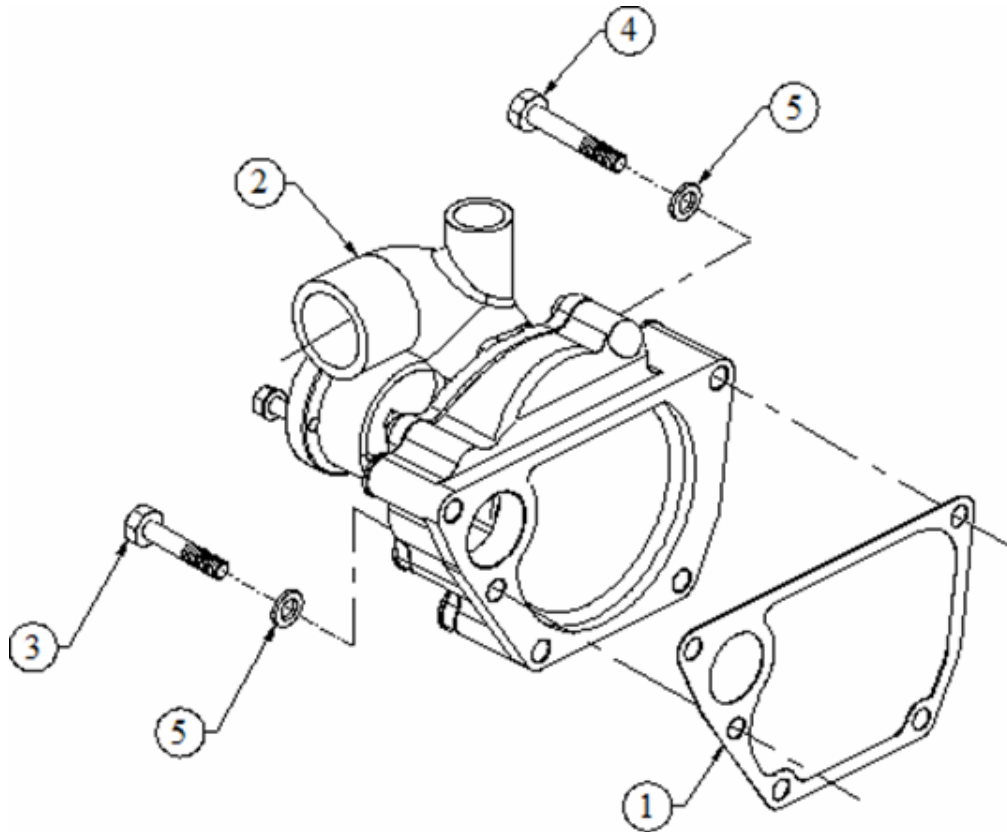
Valve Rocker Assembly



Valve Rocker Assembly

ITEM NO.	PART NO.	DESCRIPTION	QTY.
1	KB09024	ROCKER SHAFT ASSEMBLY (COMPLETE)	1
2		ROCKER SHAFT SUBASSEMBLY	2
4		VALVE ROCKER SHAFT	1
5	M12X10	SOCKET HEAD GRUB SCREW - M12X10	2
6		GROOVED SOCKET PIN	1
7		WASHER (FOR ROCKER ARM)	2
8	KB09055	CIRCLIP, ROCKER BAR EXTERNAL (15 DIA.)	2
9	KB09064	SPRING (FOR ROCKER SHAFT)	2
9	KB09065	ROCKER SUPPORT (FINISH) (FLYWHEEL END)	1
10-12	KB09065	ROCKER SUPPORT (FINISH) (FLYWHEEL AND GEAR END)	2
11	KB09068	OIL METERING ORIFICE	1
13	M8X1.25X30-8.8	SCREW - M8X1.25X30 - 8.8	2
13	KB09053	VALVE ROCKER ASSEMBLY	6
14		ROCKER ARM SUBASSEMBLY (WITH VALVE ROCKER BUSHING)	1
15		ROCKER ARM	1
16		VALVE ROCKER BUSHING (SEMI-FINISH)	1
17		VALVE ROCKER TOE	1
18		ROCKER-ARM ADJUSTABLE SCREW	1
19		NUT (FOR ROCKER ADJUSTABLE SCREW)	1
20		OIL METERING SCREW	1
21		WASHER	10
22		BANJO BOLT	2
23	12X18	COPPER WASHER (12X18)	4
24	KB09054	ASSEMBLY OF ADAPTER AND PIPE	1

Water Pump



Water Pump			
ITEM NO.	PART NO.	DESCRIPTION	QTY.
1	KB03003	GASKET, WATER PUMP	1
2	KB09022	WATER PUMP ASSEMBLY	1
3	M10X1.5X60-8.8	BOLT - M10X1.5X60 - 8.8	3
4	M10X1.5X70-8.8	BOLT - M10X1.5X70 - 8.8	2
5	M10	PLAIN MACHINED WASHER - M10	5
6	KB50013	WATER PUMP PULLEY 2V	1

Set of Gaskets, Copper Washers, O-rings

Set of Gaskets, Copper Washers, O-rings			
ITEM NO.	PART NO.	DESCRIPTION	QTY.
1	SKB03019	GASKET SET	1
3		GASKET FOR COVER FOR FUEL PUMP GEAR	1
4		GASKET FOR FRONT COVER	1
5		GASKET FOR FUEL PUMP	1
6		GASKET FOR FLANGE/FUEL SPOUT	1
7		GASKET FOR THERMOSTAT COVER	1
8		GASKET FOR OIL FILLER BODY	1
9		GASKET	3
10		GASKET FOR EXHAUST MANIFOLD	6
11		GASKET FOR DELIVERY VOLUTE (282.5 CRS)	1
12		GASKET FOR BEARING HOUSING (282.5 CRS)	1
13		GASKET FOR ADAPTER (CRANKCASE SIDE)	1
14		GASKET FOR ROCKER COVER	1
15		GASKET FOR HEADER	1
16		GASKET BETWEEN CRANKCASE AND GEAR COVER	1
17		GASKET FOR CENTRIFUGAL FILTER ADAPTER	1
18		GASKET FOR OIL SEAL HOUSING	1
19		GASKET FOR GLACIER FILTER (0.3 L)	1
20		GASKET FOR OIL COOLER	1
21		SS GASKET (4-INCH)	3
22		SET OF COPPER WASHERS	1
23	8X12	COPPER WASHER (8X12)	12
24	10X14	COPPER WASHER (10X14)	4
25	10X16	COPPER WASHER (10X16)	1
26	12X16	COPPER WASHER (12X16)	4
27	14X18	COPPER WASHER (14X18)	8
28	14X20	COPPER WASHER (14X20)	15
29	16X22	COPPER WASHER (16X22)	2
30	17X23	COPPER WASHER (17X23)	1
31	18X22	COPPER WASHER (18X22)	1
32	20X24	COPPER WASHER (20X24)	2
33	20X26	COPPER WASHER (20X26)	1
34	24X29	COPPER WASHER (24X29)	1
35		SET OF O-RINGS	1
36		O-RING - DIPSTICK (2X5, 21515 OR 21511)	3
37		O-RING FOR DELIVERY TUBE	2
38		O-RING FOR NOZZLE	6
39		O-RING	1

Set of Bearings

Set of Bearings				
ITEM NO.	PART NO.	DESCRIPTION	REMARKS	QTY.
SET OF MAIN BEARINGS				
1	G-918-KP6	MAIN BEARING	(7 PAIRS) STD.	1
2		MAIN BEARING HA6 AND TC	0.25 MM U/S	1
3		MAIN BEARING HA6 AND TC	0.50 MM U/S	1
4		MAIN BEARING HA6 AND TC	0.75 MM U/S	1
5		MAIN BEARING HA6 AND TC	1.00 MM U/S	1
6		MAIN BEARING HA6 AND TC	1.25 MM U/S	1
7		MAIN BEARING HA6 AND TC	1.50 MM U/S	1
SET OF CONNECTING ROD BEARINGS				
8	SKB50020	CON. ROD BEARING HA6 AND TC	(6 PAIRS) STD.	1
9		CON. ROD BEARING HA6 AND TC	0.25 MM U/S	1
10		CON. ROD BEARING HA6 AND TC	0.50 MM U/S	1
11		CON. ROD BEARING HA6 AND TC	0.75 MM U/S	1
12		CON. ROD BEARING HA6 AND TC	1.00 MM U/S	1
13		CON. ROD BEARING HA6 AND TC	1.25 MM U/S	1
14		CON. ROD BEARING HA6 AND TC	1.50 MM U/S	1
SET OF THRUST WASHERS				
15	KB09050	THRUST WASHER SET OF INNER AND OUTER	ONE SET	1
16	G-927-KP6	SET OF CAM BEARINGS	ONE SET (STD.)	

Sleeve Kit

Sleeve Kit			
ITEM NO.	PART NO.	DESCRIPTION	QTY.
1	G-907-KP6	PISTON, PIN, CIRCLIP, RINGS	1
2	KB09006	LINER, CYLINDER WITH O-RINGS	1

OPERATION AND SERVICE

INTRODUCTION TO KP6

The KP6 engine is specially designed for heavy-duty industrial use and is not derived from light automotive engines. The crankcase is integral with rigid structure at bottom and top ends with stiffening provided by specially designed beam structure. This rigid structure also ensures minimum cylinder bore distortion, low oil consumption, extended life of oil, and reduced emissions.

The rigid and integral cylinder head is equipped with replaceable Stellite valves, seats, and guides. The heads are provided with six bolts per cylinder to ensure uniform clamping. Steel backbone cylinder head gasket ensures proper sealing.

The combustion system is designed to ensure low exhaust emissions. The entire oil circuit is built into the crankcase with external piping on the engine, which prevents leaks. The oil cooler has a modern plate-type design, which is compact and efficient. Crankshaft is made of forged alloy steel with hardened journals and pins.

Serviceability

All service points such as dipstick, oil filling, and oil filter are located on the cooler side, for easy access. Wet liners ensure low cost of maintenance as compared to engines with dry liners. Wet liners are easy to replace at site without any special tooling.

Silent Operation

Rigid engine structure and crowned gears in gear train substantially reduce the engine noise.

Low Operating Cost

Low oil consumption and extended oil change intervals of 750 hours (with recommended oil grade) reduce the operating cost. Oil consumption is less than 0.3 % of fuel consumption.

Overhaul instructions are not included, except where certain special procedures are required. Specifications information, discussed in the Repair and Replacement section of this manual, will allow a competent mechanic to determine when parts are no longer usable.

All data and recommendations contained in this manual represent the latest information available at the time of printing and are subject to change.

Symbols are incorporated throughout this manual to emphasize important information. These symbols and their meanings are as follows:

WARNING

This symbol precedes information which, if disregarded, may result in injury or death of the user (or others) of the engine.

CAUTION

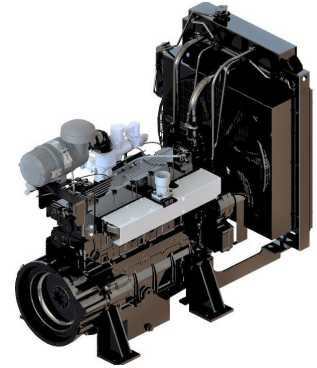
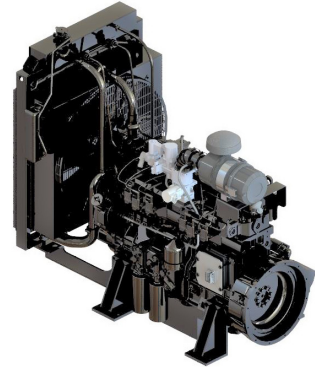
This symbol precedes information which, if disregarded, may result in damage to the engine.

NOTE

This symbol precedes information which is vital to the operation or maintenance of the engine.

Features

- EPA-certified stationary/nonroad mobile and emergency standby
- Prime certified operating fuels – pipeline NG, LPG/VPG, and wellhead NG (700–1,600 BTU/ft³)
- Standby certified operating fuels – pipeline NG, LPG/VPG
- Single-piece cylinder head
- Stellite valves and hardened seats
- Two valves per cylinder
- Integral oil cooler with twin filter and centrifuge filter
- Cast-iron block
- One-piece crankshaft
- Woodward PG+ engine control system
- Standard canbus interface (SAE J1939)
- Telematics compatible
- Bi-fuel auto switching capable



ENGINE SPECIFICATIONS		
Configuration	Vertical in-line 6-cylinder	
Induction system	Naturally aspirated	
Combustion system	Spark-ignited	
Cooling system	Water-cooled	
Displacement	6.5 L	397 cubic inches
Compression ratio	9:1	
Bore x stroke	4.1 x 4.9 inches	105 x 125 mm
Direction of rotation	Counterclockwise	
Approx. wet weight (power unit, G-drive)	2,190 lbs., power unit	1,725 lbs., G-drive
Length (power unit, G-drive)	74.6 inches, P.U.	57.9 inches, Gdrive
Width	39.1 inches, P.U.	35.4 inches, Gdrive
Height	89.1 inches, P.U.	57.4 inches, Gdrive
Fuel type	NG/ wellhead/ VPG/ LPG	

Weight and physical dimensions are for reference only. Final product data may differ slightly.

NOTE: kWe calculated using 90 percent alternator efficiency at 0.8 power factor.

General Guidelines

Your engine needs the following:

- Clean natural gas (700–1,600 Btu) or propane (commercial grade HD-10 or better)
- Lubricating oil of specified quality and viscosity grade
- Fresh air for combustion of fuel, and cooling of engine
- Proper ventilation of engine compartment to avoid recirculation of hot air
- Genuine spare parts for its maintenance

Service and Maintenance

- Sound service and maintenance practices will ensure that the engine continues to meet your requirements. Recommended service intervals must be observed. The service and maintenance work should be performed carefully.
- Special care should be taken in highly demanding operating conditions.

Maintenance and Repairs

1. Shut down the engine before performing maintenance or repair work.
2. When the work is complete, be sure to install safety devices that may have been removed.
3. If you must work on a running engine, ensure that all clothing is tight-fitting and cannot catch the moving parts.
4. Observe all industrial safety regulations when operating engines in enclosed spaces or underground.
5. Contact distributor for spare parts inquiries. Use only genuine spare parts.

Safety Symbols

Symbols are incorporated throughout this manual to stress important information. These symbols and their meanings are as follows:

WARNING

This symbol precedes information which, if disregarded, may result in injury or death of the user (or others) of the engine.

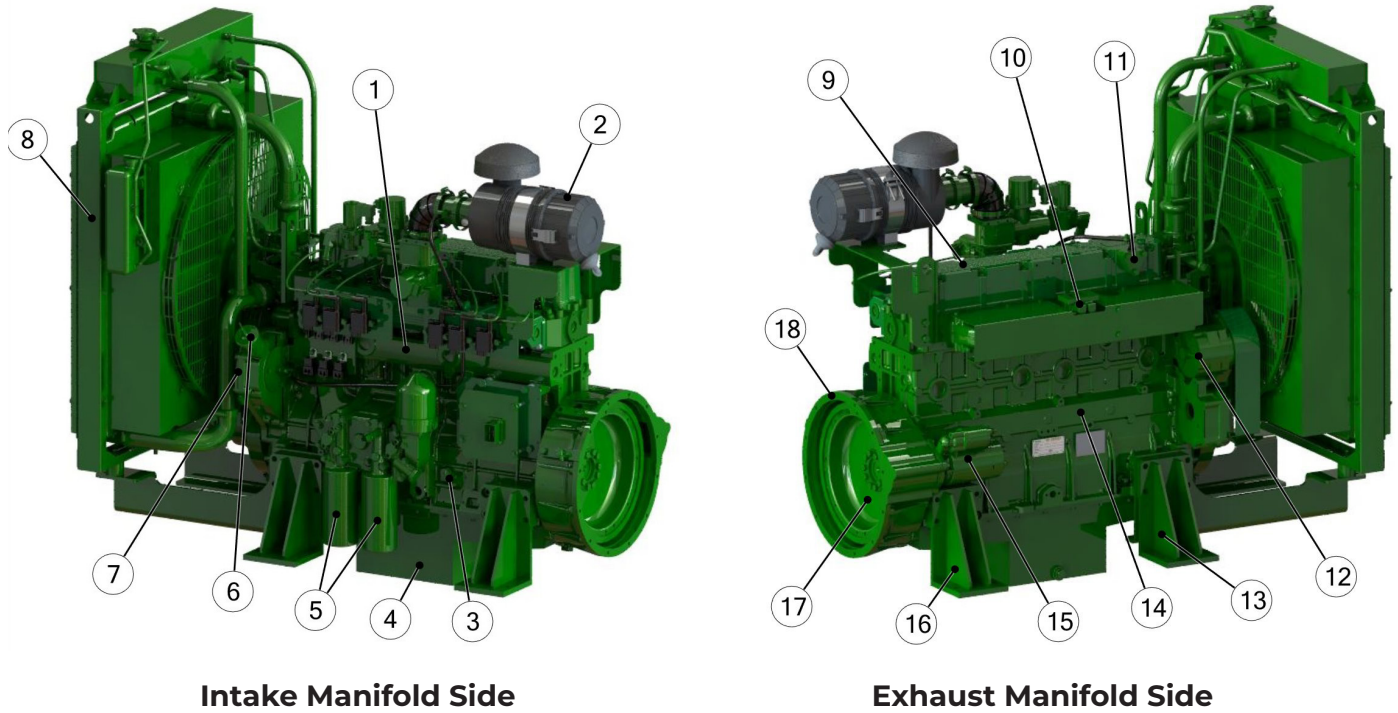
CAUTION

This symbol precedes information which, if disregarded, may result in damage to the engine.

NOTE

This symbol precedes information which is vital to the operation or maintenance of the engine.

Engine Illustrations



Intake Manifold Side

Exhaust Manifold Side

1. Air intake manifold
2. Air cleaner
3. Dipstick
4. Oil sump with drain plug
5. Spin-on oil filter
6. Oil filling body
7. Gear casing
8. Radiator
9. Rocker cover

10. Exhaust manifold
11. Breather (positive crankcase ventilation)
12. Alternator (for battery charging)
13. Engine mounting foot (gear-end side)
14. Crankcase
15. Starter
16. Engine mounting foot (flywheel-end side)
17. Flywheel
18. Flywheel housing

Figure 1

Engine-lifting Device

For bare KP6 engine

Before lifting, attach the lifting hooks onto the engine and lift (Figure 2). The lifting hooks provided on the engine are meant for lifting bare engine only. Avoid the use of engine-lifting hooks for lifting of generating set because it can damage the engine or generating set in the event of breakage.



Figure 2

Use proper sling or tackle arrangement for lifting.

Oil System

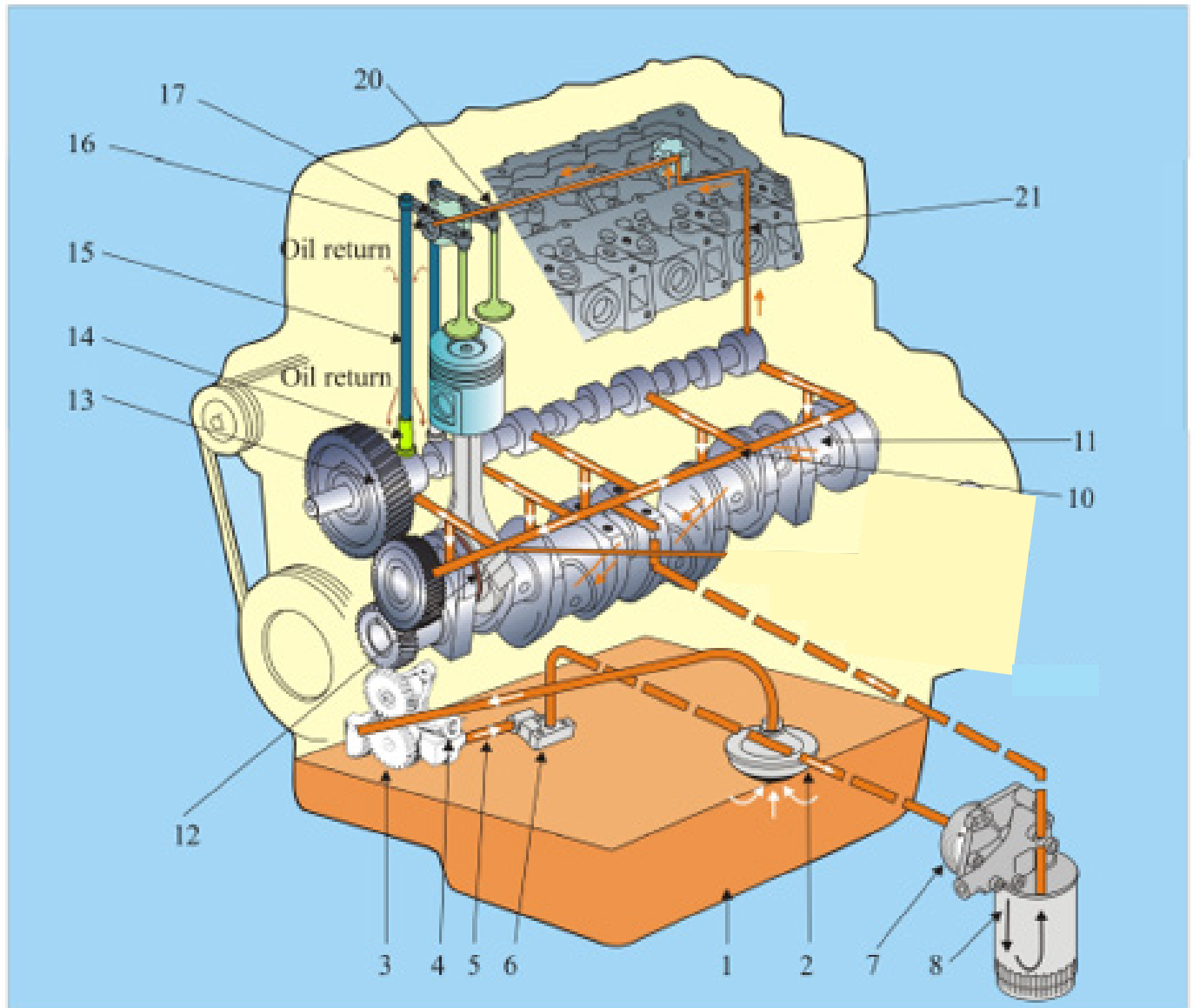
Oil Circuit

Force-feed lubrication is provided by a G rotor-type pump to main bearings, large end bearings, camshaft journals, and to the valve gear. Other components like connecting rod small end bushings, cylinder liners, and gear train are splash lubricated. Piston cooling nozzles are provided for piston cooling for turbocharged engines only. Oil supply to valve gear is achieved through rocker shaft core hole; the oil supply is controlled to the valves and rocker arm by oil metering screw, which results in lower oil consumption and lower carbon deposition.

The system includes adequate filtering by a replaceable spin-on filter cartridge. For KP-Series engines, twin-filter cartridges and a centrifuge oil filter are provided. The water-cooled oil cooler is provided to maintain the oil temperature within limits. A relief valve controls the maximum oil pressure, which is provided on delivery side of the oil pump.

Lubrication System for Arrow Engine KP-Series Water-cooled Engines

Illustration below shows the lubrication oil circuit of a typical KP-Series water-cooled engine. These parts are arranged in typical oil flow as observed in KP-Series engine oil circuit.



- | | | |
|--|---|---|
| 1 Lube oil sump | 10 Oil gallery (Main) | 17 Metering plug (not shown) |
| 2 Suction tube | 11 Main bearing | 18 Oil spray nozzle for piston cooling (Not shown) (Used on Turbo charged & Turbo charged after cooled engines only.) |
| 3 Lube oil pump | 12 Large end bearing | |
| 4 Pressure Relief valve | 13 Camshaft bearing | |
| 5 Delivery pipe | 14 Tappet with grooves for pulse fed rocker arm lubrication | |
| 6 Delivery body | 15 Push rod (hollow, supplying oil to rocker arms) | 20 Rocker Shaft |
| 7 Plate type oil cooler | 16 Rocker arm bearing | 21 Oil passage in cylinder head |
| 8 Lube oil filter | | |
| 9 Safety valve (not shown) (In -built in Lube oil filter) | | |

Oil pressure:

At low idle speed	minimum 21 PSI
In normal working condition when engine is warm	70 to 80 PSI
At loaded condition in operating range	36 to 78 PSI

Oil temperature:

The maximum oil temperature for KP-Series engines is ambient temperature plus 158°F (70°C). For example, if ambient temperature is 104°F (40°C), the maximum oil temperature should be 230°F (110°C).

Oil consumption:

Oil consumption for broken-in engine under normal load condition = 0.3 % of fuel consumption

NOTE: Prime applications

1. During the run-in period of first 50 hours, never exceed full load even for a short duration; this applies to stationary applications like power-generation application.
2. During the run-in period, the oil consumption is slightly more than the amount mentioned above.
3. The oil consumption varies according to engine operating conditions. The value mentioned above is for the normal engine operating condition.

Oil sump capacity and oil change intervals:

The oil sump capacities and oil change intervals of KP-Series engines are presented in the following table. These capacities are for the standard cast-iron and standard sheet metal sumps.

ENGINE TYPE	KP6
Oil sump	S.M.
Initial fill	12 quarts (11.4 liters)
Refill	12 quarts (11.4 liters)
Oil specifications SAE-30 (low ash), see assembly	Oil change interval: 750 hours

Cooling System

Radiator-type cooling system

The typical water circuit with radiator-type cooling system is shown in Figure 3.

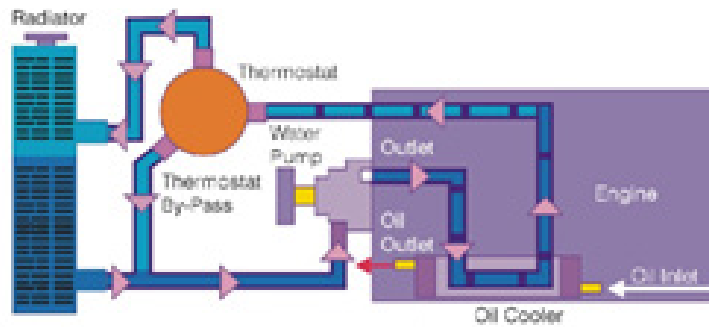


Figure 3

CAUTION

- To achieve the efficient cooling and optimum performance of the engine, use the radiator supplied by Arrow Engine.
- It is necessary to ensure proper ventilation to avoid hot air recirculation into the cooling system.

Coolant

In summer, use fresh water with anticorrosion additive for engine cooling to avoid rust formation. Water should be clear and free of any corrosive chemicals such as chloride, sulfates, and acids.

We recommend to use coolant blend of soft water and a rust-preventive compound.

In winter, use ethylene glycol antifreeze diluted with coolant blend as mentioned above in the proportion in the cooling system as listed in the following table:

AMBIENT TEMPERATURE RANGE	RATIO BY VOLUME OF ANTIFREEZE TO COOLING WINTER BLEND
+23°F to +41°F (-5°C to +5°C)	20:80
+5°F to +21°F (-15°C to -6°C)	33:67
-13°F to +3°F (-25°C to -16°C)	40:60
Below -25°F (-32°C)	50:50 (maximum permissible ratio)

- Commercially available ready-mixed coolants can also be used with antifreeze and anticorrosion additives after determining suitability for low ambient temperature.
- Storage of engine with only fresh water in engine-cooling system should be avoided at ambient temperature below 32°F (0°C). This may cause cracks in the engine components.
- If the engine is to be transported from normal ambient areas to low ambient areas below 41°F (5°C), drain the complete cooling system and refill with antifreeze and water mixture as mentioned above.

Electrical System

Electrical equipment

Standard engines are equipped with 12V, negative-ground electrical starting system without battery and leads.

12V electrical system — for both alternator and starter

MANUFACTURER	SPECIFICATION	REMARKS
Arrow Engine	12V	Common for 3- to 6-cylinder engines

Battery and Cables

- Minimum 750 CCA battery required
- Recommended battery cable size of 1/0

Engine Operation

Commissioning

Before you start a new or overhauled engine, follow the instructions below.

Oil

Fill the engine with oil through oil-filling neck (Figure 4). For oil quantity, grade, and viscosity, see previous sections discussing oil sump capacity.

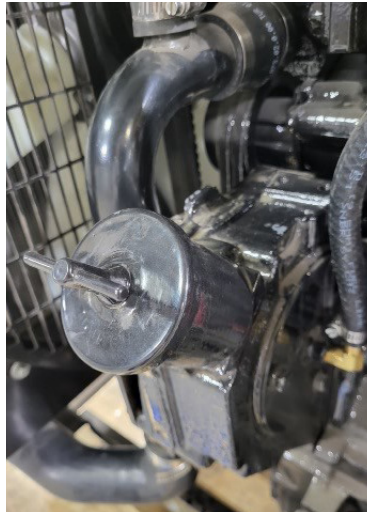


Figure 4

Cooling system

Do not open the radiator cap while engine is running or hot. The cooling system is under pressure, and therefore poses a danger of burning skin.

Add coolant when the coolant system is cold. The temperature difference between the coolant in the engine and the coolant being added must not exceed 122°F (50°C).

Belts

Check for correct belt position and belt tension. If the belt tension is not correct, adjust the same as described in the Belt Drives section of this manual.

Valve clearance

Accurate valve clearance settings prolong engine life and aid performance. In addition to impairing performance, excessive clearances are detrimental to camshafts and valve lifters.

On the other hand, when the clearances are too tight, the possibility of burned valves increases.

It is not necessary to check or adjust the valve clearance on new engines because it is already adjusted at its required value. After the first 50 hours of operation, however, it is recommended to recheck and adjust the valve clearance. See Checking Valve Clearance section in this manual.

Other preparations

Check battery and lead connections. Also check cable connections at the starter and alternator. Loose connections lead to improper contact and damage to the terminals.

1. For trial run starting instructions, see section on Engine Starting.
2. After completing the preparations, run the engine for 10 minutes without load.
3. Check engine for oil and water leakages; fix as necessary.
4. Stop engine after trial run. With engine stationary, check the oil level. Top off oil if necessary.
5. Check V-belts; see section on Belt Drives.

Engine Starting

Before starting, make sure no one is standing in close proximity to the engine-driven machine.

After repairs

1. Make certain that all safety guards are returned to their original position.
2. Ensure all tools are removed from the engine and the driven machine.

Engine Stopping

Never stop the engine suddenly when running on load. First, allow the engine to run on no-load for 5 minutes, then stop the engine.

To stop the engine, follow these instructions:

1. Press the stop push button until the engine is completely stopped.
2. Turn the key counterclockwise to OFF position.
3. After stopping the engine, close any manual fuel valves.

Operating Conditions

Operation in winter — oil viscosity

Select specified viscosity grade to meet the performance level for the ambient temperature prevailing at the time of starting the engine.

Note shorter periods between oil changes when operating below 14°F (-10°C).

Battery

Cold starting requires a good battery charge. Lowering the starting limit temperature by 39°F to 41°F (4°C to 5°C) is possible by increasing the battery temperature to approximately 68°F (+20°C). Remove the battery and store it in a warm room or use battery-preheating pads to achieve this.

Engine coolant

Use coolant blend with antifreeze ethylene glycol for operations below 41°F (+5°C). The percentage of mixing the antifreeze into water according to ambient temperatures is given in the Coolant section.

High ambient temperature and/or high altitude

With increasing altitude or ambient temperature, the air density decreases, which affects the following conditions:

1. Maximum power output of the engine
2. Exhaust gas temperature
3. In extreme cases, the starting behavior

Service and Maintenance

Maintenance of Lubrication System

Checking oil level

1. Stop the engine and wait until oil level in the sump is settled. Ensure that engine is in horizontal position.
2. Pull out dipstick and wipe it with a clean rag. Push it in as far as it will go, then withdraw again (Figure 5).

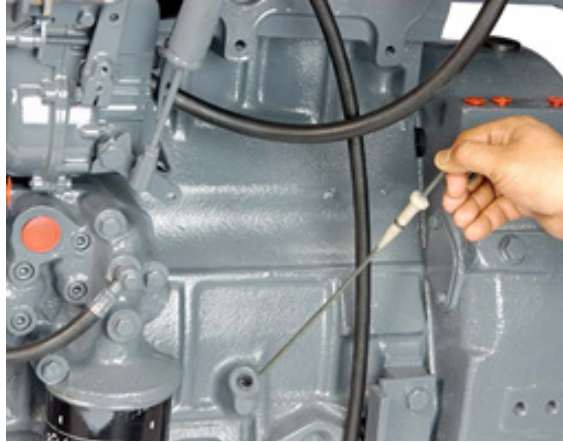


Figure 5

3. The oil that appears on the dipstick should extend to the upper (maximum) mark. If the level reaches only the lower mark, the oil should be topped off.

CAUTION

Failure to top off oil may result in serious damage to the engine, causing piston and bearing seizure.

Changing engine oil

1. Change engine oil at recommended intervals.
2. Run engine until warm (oil temperature approximately 176°F (80°C)).
3. Stop the engine (Figure 6).

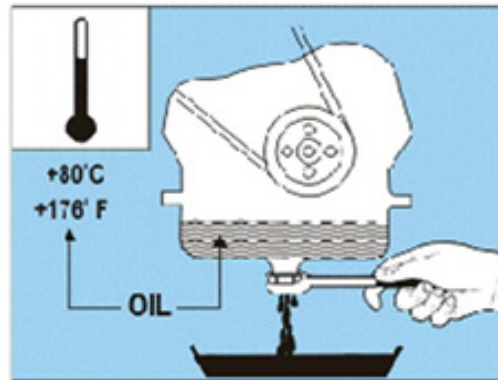


Figure 6

4. Place oil tray under drain pipe.
5. Unscrew oil drain plug on the end of drain pipe and drain oil completely (Figure 7).



Figure 7

6. Collect used oil in receptacle suitable for proper disposal to prevent environmental pollution.
7. Reinstall oil drain plug with new gasket and tighten.
8. Fill with fresh oil.
 - For oil sump capacity, see section on Oil Consumption.

WARNING

Be careful when draining hot oil. There is danger of severely burning skin!

Oil filter

Replace spin-on oil filter cartridge during every oil change.

1. Remove oil filter cartridge with special tool and spin off (Figure 8).



Figure 8

2. Clean sealing surface of filter carrier (Figure 9).



Figure 9

3. Fill the new cartridge with oil before assembly.
4. Apply light film of oil to rubber seal of new cartridge.
5. Screw cartridge into place by hand until seal is evenly seated.
6. Tighten oil filter cartridge firmly by giving a final half turn (Figure 10).



Figure 10

7. Check oil level and oil pressure.
8. Check seal of oil filter cartridge for leaks

Belt Drives

On KP-Series engines, a separate fan drive with two belts is provided in addition to a single belt drive for engine water pump, radiator fan, and battery charging alternator (Figure 11).

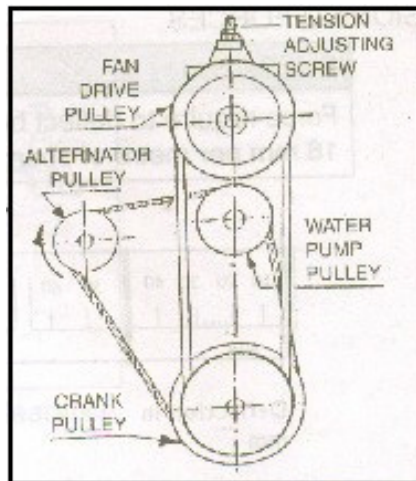


Figure 11

Check belt tension for the fan drive in a similar process. If necessary, adjust the fan belt tension with the help of the tension-adjusting screw provided on the fan drive arrangement.

Adjustments

Checking and adjusting valve clearance

The valve clearance is the necessary gap between the rocker arm toe and valve stem end (Figure 12). Engine performance and power output depend on its correct setting, which can be performed by a skilled mechanic according to the following instructions:

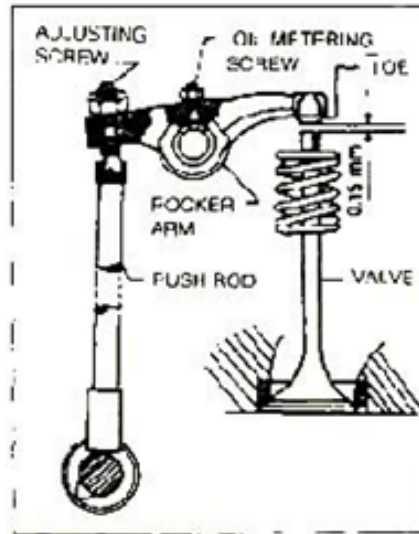


Figure 12

Checking valve clearance

1. Check clearance when engine is cold (at room temperature).
2. Remove the rocker cover.
3. Turn crankshaft until the valves of the cylinder (on which the clearance is being checked) are overlapping (exhaust valve about to close, inlet valve about to open).
4. Continue turning the crankshaft through 360 degrees (one complete revolution). At this position, both valves are closed.
5. Insert a feeler gauge of 0.010 inch in the gap between rocker arm toe and valve for all inlets. The valve clearance is correct when the filler gauge can be inserted with a slight drag. If this fails, the valve clearance must be readjusted as follows:

Adjusting valve clearance

1. Loosen the lock nut of adjusting screw with one or two turns. Adjust the screw with screwdriver so that when locknut is retightened, the feeler gauge of 0.010 inch can be inserted and withdrawn with slight drag (Figure 13).



Figure 13

2. Similarly, check the valve clearance of exhaust valve with 0.012-inch feeler gauge. Readjust if necessary.
3. Check the valve clearances of each of the remaining cylinders and readjust, if necessary.
4. Do not change the setting of the oil metering screw unless required. With hot engine running at idle, an oil flow to pad at rocker arm must be noticeable. An excess oil flow can lead to higher oil consumption.

Settings

Lifter clearance (in cold condition only)

Inlet = 0.25 mm (0.010 inch)

Exhaust = 0.30 mm (0.12 inch)

Tightening Torque

Tightening high-tensile fasteners by angular method

The angular tightening procedure differs from the one usually applied. The tightening angle is particularly important. The clock (Figure 14) indicates how the various angles can be readily obtained by comparison of the clock face.

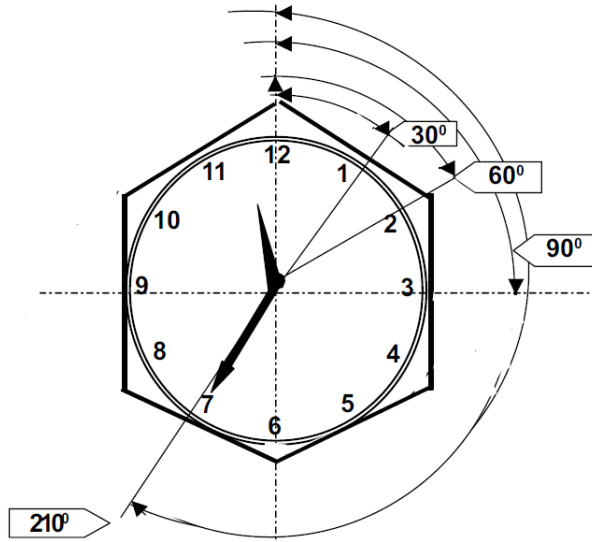


Figure 14

CAUTION

To avoid faulty assembly, perform the following procedure regarding the angular tightening of high-tensile fasteners.

1. Clamp a tommy bar extension in the slot of the angular tool. A specified angle can be turned with reference to the graduation stamped on the outer dial of the angular tool or in relation to the hex head of the bolt which can also be used as a reference.
2. Before fitting the bolt, lightly lubricate the threads and the seating face of the bolt head with fresh engine oil.
3. Hand-tighten the bolt until it rests on the seating face of the bolt head.
4. Apply the initial torque as shown in the tightening table.
5. Tighten the bolt by angular torque, as required in stages shown in the tightening table.

ITEM NO.	DESCRIPTION	INITIAL TORQUE FT.-LBS.	TIGHTENING METHOD ANGLE / FT.-LBS.			TOTAL ANGLE TORQUE
			Stage 1	Stage 2	Stage 3	
1	Bolt for balance weight (M12 X 1.75 X 60 mm long 10.9)	22	30 degrees	30 degrees	-	60 degrees
2	Bolt for main bearing cap (M14 X 2 X 128 mm long 10.9)	22	60 degrees	45 degrees	-	105 degrees
3	Bolt for connecting rod (M12 X 1.5 X 55 mm long 10.9)	22	30 degrees	60 degrees	-	90 degrees
4	Bolt for crank pulley (M24 X 2 X 100 mm long 10.9) without power takeoff	36	25 degrees	48 degrees	-	48 degrees
5	Bolt for flywheel (M10 X 1 X 45 mm long 10.9)	22	30 degrees	60 degrees	-	90 degrees
6	Bolt for flywheel housing (M10 X 1.5 X 40 mm long 10.9)	36	-	-	-	36 ft.-lbs.
7	Bolt for cylinder head (M12 X 1.75)	22	43 ft.-lbs.	0 ft.-lbs.	87 ft.-lbs.	87 ft.-lbs.
8	All M8 X 1.25 screws and bolts 8.8	18	-	-	-	8 ft.-lbs.
9	All M10 X 1.5 screws and bolts 8.8	25	-	-	-	25 ft.-lbs.

Table: Tightening torque for fasteners

The tightening torque sequence for cylinder head bolts for KP6 engines is shown in Figure 15.

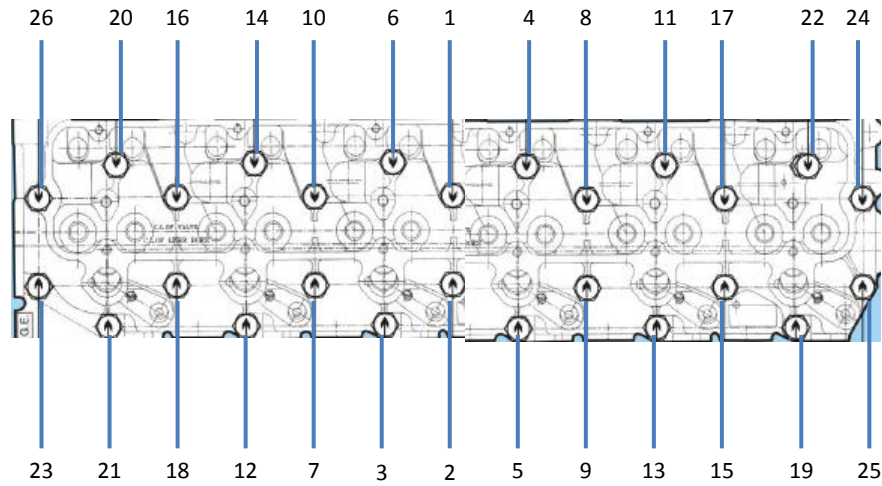


Figure 15. Cylinder Head Torquing Sequence – KP6 Engine

Checking Flatness Method

- Place the straight edge on the polished surface of the head.
- Pass a feeler gauge between the straight edge and the head (not under valve cavities).
- If a feeler gauge thicker than specified passes through the gap (refer to specification data), the face of the head must be refaced.
- Correct the flatness by refacing the head.
- Using a large thick-plate glass, smear emery paste over the glass surface. Sprinkle diesel on the paste so that it spreads evenly when refacing. Place the head, face toward the plate, and lap. Lap it with an even pressure and lengthwise, until the high spots are removed. If this fails to reduce the gap, replace the cylinder head.
- This task can also be performed in a well-equipped machine shop.
- On turbocharged engines, also check exhaust and inlet manifold seating faces for flatness.

Inspecting Valve Recess in Cylinder Head

Before dismantling the valves, check the valve recess. The valve recess is the distance between the valve face and the cylinder head face. This can be checked with the use of a straight edge and a feeler gauge. Insert the feeler gauge between the valve face and the straight edge. If the gauge passes through the gap effortlessly, the gap is more than specified (refer to specification data). In such case, the valve — possibly the valve seat insert or even both the valve and valve seat insert — must be replaced.

Replacing Valve Guides

- Punch out the old valve guide from the valve cavity side of the head.
- Clean the guide bores with a cloth.
- Check bores for scoring or other damage.
- Insert the wire snap ring onto the machined guide.
- Press the valve guide from cylinder head top until the wire snap ring rests on the cylinder head.
- Press new stem seals onto the guide.
- If the guide bore in the head is damaged and must be oversized, semi-finished valve guides are available for this purpose.

NOTE: It is recommended that all bores should be oversized together to the same diameter, even if only one or two guide bores are damaged.

Replacing Valve Seat Inserts

- Remove the valve seat inserts with a chisel. Take care not to damage the insert bore in the cylinder head.
- Alternatively, insert can be removed by cutting on an appropriate lathe in machine shop.
- Remove old valve guides.
- Clean and remove all burr particles from the bore.

NOTE: Inlet valve seat insert and exhaust valve seat insert diameters are different.

- Fit new valve guides.
- Cool the valve seat inserts in dry ice for approximately 20–30 minutes or cool in liquid nitrogen for 5–6 minutes. Fit in the head bore and press immediately.

CAUTION

When using liquid nitrogen, avoid direct contact with this coolant to prevent injury to the body due to its subzero cooling effect. It is recommended to wear gloves when working.

- Fit inlet valve seat insert.
- Fit exhaust valve seat insert.
- Ensure the seats are fitted squarely and completely in the bore.

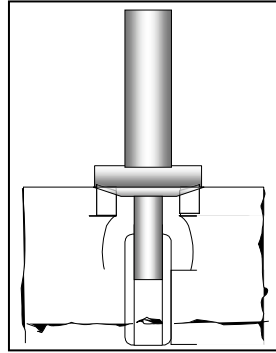


Figure 16

Assembly of Piston and Connecting Rod

- Apply oil to the piston pin and connecting rod S.E. bushing.
- Install a circlip in one end of the piston pin cavity.
- Assemble the connecting rod to the piston. Ensure the “AC” mark punched on the piston crown is on the opposite side of the connecting rod cap.
- Press the pin into the assembly. Piston pin is clearance-fit and should be fitted by pushing with the thumb, not driving with a hammer.
- Fit the second circlip in place.

Checking Piston Ring Butt Clearance

- Butt clearance (end clearance) is the gap between piston ring ends. This gap is crucial and should be maintained as specified in the manual. Check butt clearance with new rings.

Method:

- Insert one piston ring at a time in the liner. To set the ring squarely inside the liner, push it down of liner with a piston (Figure 17).
- Measure gap between ring openings with a feeler gauge.
- Keep the checked rings in the respective liner.
- Follow this procedure with the next set of rings in another liner.
- Repeat the procedure with the remaining rings of the set.
- This way, rings checked in a liner should be installed in that respective liner only.

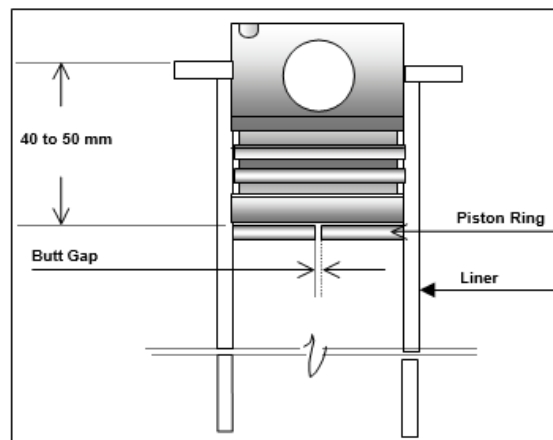


Figure 17

Checking Internal Diameter of Main and Connecting Rod Bearing Shells

- Main bearings are available in two halves, in finished condition, and available in four undersize. Because these are thin-walled bearings, they should be pre-loaded in the main bores.
- During fitting, the bearing shells should not be scraped, touched, or polished. The bearing shells should be cleaned only in clean fuel oil and fitted. Under no circumstance should bearings be wiped after cleaning.
- Set dial gauge to the correct size (standard or oversize). Measure the bearing ID at two planes and at as near the bearing parting line and at vertical.
- Record the values and check these with the specification data.

Fitting of Piston Rings on Piston

- Before fitting the piston rings in the piston ring groove, ensure the following:
- When installing piston rings, the manufacturer's name or "TOP" stamp should be facing the piston crown.
- Install correct rings in their proper sequence (Figure 18).
- Piston rings should be installed with a ring expander to avoid premature failure.

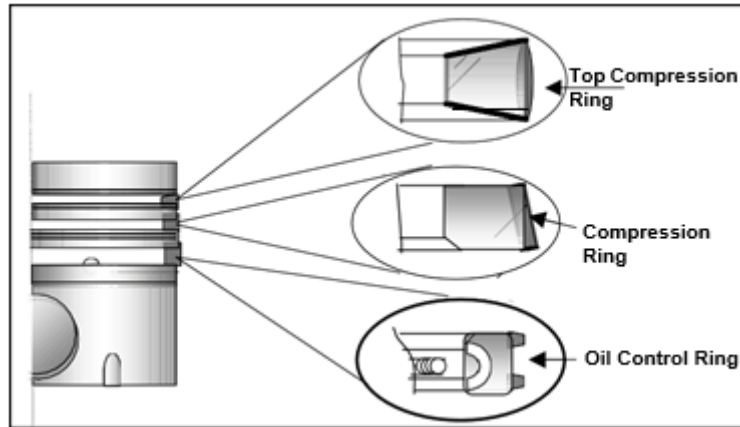


Figure 18

- Ring gaps are to be spaced at 120°. Gaps should not be set along the axis of the piston pin (Figure 19).

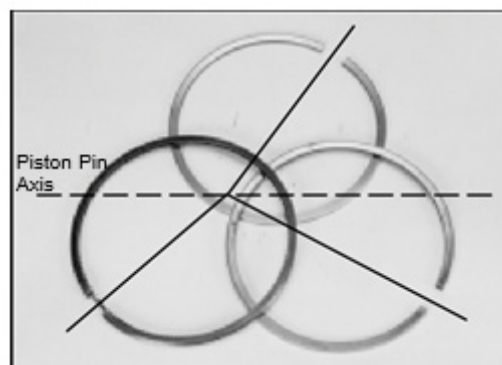


Figure 19

Fitting Crankshaft in Crankcase

- Wipe clean the crankcase main bearing bores and caps where the bearings sit.
- Fit the bearing shell halves in the crankcase bearing cavity and the bearing caps without applying any oil to the bearing back.
- Make sure bearing shells are fitted correctly and are engaged properly in the locating notches.
- Fit the correct-thickness thrust washer in their respective slots provided in the locating bearing bore and cap (nearest to the flywheel).
- Wipe the crankshaft journals.
- Lightly wipe the bearings in the crankcase. Apply fresh lubricating oil with a brush to the journals, bearings, and the thrust washers.
- Lower the crankshaft in the crankcase.
- Rotate the crankshaft and ensure that it is free.
- Check the cap numbers, apply oil, and fit the caps with dowels.
- While fitting the caps, ensure the following:
 - a. Serial number on crankcase and main bearing caps are the same.
 - b. Caps are fitted sequentially in ascending order (1, 2, 3, 4, 5) starting from the flywheel side.
 - c. The bearing locating notches on the crankcase and bearing caps are on the same side.
- Tighten the main bearing caps as follows:
 - a. Lubricate the bolt threads with engine oil.
 - b. Apply initial torque with torque wrench. (See Table regarding tightening torque.)
 - c. Torque the caps starting from center going outward.
 - d. Finally tighten by angular method in steps, tightening from the center cap and going outward. (See Torque table.)
 - e. Rotate the crankshaft hand and check that it is free and smooth.
 - f. Check the crankshaft end play (Figure 20).

Checking Crankshaft End Play

- Crankshaft end play can be checked with either a feeler gauge or a dial gauge. For accurate reading, the dial gauge is preferred.

With Feeler Gauge:

- To check end play, shift the crankshaft with a lever toward the flywheel end side. Insert the feeler gauge in the gap at the flywheel end side between the thrust washer and the crankshaft locating journal face, then check the clearance with dial gauge.
- Fit a dial gauge with a magnetic base on the crankcase either on the gear side or the flywheel end side (Figure 20). Push the crankshaft away from the dial gauge with a lever. Set the dial at zero (0). Again, move the crankshaft toward the dial gauge and take the reading.

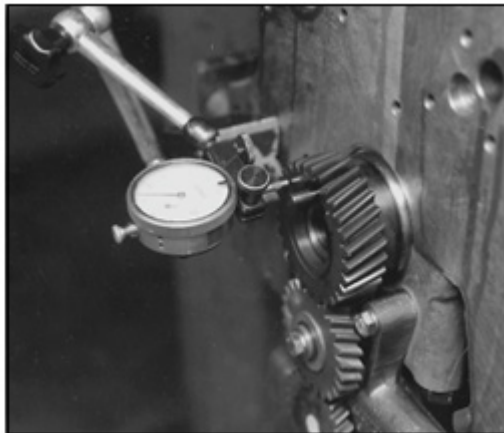


Figure 20

Fitting Piston and Connecting Rod Assembly in Liner

- Select the assembled piston and connecting rod assembly. Check the cylinder number punched or etched on it.
- Set the piston rings gaps at 120° intervals. Ensure ring gaps are not in line with axis of the piston pin.
- Lightly lubricate piston rings with fresh engine oil.
- Set the ring-inserting guide tool onto the piston with rings.
- Remove the connecting rod cap from the connecting rod, keeping the bearing halves in place.
- Wipe the crank pin and cylinder liner. With a brush, apply fresh engine oil to the crank pin and cylinder liner.
- Turn the crankshaft and bring the respective cylinder crank pin to top dead center (TDC).
- Insert the connecting rod from the top of the liner, ensuring the “AC” mark on the piston crown is toward the camshaft or lifter side.
- Tap the piston into the liner with a wooden handle. At the same time, guide the connecting-rod large-end bore toward the crank pin until it snugly fits onto it.
- Recheck fitting of the connecting rod onto the crank pin.
- Lubricate bearing shell in the cap. Fit the cap, ensuring that both bearing notches are on the same side.
- Tighten the connecting rod bolts firmly and evenly.
- Follow the same procedure with the other piston and connecting rod assemblies.
- After all connecting rods are fitted and tightened, torque the bolts according to specification. (See Torque table.)
- Check that connecting rod is free in its end play.

Valve Lapping

Before proceeding with valve lapping:

- Check that the valve recess is within the prescribed limit (refer to specification data). If not, replace the valve and/or the valve seat.
- Check condition of both the valve face and the valve seats in the head.
- If the valve face is in relatively good condition, only light lapping with a fine lapping paste will be required to ensure a good seating.
- If valve face is damaged, the face must be refaced to the correct angle without reducing the rim thickness.
- If the valve rim thickness is already reduced, replace the valve.
- Check the valve stem diameter for wear and tear. Replace valve if required.
- Similarly, if the seat in the head must be refaced, the refacing will be accomplished with a seat-grooming tool to the required angle. It is recommended to fit new valve guides before recutting or fitting new valve seats.
- Replace valve seat if damaged beyond repair.

Valve lapping:

- Thoroughly de-carbonize and clean the valve and cylinder head before proceeding with valve lapping.
- Apply a small quantity of coarse lapping compound all around the valve seat.
- Dip the valve stem in fresh clean oil. Insert the numbered valve into the respective valve guide.
- Lap the valve and seat by rotating the valve back and forth in a half turn with a gentle but firm pressure by means of a cupped valve-grinding tool.
- After every few turns, lift the valve off slightly from the seat and give it a half turn, then tap. This is essential to uniformly spread the grinding paste.

- Keep grinding until the rough gritty feeling of the coarse compound turns relatively smooth.
- Remove the valve, wipe the compound from the valve and seat, and check for a contact pattern. When a relatively good flawless pattern is achieved, proceed with the next step and lap the valve again with the fine lapping compound.
- After lapping, visually inspect both valve face and seat. The finished contact pattern on both should be even, without flaws, breaks, scratches, or depression marks (Figure 21).



Figure 21

NOTE: If a shining line or scratches are visible on the seats after lapping, it is possible that the lapping was performed with a heavy hand. Such valves must be lightly relapped again with the fine compound.

- Wash the valves and cylinder head with clean fuel to remove all traces of the harmful abrasive material and dry with compressed air.
- Before assembling the lapped valve assembly, confirm seating is good. This can be determined by a “pencil erase test.”
- Wipe and lightly lubricate the valve stem. Assemble valve in its original seat with valve spring and new stem seal, then lock it in position (Figure 22).



Figure 22. Fitting Sequence of Valve Assembly

- After locking valve, check sealing of the seats by performing the “fuel leakage test.”

Valve Checking with Pencil Erase Test

The pencil erase test is a simple test and should be performed before the valve is assembled and locked. This test ensures that the valve seat is properly lapped and the sealing is good.

Method:

- Draw a zigzag line on the lapped surface of the valve seat with a soft lead pencil (Figure 23).



Figure 23



Figure 24

- Fit the valve in its seat in the head. With a slight but firm pressure, turn the valve once to 90 degrees or one-quarter turn.
- Remove the valve from the cylinder head and inspect pencil line. The line over the seat should be completely erased (Figure 24). This demonstrates a proper seating and a good sealing.

Valve Checking with Fuel Leakage Test

- After assembling the lapped valves, lock the collar, spring, and cone in position with the valve collets. Pour clean fuel oil into the air inlet and subsequently exhaust gas ports.
- Check if the liquid leaks out between the valve face and seat (Figure 25).
- No fuel oil will leak out between the seats if sealing is effective.
- If sealing is ineffective, fuel will leak out between a valve and seat. This oil leak may be due to dirt on the valve seat. Tap the valve lightly on the stem with a hammer to remove the leak.

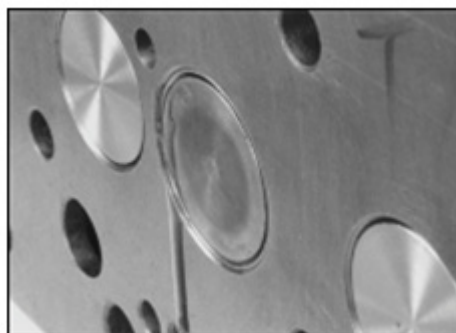


Figure 25

Inspection and Servicing of Oil Spray Nozzles

- Check the oil spray nozzle before reattaching to engine. Old, unserviceable oil spray nozzles should be replaced with new ones.
- The criteria to keep the old nozzles are as follows:
 - a. Minimum actuating pressure: 0.4 kg/cm² (minimum)
 - b. Minimum spray length: 40 mm (minimum)
 - c. Spray angle: 5 degrees at 40 mm length (radius of 25 mm)Measurements above can be checked by using a cardboard disc.
- Old spray nozzles left unchecked can lead to piston damage.

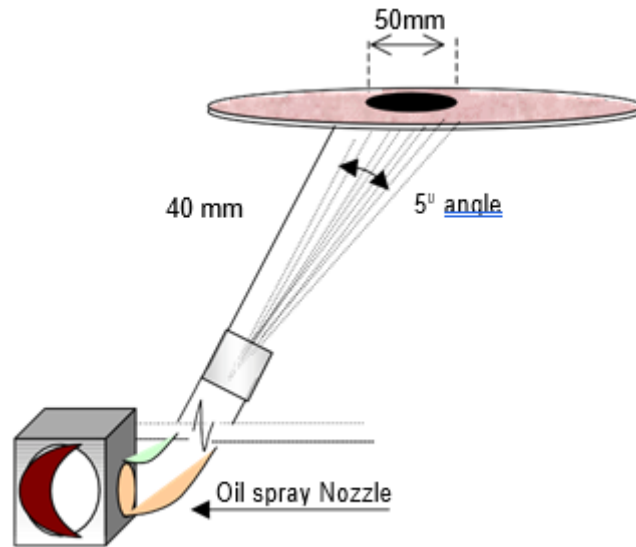


Figure 26

Checking Gear Backlash

- Backlash is the gap between gear teeth.
- To check gear backlash, fit a magnetic base dial gauge on the crankcase face.
- Set dial gauge pointer on a tooth of the gear required to be checked (Figure 27).
- Engage the gear to one side and set the dial to zero (0).
- Oscillate the gear back and forth within its free movement.
- Check the reading on dial gauge.
- Repeat this procedure at four places at right angles.

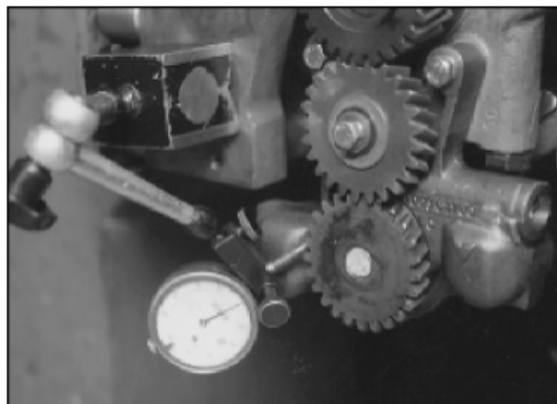


Figure 27

Recommended Gear Backlash

- | | | |
|----|------------------------------------|-----------------|
| a. | Intermediate gear – crank gear | 0.02 – 0.26 mm |
| b. | Oil pump idler gear – crank gear | 0.05 – 0.27 mm |
| c. | Oil pump driving gear – idler gear | 0.098 – 0.35 mm |
| d. | Cam gear – intermediate gear | 0.02 – 0.26 mm |

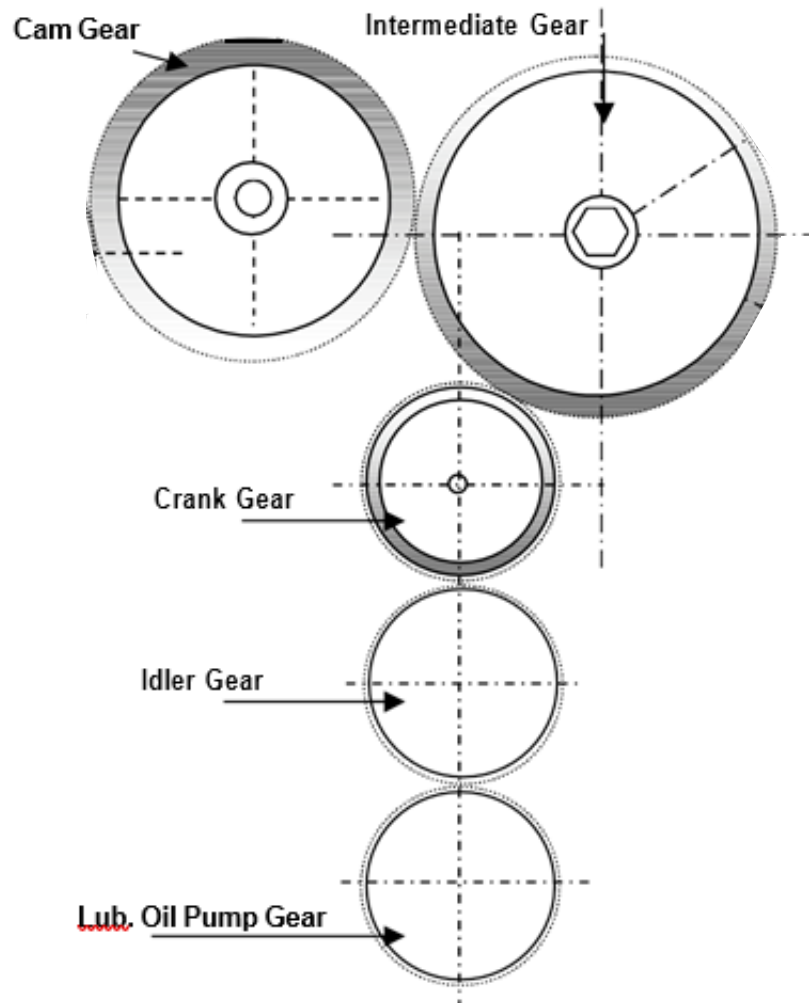


Figure 28. Gear Train

Valve Lifter Setting

Firing Order:

- | | | | |
|----|-------------------|-------------|--|
| 1. | 3-cylinder engine | 1-2-3 | Each cylinder will come to top dead center at 240° |
| 2. | 4-cylinder engine | 1-3-4-2 | Each cylinder will come to top dead center at 180° |
| 3. | 6-cylinder engine | 1-5-3-6-2-4 | |

Setting Process

- Bring the first cylinder (flywheel-end side) to top dead center (TDC) compression stroke. The “T” mark on the crank pulley will coincide with the pointer. Check that both inlet and exhaust valves are free; if free, do not move when the crankshaft is rocked back and forth. If valves are not free, rotate the crankshaft a full 360 degrees.
- Tools required: 6-inch screwdriver, a correct-size ring spanner, and a correct-thickness feeler gauge.
- Set the gaps on both the inlet and the exhaust lifters of the cylinder as specified (see specification data). The feeler gauge should slide firmly but freely in the gap.
- Turn the pulley clockwise until the next cylinder in firing order comes to TDC compression stroke. Continue with the process until all the cylinders are covered and all lifters are set (Figure 29).

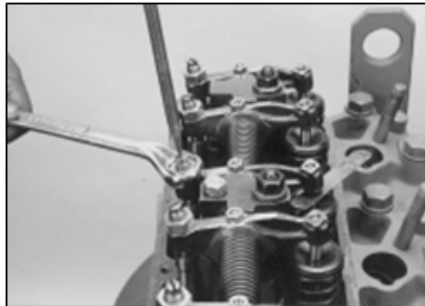


Figure 29

Servicing Spin-on Lubricating Oil Filter

- The spin-on filter should be replaced at every oil change, or whenever the oil is changed for any reason.
- Unscrew the filter cartridge counterclockwise, using a strap tool (commercially available).
- Remove the cartridge and dispose of properly.
- Clean the sealing surface of the filter carrier with a dry cloth.
- Apply a light film of oil with a brush to rubber seal of new cartridge.
- Screw cartridge into place by hand until the seal is evenly seated.
- Tighten the cartridge firmly by giving half a turn.

Inspection and Servicing Oil Cooler

The oil cooler is a stainless-steel disc-type plate cooler. It is located in a cavity provided in the lubricating filter header. In normal conditions, servicing for the plate-type oil cooler is not required, but if the cooler is removed for any reason then it must be serviced. To reach the cooler, you must dismantle and remove the filter header.

Servicing:

- Remove the cooler from the header by removing the bolt and special washer (Figure 30).

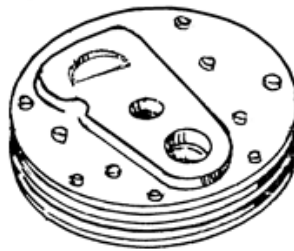


Figure 30

- Plug oil inlet and outlet openings of the coolers.
- Clean exterior surfaces of the cooler with soap and water. Use gasoline to remove rust or similar coatings.

CAUTION

Do not use acid-based or alkaline-based cleaners.

Avoid using sharp instruments because this may damage the cooler.

- In a container of clean solvent, dip the cooler element after removing the plugs. Clean the oil side of the cooler by vigorously shaking the element in the solvent. With the cooler still dipped in solvent, direct the compressed air slowly from the oil outlet to clean the inside of the cooler by agitation method. Rinse it twice in clean solvent and flush it with fresh lubricating oil.
- Install the cooler back in the header with new joint, and torque as specified.

SAFETY PRECAUTIONS

For details on safety rules and regulations in the United States of America, contact your local Occupational Safety and Health Administration (OSHA).

These safety precautions are published for your information. Arrow Engine Company, does not, by the publication of these precautions, imply or in any way represent that these published precautions are the sum of all dangers present near industrial engines. If you are operating industrial engines, it is your responsibility to ensure that such operation is in full accordance with all applicable safety requirements and codes. All requirements of the U.S. Federal Occupational Safety and Health Administration Act must be met when Arrow engines are operated in areas that are under the jurisdiction of that U.S. department. Engines operated in countries other than the United States of America must be installed, operated and serviced in accordance and compliance with any and all safety requirements of that country.

Bodily Protection

Wear OSHA-approved protection for body, sight, hearing, and respiratory system. Never wear loose clothing, jewelry, or long hair around an engine.

Exhaust Gases

Engine exhaust products are toxic and may cause injury or death if inhaled. All engine installations must have an exhaust discharge pipe so that exhaust gases are delivered into the outside air. A closed building or shelter must be adequately vented to provide a steady supply of fresh air.

Engine Fuels

Natural gas is highly combustible and may ignite or explode. Fuels must be connected to the engine with proper piping, free from leaks, and designed to resist breakage from vibration. When servicing engine, never smoke or use open flame in the immediate area. Fuel tanks should be grounded to prevent buildup of static electricity. If a gas engine has been cranked excessively without starting, shut off the gas fuel supply and ignition. Then crank the engine to purge the cylinders and exhaust system of accumulated, unburned gas. If you fail to do this,

a spark plug could ignite the gas and cause an explosion. See the Fuels section of this manual for more information.

Positive Fuel Shutoff

Use of positive fuel shutoff shall be provided. Pressurized fuels (such as natural gas, liquefied petroleum gas, vapor petroleum gas) must have an automatic positive shutoff valve. Gas mixer does not provide gas shutoff protection. It is the final responsibility of the engine owner to ensure that an electric lock-off valve was installed and is free from fuel leakage, and that the installation meets all applicable codes. See Fuels section for more information.

Safety Guards

Engines must be provided with guards to protect persons or structures from rotating or heated parts. It is the responsibility of the engine owner to specify or provide such protection.

Ignition Systems

Ignition systems can cause electrical shocks. Avoid contacting ignition components and wiring.

WARNING

If a gas engine has been cranked excessively without starting, shut off the gas fuel supply and ignition. Then crank the engine to purge the cylinders and exhaust system of accumulated, unburned gas. If you fail to do this, a spark plug could ignite the gas and cause an explosion.

Cooling System Pressure Caps and Connections

Do not remove the pressure caps while the engine is operating or while coolant is hot. The cooling system is under pressure, and severe burns could result from the hot coolant spewing out when the cap is removed. Wait until the engine and coolants have cooled before removing the radiator or surge tank caps. Always replace worn hoses, lines, and fittings.

Generator Sets

The voltage produced by generator sets is dangerous. Severe, possibly fatal shock may result from contact. Make sure the generator set is grounded before operation. Be careful when the unit or surrounding area is damp or wet.

When servicing any part of the electrical system or making any connections, make sure main power switch is OFF. Clean or service generator set only when engine is shut down.

In case of an accident from electrical shock, shut down the generator at once. If it cannot be shut down, free the victim from the live conductor. Avoid direct contact with the victim. Use a dry board, dry rope, or any nonconducting implement to free the victim. If victim is unconscious, perform cardiopulmonary resuscitation (CPR) and seek medical help.

Do not operate the generator with the ammeter circuit open. Voltage, dangerous to both equipment and personnel, can be generated in an open secondary circuit of a current transformer.

If the generator set is stopped by operation of safety devices, do not attempt to operate it until the cause has been eliminated.

When the generator set is shut down after operation, disconnect all line switches to all external power load and parallel circuits.

Repair and Service

Always stop the engine before cleaning, servicing, or repairing the engine or driven equipment. Place all controls in OFF position to prevent accidental restarting. If possible, lock all controls in the OFF position. Put a sign on the instrument panel warning that the engine is being serviced. Before restarting, make sure that all tools and other material are removed from the engine and equipment.

Proper service and repair is important to the safe, reliable operation of engines and related equipment. The procedures recommended by Arrow Engine Company in this manual are effective methods for performing service and repair operations. Some of these procedures require the use of

specially designed tools. The special tools should be used as recommended. Anyone who uses a service, repair, or installation procedure not recommended by Arrow Engine Company must satisfy themselves that their safety will not be jeopardized by the service methods they select.

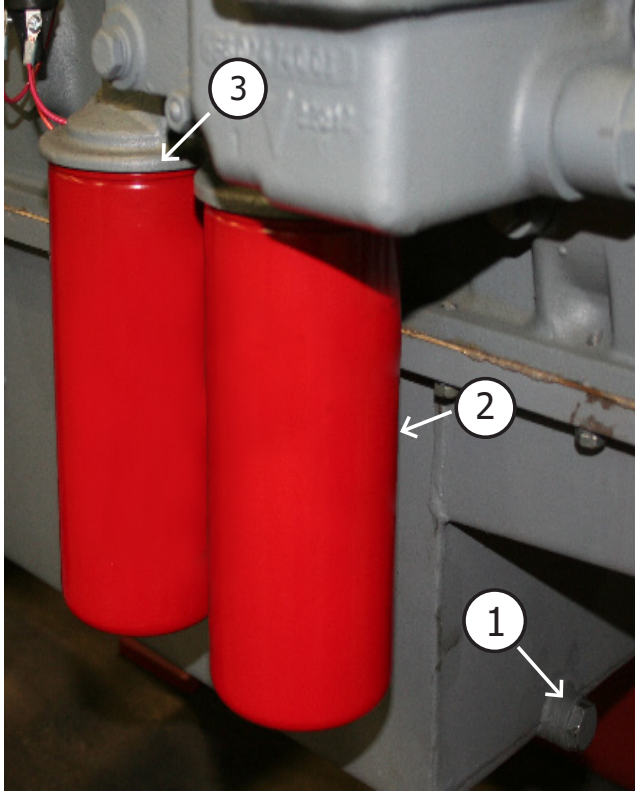
Housekeeping

Good housekeeping results in a clean, safe work area. An orderly work area with clean walkways and neatly arranged tools and equipment is a major factor in accident prevention.

Engine Fan Blades

1. Do not operate the engine with a fan which is bent, mutilated, modified, or damaged in any way.
2. Do not operate the engine if the fan contacts or strikes any engine accessory or the radiator shroud or core.
3. Do not rebalance the fan. Replace fan if damaged.
4. Ensure that all bolts attaching the fan are securely installed to the proper torque.
5. Perform all required maintenance on the subassembly to which the fan is attached (water pump, fan drive, etc.). See operation and service section of manual.
6. Do not modify or substitute any parts of the engine without the approval of Arrow Engine Company. Take special care not to make modifications, which will increase the operating speed of the fan.
7. Replace the fan if signs of excessive corrosion or erosion appear on the fan.
8. For reversible or adjustable pitch fans, make sure the blades are correctly locked in the proper position prior to operation. Also, inspect the fan prior to operation to ensure that ice and dirt have not accumulated, causing potential unbalance of the fan.
9. Be sure all fans, fan drives, and belts are properly shielded.

Oil Change Procedure



1. Start engine and run until reaching operating temperature.
2. Place an oil pan under the engine.
3. Remove the drain plug (1), paying attention to the seal ring on the plug (if applicable).
4. Drain the oil.
5. Replace the drain plug (1) with seal ring (if applicable).
6. Replace the oil filter elements.
 - Remove the oil filters (2).
 - Apply oil on the filter seal rings (3) and tighten the new filter element by hand.
7. Fill with clean oil up to the full mark on the dipstick.

8. Operate the engine for a few minutes to circulate the oil throughout the system. Check tightness of the new oil filter element while the engine is running.
9. Stop the engine and check to see if any additional oil is required. Top off the oil level to the full mark.

Not all oils in every type of engine will give maximum service. Therefore, be careful to examine the oil after the first draining to determine its performance level while in service. Trial periods of 10 hours are suggested. At the end of such periods, carefully inspect the oil depth gauge for sludging, frothing, and emulsification. These conditions call for more frequent changes or a different oil. In cold weather operation, low oil temperatures – below 160°F (71.1°C) – are likely to cause sludge formation. Temperature control devices such as curtains or shutters should be used if needed to maintain the oil temperature around 180°F (82.2°C).

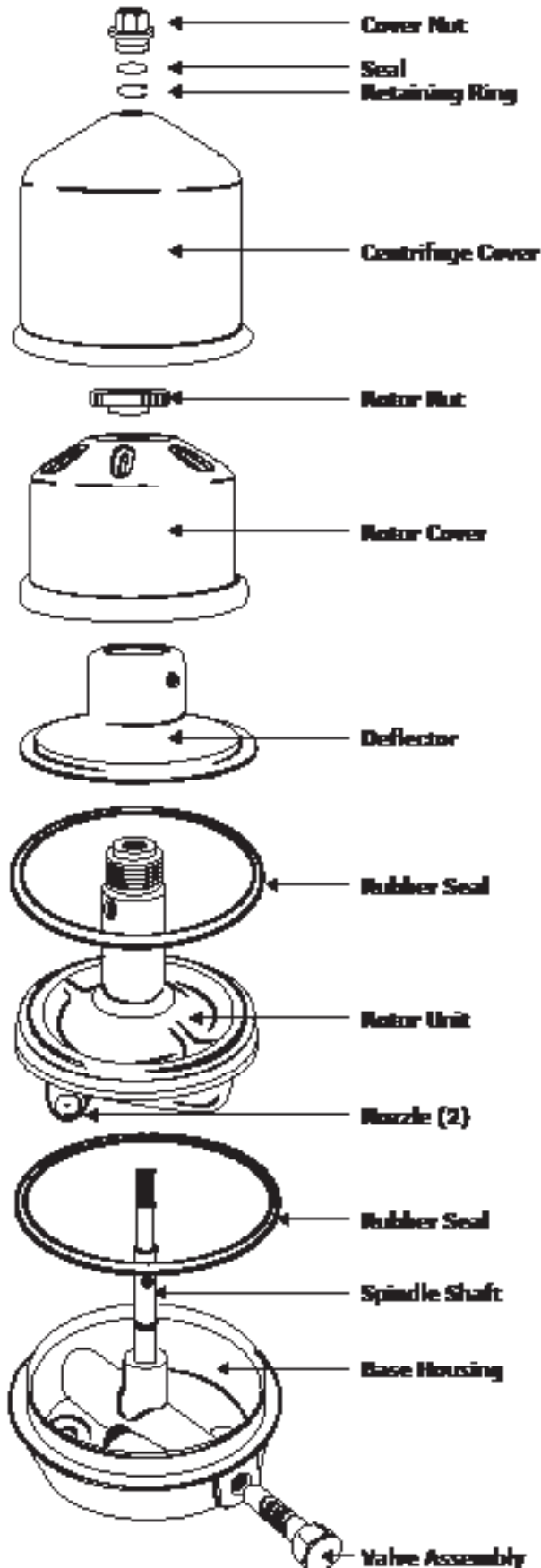
Oil Filters

Full-flow filters are an integral part of the lubrication system. Never block off the filter, even temporarily, when running the engine. ALL OIL GOING TO THE ENGINE MUST PASS THROUGH THE FILTER. Therefore, it is important when changing oil that the element be changed and the filter parts thoroughly washed to prevent clogging or blocking of the oil flow to the engine. At the same time, the bypass valve should be examined for proper operation. To ensure a clean job without leaks, handle the filter seal gasket carefully and replace it at the same time as the element.

Centrifuge Oil Filter

The centrifuge oil filter cleans the engine continuously when the engine is running. It separates dirt less than 1 micron from engine oil, thus lowering the wear rate of engine components drastically. It avoids harmful oil degradation and prevents depletion of oil additives, increasing the oil life. The centrifuge cleaner does not require any spare parts to be replaced and gives consistent performance throughout engine life.

CENTRIFUGE OIL FILTER

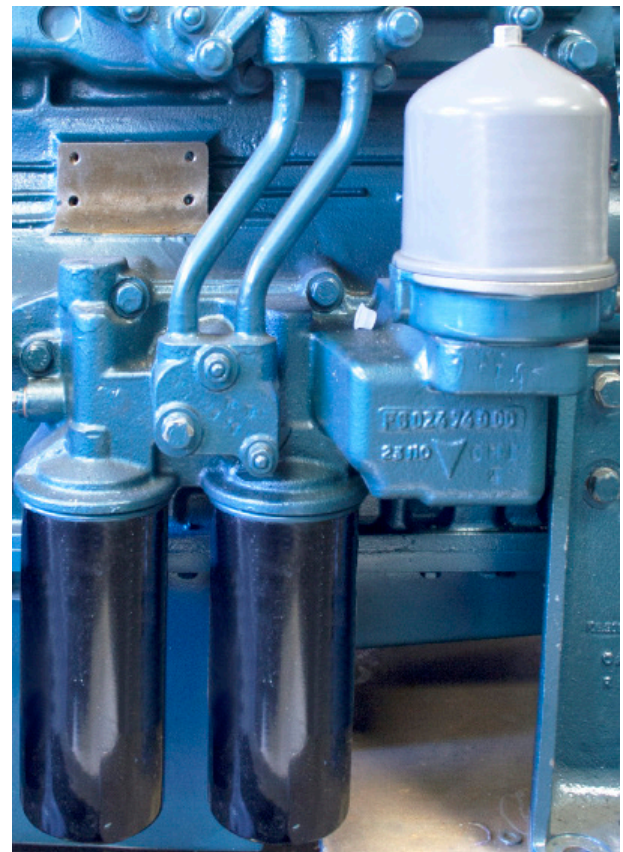


Cleaning Frequency

For consistent performance, the centrifuge rotor must be cleaned periodically. It is recommended that you service the centrifuge filter at every oil change interval. The volume of dirt collected depends upon engine application, loading, and environment in which engine is working. Exact time of servicing the centrifuge can vary depending on your oil change intervals. Follow the instructions below for cleaning the centrifuge filter.

Identification and Location

The centrifuge is located on the same manifold on which the full-flow oil filter is mounted. The centrifuge can be easily identified with a dome-shaped cover bearing instruction sticker. See location in photo below.



Servicing Instructions

- Centrifuge is a precision assembly; handle with care.
- Service centrifuge preferably when the engine oil is still warm.
- All threaded parts in this centrifuge assembly have right-hand threads.

- Servicing of centrifuge requires these tools: 13 mm wrench, a dull knife, small adjustable pliers, and waste rags for cleaning.

Servicing Procedure

1. Unscrew top nut with a 13 mm wrench and remove centrifuge cover. The centrifuge cover nut has a puller arrangement so that the cover will be lifted as you unscrew the nut.



2. Hold the rotor in hand and lift to remove it completely from central shaft. The rotor will contain about 7 oz. of oil; drain oil from rotor. The rotor has two bushings at its ends. Carefully remove rotor from central shaft. The rotor should not fall; otherwise, it will damage the bushings.



3. Unscrew rotor nut by holding rotor assembly in hand. The rotor nut can be opened by hand. If it is tight, unscrew it with light pliers. Never grip the rotor nut tightly in clamping device like a bench vice. It may damage the rotor body permanently. Remove rotor cover and deflector inside. To remove rotor cover, remove the rotor nut completely. Hold rotor cover in hand and give a light blow to the rotor body at the rotor nut end by hand. The rotor body and deflector will come out from the opposite end.



4. After opening rotor, you will see cake-formed sticky dirt mass all around rotor cover from inside. Remove dirt with a dull knife.

1. Clean rotor cover and all rotors thoroughly. Be sure to clean the centrifuge center shaft.



2. Assemble rotor in correct sequence of parts. Match arrow marks on rotor cover and rotor. Tighten nut firmly by hand. Install rotor on shaft and assemble cleaner cover.



Centrifuge Cleaner Dos

1. Replace rubber rings if deformation or cuts are observed. Using damaged rubber rings will result in oil leakage and improper function of the centrifuge filter.
2. While assembling the rotor, ensure the rubber ring is seated properly in place. This is necessary for proper sealing of rotor assembly.
3. Take care with the centrifuge housing and rotor body. They are made of aluminum and are susceptible to damage due to accident.
4. Ensure that the arrow marks on rotor cover and rotors match up after assembling the rotor. The rotor body is dynamically balanced. Mismatch of arrow marks on rotor cover and rotor will result in excessive vibrations of the cleaner and part breakage.
5. The rubber ring of the rotor is made of Viton rubber. Use genuine spare rubber rings only. A rubber ring of any other material will not perform as well.

Centrifuge Cleaner Don'ts

1. Do not overtighten the top nut. Tighten just enough to prevent oil leakage for centrifuge cover and housing. Overtightening the top nut will damage threads in the centrifuge housing and damage the centrifuge permanently. Use 9 ft.-lbs. torque for tightening of centrifuge cover.
2. Do not hold the rotor nut in a clamping device like a bench vice. Extra clamping pressure on rotor nut may result in damaging the circularity of the upper bushing and will result in permanent damage to the rotor assembly.
3. Do not open or tamper with the valve assembly. The valve assembly is preset for opening oil pressure in engine's oil gallery. If the setting is lost or the valve assembly is damaged, there is a risk that your engine will not get enough oil or the centrifuge will not function properly.

Engine Storage Chemicals

Preservative oil contains a petroleum distillate which is harmful or fatal if swallowed. Avoid contact with skin. Vapor is harmful and causes irritation of eyes, nose, throat, and skin. Use only with adequate ventilation. Avoid prolonged or repeated breathing of vapor. Avoid contact with skin, eyes, and clothing. Do not take internally. Keep container closed and away from heat. Always read and observe the CAUTION labels on the containers. Do not remove the labels on the containers.

Generally, heating of preservative compounds is limited to 200°F (93°C) or less. These temperatures are easily reached by placing the preservative container in heated water. If this is performed, the container must be vented or opened to reduce the danger of explosion. Direct heating presents a dangerous and unnecessary fire hazard.

Fire Protection

Locate fire extinguishers so that they are easily accessible if a fire starts. Carefully maintain records of extinguisher inspection and recharging to ensure the fire extinguishing capabilities when required. Consult your fire extinguisher supplier or insurance engineer for recommendations on the type, size, and quantity of fire extinguishers required. Select and post alternate routes of escape from any engine installation. Design installation to meet all applicable fire codes.

Cleaning Solvents

Use approved cleaning solvents in a well-ventilated area. Avoid breathing fumes because some vapors can be fatal. Keep away from open flames or sparks. Do not use gasoline or paint thinners or other highly volatile fluids for cleaning. Always read and observe the CAUTION labels on containers. Do not remove the labels on the containers. Cleaning solvents can cause various types of skin irritations.

Welding Equipment

Welding gas cylinders can explode if damaged. Cylinders must be stored in accordance with manufacturer's specifications and applicable safety requirements.

When using acetylene, install check valves between the regulators and hoses to prevent flashback into the regulators and supply tanks. Flashback could cause the regulators and supply tanks to explode.

Oily and greasy materials must be kept away from oxygen valves, hoses, etc. Oxygen may combine with such materials and cause an explosive reaction.

Always wear protective eye shields when welding, cutting, or watching a welding operation. Protective clothing and face shields must be worn to prevent injury. Do not weld or cut near combustible materials.

Grounding Precautions When Welding

When using an electric welder on an engine, clip the ground lead as close to the welding site as possible. Putting the ground lead too far from the welding site may result in arcing across the main bearings, and fusing them to the crankshaft.

Electric Power Tools

Be certain the electric tool is properly grounded. Wear proper eye protection. Do not work in wet or damp conditions. Be sure the tool is in good condition and safety guards are in position. An electric trouble light must also be grounded. Do not carry electric power tools by the cord. Do not yank the cord when removing from an outlet; instead, grasp the plug to remove it from the outlet.

Lead Acid Batteries

Always disconnect the battery ground connection from batteries before performing any work on the engine or equipment. This will prevent sparks or burns from accidentally shorting an electrical connection.

Never expose batteries to open flame or electric spark. Battery action generates a flammable, explosive gas. Do not allow battery fluid to contact skin, eyes, fabrics, or painted surfaces. Battery fluid is a sulfuric acid solution, which could cause serious personal injury or property damage. Wear eye protection when working with batteries.

Precautions When Using Booster Batteries and Cables

Do not attempt to jump start an engine with a frozen battery. The battery may rupture or explode. Before starting, examine all fill vents on the battery. If ice is visible, or if you cannot see the electrolyte fluid, do not attempt to start with jumper cables.

Treat batteries carefully when using jumper cables. The following procedures assist in reducing sparks and explosion hazards present in both batteries when connecting charged batteries to discharged batteries:

- Turn off all electrical loads. Remove vent caps and lay a damp cloth over open vent walls of each battery. The charged booster battery or batteries must have the same voltage capacity as the discharged battery or batteries.
- The positive post is identified by a "+", pos. and red color and is larger in diameter than the negative post.
- The negative post is identified by a "-", neg. and is gray.

Negative-grounded Battery

First, connect one jumper cable from the positive post on the charged battery or batteries to the positive post on the discharged battery or batteries. If more than one battery is connected in series or series parallel, connect the jumper cable to the positive post that has the cable leading to the starting motor.

Second, connect the other jumper cable from the negative post on the charged battery or batteries to a good ground on the engine.

When removing jumper cables, always disconnect the ground jumper cable from the engine before disconnecting the other jumper cable.

Compressed Air

Compressed air or gases should never be used to clean clothing or the body. Compressed air can pierce the skin and cause severe and painful injury. Never use your hand to check air, gas, or liquid flow rates. Do not engage in horseplay with air, gas, or liquid hoses. Observe all applicable regulations as related to compressed gases.

Sodium-filled Valves

When handling sodium-filled valves, always wear approved safety goggles, a hat or cap, long sleeves, and gloves. If refacing of sodium-filled valves is required, do not exert undue force at the grinding wheel because this could crack the hollow valve stem and allow the sodium to escape.

Do not handle broken sodium-filled valves with bare hands. Sodium or sodium residue can cause severe burns. Sodium burns are of the same nature as caustic burns. Wash burns with large volumes of cold water, then neutralize with vinegar. Treat affected areas of the body as a burn and seek medical attention.

If a broken valve should ignite, smother the flames in dry soda ash or dry sand. Water, carbon dioxide in any form, or carbon tetrachloride should never be used on sodium fires because these materials react violently with hot sodium. The smoke and fumes are irritating. Provide adequate ventilation and inhalation and avoid contact with smoke and fumes.

Broken sodium-filled valves may be stored prior to disposal in moisture-free clean oil or kerosene. Unserviceable sodium-filled valves must be disposed of in accordance with local, state, and/or federal regulations as applicable.

Drugs and Alcohol

Workers under the influence of drugs and/or alcohol are unsafe workers and are a hazard to themselves and other employees.

Safety Practices for Handling Acids

Throughout this manual, acid cleaning procedures are recommended for certain castings or pieces of equipment.

WARNING

Always add the acid to the water. Never add water to acid when mixing solution.

1. Keep acids off of concrete floors because acid attacks lime in the concrete. If solution does get on concrete surfaces, apply an alkaline solution to neutralize.
2. Acids can react with metals to form various gases. Generally, acid solutions on limescale and rust form harmless carbon dioxide. However, when acids contact aluminum, zinc, cadmium, tin, sulfides, arsenic, and cyanides, poisonous and explosive gases may be generated. When descaling is performed in closed equipment, install proper ventilation to carry the gases away. When using an open tank or crock, dilute gases by ensuring adequate airflow above the open tank.
3. Always fill closed vessels from bottom upward.
4. Be sure that there are no leaks in the vessel being descaled which will permit solution to leak into opposite side or equipment. The recommended practice is to fill the opposite side of the equipment being descaled with water to a level higher than the acid solution.
5. Use an acid-proof pump, or an inexpensive, expendable one.
6. When mixing with water, pour acid into the water. Do not pour water in concentrated acid.

Engine Storage

Preservation of engines and generators in storage involves several basic requirements. Storage of new engines and generators includes the following steps:

1. Protect machined metal surfaces, cylinders, valves, bearings, and other parts from the effects of both dampness and salt or other corrosive substances in the atmosphere.
2. Protect openings into the engine from entrance of dirt, abrasive material, and foreign matter of all types.
3. Protect accessory equipment, including fuel system, gas regulators, starters, generators, and fan belts from corrosion, dirt, moisture saturation, and deterioration.
4. Protect the cooling system and LPG vaporizers from freezing, rusting, or seizure.
5. Protect engine from rain, snow, and extreme temperatures.
6. Protect batteries by disconnecting and removing them to a slow charging station where they can be kept fully charged. If this step is neglected, the plates can be damaged and ruined by becoming sulfated.
7. Protect the generator or alternator by covering all openings to prevent the entry of dust, moisture, dirt, and rodents. A heavy craft paper will serve this purpose. Place the protective paper over the openings, behind movable parts such as screened or louvered guards or covered plates. If this is not possible, use a pressure-sensitive tape to hold the paper in position.
8. Do not use masking tape. It is not suitable for this type of service and will be difficult to remove after extended use. Apply protective paper on both the inside and outside of large, fixed, louvered surfaces. Large open areas should have a corrugated cardboard backing for paper.

NOTE: In the case of engines previously operated, additional items must be considered.

9. Protect interior engine parts, particularly bearings, cylinder walls, and valves, against (1) corrosion by the products of combustion com-

lined with atmospheric moisture, and (2) corrosion by lubricating oil contaminants.

The level of attention given to each of the preceding points of possible damage depends on the judgment of the person in charge of the equipment. Consider the following factors before deciding how much preservation is required:

1. Period of time the equipment is likely to be inoperative.
2. Severity of the weather and atmospheric conditions at the point of storage. The problems of storing equipment in a tidewater warehouse, for example, differ greatly from storage problems in a location where the air is dry and dusty.
3. Accessibility of the equipment for periodic inspection and attention. An engine on a showroom floor that may be turned over occasionally and given periodic oiling requires less extensive treatment than engines crated and stocked in a warehouse.

CONVENTIONAL STORAGE

Storing New Engines

All KP-Series engines shipped by Arrow Engine Company will be shipped with oil. Engines stored outdoors or in a humid environment may require additional preservation methods. For recommendations, contact the factory.

NOTE: Remove emissions components such as catalyst and O₂ sensors before treatment and at restart. Start and burn out storage oils before reinstalling catalyst and O₂ sensors.

1. Engines in operable condition:

A. Mix an inhibitive-type preservative oil with the engine lubricating oil in the proportions recommended by the manufacturer of the preservative oil. (With some products, no mixing may be necessary). Operate the engine until the oil is hot. Cooling water used in this run should have an inhibitor, as explained in the cooling system section of this manual.

B. Remove air cleaner from gas engines. With a manually operated sprayer, squirt can, or other means, inject preservative oil into the air intake while engine is running. Approximately one minute should be long enough.

If possible, stop the engine by slugging enough oil through the air intake to make it stall. Continue injecting oil until the engine stops turning.

C. Drain oil and water while hot. If extra protection is desired, remove rocker arm covers and pour preservative oil over the rocker arm and valve mechanisms. Replace the rocker arm cover and tighten to seal the vapor inside the cover.

D. For engines not stopped by slugging, remove spark plugs and spray or squirt several teaspoons of preservative oil into each combustion chamber. Coat spark plugs and reinstall.

E. Wipe the engine clean and dry. Apply wax tape or a like material to all openings such as intake openings in air cleaners, exhaust outlets, breathers, and open line fittings.

F. Relieve belt tension. This is important because continual tension on belts without the working action that occurs in normal operation causes deterioration of the rubber.

G. Apply a coating of a heavy preservative compound with a brush to all exposed machined surfaces such as flywheels.

Engines treated in accordance with these instructions will normally be protected for one year or longer. Continual inspection, however, is the only way to determine if protection is adequate.

H. If possible, crank the engine by hand for one or two turns approximately once a month. This helps prevent seizure of water pump seals. If this is performed, it is recommended to add more preservative oil to each cylinder.

Some types of preservative oil are not well-suited to periodic engine rotation because they are scraped from the cylinder walls which are then unprotected. Other oils are not scraped away, and for this reason, the operator should carefully investigate the characteristics of the oil used.

2. When the engine is not operable:

A. Open drains as required to remove oil and water.

B. Remove the spark plugs and pour or squirt a teaspoon (5 cm³) of preservative oil into each cylinder.

C. Inject preservative oil into each cylinder by hand or with mechanically operated atomizing spray. Do not use ordinary compressed air.

Crank the engine in the normal direction approximately one-quarter turn and spray each cylinder again. Do this eight times, or until the engine has been turned through two complete revolutions. The purpose of this procedure is to bring each valve into an exposed position so the preservative oil will coat it.

D. The remaining steps are the same as steps E through H for an operable engine.

Storing Engines That Have Been in Service

In the course of normal engine operation, residues of various combustion products such as lead and sulfur accumulate in the combustion area and in the lubricating oil. Portions of these residues combine with atmospheric moisture to form corrosive compounds. The following treatment will help reduce damage from this source:

NOTE: Remove emissions components such as catalyst and O₂ sensors before treatment and at restart. Start and burn out storage oils before reinstalling catalyst and O₂ sensors.

1. Engines in operable condition:

A. Run engine until the original oil is hot, then drain.

B. If practical, run engine with a good flushing oil in the crankcase and drain the oil and water while still hot.

C. Refill the crankcase with preservative oil, or with the proper grade of oil to which an inhibitive-type preservative oil has been added (in recommended proportion).

D. Follow instructions D through H in the previous section "Storing New Engines" as needed.

2. When the engine is not operable:

A. If storage conditions warrant, disassemble the engine, clean thoroughly, and reassemble for treatment as a new engine.

Generally, this procedure is unnecessary except when using fuels containing considerable amounts of sulfur or in poor climatic conditions.

PRESERVATION EQUIPMENT AND MATERIAL

Sprays and Atomizers

It is often necessary to apply a protective compound in applications with challenging field conditions. Several simple tools can be used to atomize preservative oil and force it into the manifolds and combustion chambers. A manually operated atomizing gun can be used to lubricate inaccessible points on car and truck chassis. A hand-pump sprayer with a pointed discharge nozzle (commonly used with insecticides) can also be used effectively. Small oil pumps can be rigged with a motor drive to make a convenient, pressure-spray unit. In almost all cases, the air available from shop compressor lines carries too much moisture to be safe for this purpose. Do not use high-pressure air from this source.

Heating of Preservative Compounds

Many preservative compounds are most effective when heated before application. If possible, warm up the engine prior to applying preservatives. Heating preservative oils reduces their viscosity, gaining penetration into accessible areas. In addition, the hot compound reduces the moisture film at the metal surface and thus avoids trapping moisture under the preservative layer.

WARNING

Generally speaking, such heating is confined to 200°F (93°C) or less. These temperatures are easily reached by placing the preservative container in heated water. Direct heating presents a dangerous and unnecessary fire hazard.

PREPARING ENGINE FOR OPERATION AFTER STORAGE

The steps to return an engine to active service after storage are similar to the steps performed on any new engine. These include inspection; checking for free rotation, adequate cooling water, or antifreeze; adding lubricating oil of the correct type and viscosity; and adjusting properly.

Wipe down or wash away accumulated dust and dirt from the exterior before removing the covers over the engine openings.

Remove installed protection upon normal inspection of the engine, generator, and switchgear interiors prior to start-up. Partial removal may be necessary during installation, but this should be kept to a minimum. Engines that have not been rotated for some time should be oiled through the spark plug openings and cranked by hand or with the starting equipment before they are run. Investigate any resistance to free cranking; rust and corrosion can cause severe seizure that cannot be forced clear without engine damage.

CAUTION

Never attempt to start an engine that has been stored without first cranking it over with the spark plugs out. Spurting oil, water, or preservative compound from these openings could lead to a possible hydraulic lock if an attempt is made to operate the engine. Continue to crank the engine with the starter or by hand until liquid is no longer ejected from any openings. Inspect intake passages and manifolds for thickened preservative oil. Oil accumulated in this condition may melt when the engine warms up and cause a leak or spill.

TROUBLESHOOTING

A well-planned troubleshooting program can help determine the cause(s) of unsatisfactory engine operation and the action needed to correct the problem. A working knowledge of how engine systems work — combined with the troubleshooting chart in this manual and current indications from the engine instrument panel — provides the best background for effective troubleshooting.

OPERATING CONTROLS

Electrical System

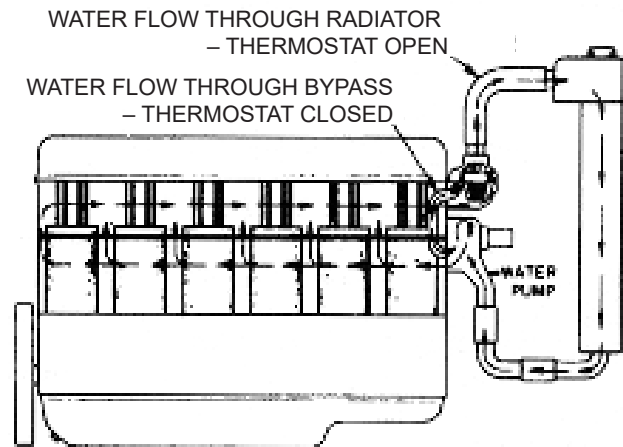
The engine electrical system consists of a main engine harness, engine control module, sensors, relays, fuses, heavy-duty starter, alternator, and other devices similar to automotive installations. The engine is started by closing a circuit from the battery to the starter. The starting motor solenoid provides positive engagement of the pinion before cranking. After cranking is completed and the engine starts, the solenoid disengages. The alternator recharges the battery. Regulators control the alternator's output and protect the system from reverse currents and excessive charging.

Arrow Engine Company supplies engines with negatively grounded electrical equipment only. This standardization of electrical system polarity is common for most equipment manufacturers, and this increases compatibility between supplied electrical equipment and that which is supplied by the equipment builder.

Cooling System

A pressure-circulating cooling system is used on the KP-Series engines. The water enters the water pump inlet on the left side of the engine. The centrifugal pump pulls this supply of cool water through the pump body and forces it into a passage leading directly into the engine cylinder jacket. The water enters the engine just above the lower end of the cylinder sleeves.

From here, the water flow is directed around the cylinder sleeves until it passes upward from the crankcase and into the passages in the cylinder heads. These passages are carefully designed to allow the cooling water to have access to the areas around the valve seats and valve guides. Water is collected from the cylinder head and enters the thermostat housing at the forward end.



The thermostat regulates the engine temperature by automatically controlling the amount of coolant passing through the cooler or radiator core. Back pressure at the water outlet must not exceed 5 PSI (.35 kg/cm²).

Fuel System

KP-Series engines are equipped with a Woodward PG+ fuel system comprised of an electronic flow regulator (EFR), fuel/air mixer, and electronic throttle body. The system is designed to operate with pipeline-quality natural gas, wellhead natural gas (700–1,600 Btu) or commercial-grade propane (VPG or LPG). Note that an electronic, automatic positive shutoff valve is required for proper and safe operation of the engine. The EFR does not provide any positive sealing of the fuel source. In bi-fuel applications in which both fuel sources are connected at the same time, two electronic lock-off valves are required (one for both fuel sources). The engine control module (ECM) controls the operation of each lock-off valve.

Air Intake System

With the exception of adequate supplies of clean oil and water, probably no other single service item contributes as much to engine life as a properly working air cleaner. This is particularly true under dusty and/or agricultural operating conditions, but surprising amounts of abrasive dirt are present in even the cleanest engine room. If carried into the engine through the air inlet, such abrasives would rapidly wear away cylinder walls, valve stems, bearings, and other working parts.

Even though the dust particles are small, they can cause great damage. It is mandatory that air inlet connections be kept tight to avoid taking in unfiltered air beyond the air cleaner.

The purpose of all air cleaners is to trap dirt and grit. The element must be cleared or changed as dirt accumulates. Do this several times daily if conditions are especially dirty.

Exhaust System

Efficient removal of engine exhaust is important. An engine consumes an incredible amount of air.

After combustion takes place, the products of combustion must be pushed out of the cylinders, manifolds, and exhaust piping. Every possible provision must be made to minimize the restriction or back pressure in an exhaust system.

NOTE: KP-Series engines require exhaust back pressure less than 20 in H₂O.

Ignition System

Proper combustion requires fuel ignition within the cylinders at finely defined intervals. KP-Series engines are equipped with an advanced Woodward ignition system.

Lubrication System

The lubrication system on every KP-Series engine uses a gear-type oil pump and a full-flow filter. The oil cooler is standard on all engines.

TROUBLESHOOTING

SYMPTOM	PROBABLE CAUSE	REMEDY
CRANKSHAFT CANNOT BE BARRED OVER CAUTION: DO NOT attempt to rotate crankshaft with starter.	Seized piston.	Replace piston assembly and possibly sleeve. Determine cause of seizure-insufficient ring gap, insufficient lubrication, inadequate cooling, or overload.
	Coolant or obstruction in cylinder.	CAUTION: Remove spark plugs and crank engine to vent cylinders of accumulated coolant.
	Cracked head.	Replace head.
	Cracked sleeve.	Replace sleeve.
	Blown head gasket.	Replace head gasket.
	BEARINGS TOO TIGHT	
	High spots on bearings.	Replace bearings.
	Incorrect torque.	Loosen bearing cap and re-torque.
	Main bearing caps installed out of location.	Check each bearing cap. Place in proper location.
	Load not disengaged from engine.	Disengage load.

SYMPTOM	PROBABLE CAUSE	REMEDY
ENGINE CRANKS BUT DOES NOT START	A. Fuse/harness connected.	A. Repair or replace faulty component related to power supply.
	B. Mag pickup issue.	B. Replace/reset sensor.
	INSUFFICIENT CRANKING SPEED	
	A. Run-down battery or electric starter system malfunction.	A. Charge or replace battery; check starter system.
	B. Oil viscosity too high.	B. Change to lower viscosity as recommended in PREVENTIVE MAINTENANCE.
	POOR COMPRESSION	
	A. Worn rings.	A. Replace rings.
	B. Leaking valves.	B. Recondition head and valves.
	C. Leaking head gasket.	C. Replace head gasket.
	FUEL SYSTEM INOPERATIVE	
A. Water in fuel.	A. Drain water at strainers and tank.	
B. Insufficient fuel supply.	B. Check gas pressure.	
C. Bent gas pressure regulator control rod.	C. Replace control rod.	
D. Wrong type of fuel selected.		
E. Lock-off not working.		
Clogged air cleaner element.	Remove and replace element.	
Safety shutdown control not reset.	Key cycle.	
E-stop malfunctions.	Reset E-stop.	

TROUBLESHOOTING

SYMPTOM	PROBABLE CAUSE	REMEDY
ENGINE STOPS SUDDENLY	FUEL	
	A. Water in fuel. B. Insufficient fuel supply. C. Clogged fuel supply line. D. Check lock-off.	A. Drain water at tank. B. Check gas pressure. C. Replace line and fuel filter. D. Check power and operation.
	Obstructed exhaust manifold.	Determine and correct cause of obstruction.
	Faulty ignition system.	Repair or replace components as required.
	Clogged air cleaner element.	Remove and replace.
	Engine overspeed causes safety control to shut down engine.	Determine and correct cause of overspeed.
	Auxiliary shutdown device.	Determine and correct cause of shutdown.
	Excessive load causes engine to stall.	Determine and correct cause of overload.
	PISTON SEIZURE	
	A. Insufficient ring gap (applicable only immediately after overhaul). B. Insufficient lubrication. C. Insufficient cooling.	A. Replace scored piston, sleeve, rings. Adjust ring gap. B. Replace scored piston, sleeve, rings. Clean oil passages and/or determine cause of lack of lubrication. C. Replace scored piston, sleeve, rings. D. Clean and/or fill cooling system.
	Bearing seizure: Main, connecting rod, piston pin, or camshaft bearings.	Replace bearings. Clean or replace crankshaft, camshaft, or piston pin as required.
	Lack of lubrication.	Check oil system. Correct cause.
	Dirt in oil.	Check oil filter, replace if needed.
	Obstruction in cylinder.	Replace all parts that failed.
	Low oil pressure causes safety control to shut down.	Inspect lubricating oil system and components. Correct cause.
	High coolant temperature causes safety control to shut down engine.	Inspect cooling system and components. Correct cause.

TROUBLESHOOTING

SYMPTOM	PROBABLE CAUSE	REMEDY
ENGINE POWER LOSS	LOW COMPRESSION PRESSURE	
	A. Leaking head gasket.	A. Replace head gasket; inspect for warped cylinder head and/or crankcase. Replace if necessary.
	B. Leaking exhaust, intake valves.	B. Recondition head and valves.
	C. Worn rings (excessive blow-by).	C. Replace rings.
	D. Worn piston sleeves.	D. Replace if necessary.
	E. Cracked piston.	E. Replace.
	F. Cracked cylinder head.	F. Replace.
	G. Misadjusted intake and exhaust valve (if recently overhauled).	G. Adjust valves.
	H. Dirty air cleaner element.	H. Clean or replace.
	I. Restriction in intake and/or exhaust system.	I. Check for obstruction.
INSUFFICIENT FUEL		
A. Cracked fuel lines/filters.	A. Replace cracked lines and damaged filters.	
B. Low gas pressure.	B. Check gas fuel system.	
C. Poor fuel quality (low Btus).	C. Perform fuel analysis; requires at least 45% methane.	
Excessive exhaust system back pressure.	Correct as required.	
Dirty air cleaner element.	Remove and clean or replace.	
Ignition timing incorrect.	Check pickup/bracket.	

TROUBLESHOOTING

SYMPTOM	PROBABLE CAUSE	REMEDY
LOW OR FLUCTUATING LUBRICATING OIL PRESSURE CAUTION: Shut down engine immediately!	Insufficient oil.	Add oil as required.
	Gauge inaccurate.	Compare to master gauge. Replace sensor.
	Engine operated at angles in excess of maximum safe tilt angles.	Operate within maximum safe tilt angles.
	Oil filter plugged.	Change oil filter.
	Worn lubricating oil pump.	Repair or replace pump.
	Worn bearings (connecting rod, main, camshaft).	Replace worn bearings.
	Cracked or leaking lubricating oil piping.	Repair or replace piping.
	Lubricating oil of low viscosity.	Change to higher viscosity oil, as recommended in PREVENTIVE MAINTENANCE.
	Lubricating oil foaming.	Use oil grade recommended in PREVENTIVE MAINTENANCE. Check for water leaks into oil.
	Clogged oil pickup tube.	Remove and clean oil pickup tube.
	Clogged or corroded oil cooler.	Inspect and clean cooler.

TROUBLESHOOTING

SYMPTOM	PROBABLE CAUSE	REMEDY
ENGINE WILL NOT REACH RATED SPEED	Ignition component issue.	Check ignition components.
	Engine overloaded.	Determine and correct cause of overload.
	Tachometer inaccurate.	Check pickup sensor.
	Insufficient fuel supply.	Check fuel supply system.
	Restricted air intake.	Correct cause.
	Low fuel supply.	Check pressures and regulators.
	Control panel not sending speed request over CAN bus.	Verify target speed changes when buttons are pressed. If it does not, contact factory.
	CAN bus issue.	Check CAN bus wiring.

SYMPTOM	PROBABLE CAUSE	REMEDY
ENGINE HUNTS OR SURGES	Fuel supply.	Adjust to correct pressure.
	Intake air restriction.	Replace filter.
	Erratic load on engine.	Check connected load. Observe manifold pressure readings.

SYMPTOM	PROBABLE CAUSE	REMEDY
HIGH PRESSURE – LUBRICATING OIL	Gauge inaccurate Compare to master gauge. Lubricating oil temperature too low.	Replace sensor, increase temperature.
	Oil pressure regulating valve stuck in closed position.	Replace pump.
	Lubricating oil of high viscosity.	Change to lower viscosity oil as recommended in PREVENTIVE MAINTENANCE.

TROUBLESHOOTING

SYMPTOM	PROBABLE CAUSE	REMEDY
LOW TEMPERATURE – COOLING WATER	Sensor inaccurate.	Compare to master gauge. Replace sensor, check wires.
	Inoperative thermostat.	Replace thermostat.
	Thermostat seal missing or leaking.	Replace thermostat seal.

SYMPTOM	PROBABLE CAUSE	REMEDY
HIGH TEMPERATURE – COOLING WATER CAUTION: Cool engine slowly.	Gauge inaccurate.	Compare to master gauge. Check sensor and wires.
	Cooling system is air bound.	Purge air from cooling system.
	Low coolant level.	Fill cooling system.
	Worn water pump.	Replace or overhaul pump.
	Frozen coolant.	Completely thaw cooling system before restarting engine.
	Engine overloaded.	Determine and correct cause of overload.
	Poor coolant circulation.	Check entire cooling system.
	Blown head gasket.	Replace head gasket.
	Insufficient circulation of air (radiator cooling).	Correct as required.
	Cracked head.	Replace head.
	Loose water pump or fan drive belts.	Tighten or replace drive belts.
	Cracked sleeve.	Replace sleeve.
	Inoperative thermostat.	Replace thermostat.
Late ignition.	Check ignition pickup/mounting bracket.	

TROUBLESHOOTING

SYMPTOM	PROBABLE CAUSE	REMEDY
HIGH CONSUMPTION – LUBRICATING OIL	Oil leaks in lubricating oil system.	Find and repair leaks.
	Oil of low viscosity.	Change to recommended viscosity for operating temperatures in PREVENTIVE MAINTENANCE
	Leaking oil seal(s): rear and/or front.	Change seal(s).
	Worn intake valve guides.	Change head; renew guides, or valve stem seals.
	Stuck/worn piston ring.	Replace rings.
	One or more pistons with rings upside down (if recently overhauled).	Remove piston; correct position of rings.
	Excessive connecting rod bearing running clearance.	Replace bearings.
	Crankcase breather plugged.	Replace PCV valve/clean breather system.

SYMPTOM	PROBABLE CAUSE	REMEDY
LUBRICATING OIL CONTAMINATED CAUTION: Change oil.	LUBRICATING OIL CONTAMINATED WITH WATER	
	A. Sleeve seals leaking or sleeve cracked.	A. Replace sleeve and/or O-rings.
	B. Cracked crankcase.	B. Replace crankcase.
	LUBRICATING OIL CONTAMINATED WITH DIRT	
	A. Oil filter bypass valve opening because filter is plugged.	A. Replace filter.
	B. Oil filter punctured. C. Air cleaner punctured.	B. Replace filter. C. Replace air cleaner element.

TROUBLESHOOTING

SYMPTOM	PROBABLE CAUSE	REMEDY
EXCESSIVE VIBRATION CAUTION: STOP engine immediately and investigate cause.	FOUNDATION BOLTS	
	A. Loose. B. Cracked.	A. Torque. B. Replace bolts. Torque all bolts.
	Vibration damper loose or failed.	Replace and re-torque bolts. Replace damper.
	Misfiring ignition system.	Repair or replace components as required.
	CRANKSHAFT	
	A. Cracked. B. Main bearing bolts loose.	A. Conduct a complete investigation of entire engine for any damage. B. Determine reason for loosening. Investigate the entire lower crankcase before torquing and subjecting engine to use. Replace main bearing bolts.
	Loose flywheel.	Replace cap screws and/or torque as required.

SYMPTOM	PROBABLE CAUSE	REMEDY
BLACK EXHAUST	INSUFFICIENT INTAKE AIR	
	A. Air cleaner element clogged. B. Engine overloaded.	A. Clean and repair. B. Determine and correct cause of overload.
	LOW COMPRESSION	
	A. Insufficient valve clearance. B. Burned valves. C. Worn/stuck rings and sleeves.	A. Reset valves. B. Replace or overhaul head. C. Overhaul.
	Over-rich fuel/air mixture.	Check fuel system/supply.
	Excessive back pressure.	Reduce back pressure.

TROUBLESHOOTING

SYMPTOM	PROBABLE CAUSE	REMEDY
HIGH TEMPERATURE – LUBRICATING OIL	Engine overload.	Determine and correct cause of overload.
	High cooling water temperature.	“High Temperature – Cooling Water” chart for causes.
	Low lubricating oil pressure.	See “Low Lubricating Oil Pressure” table for causes.
	Clogged or corroded oil cooler.	Inspect and clean oil cooler.

SYMPTOM	PROBABLE CAUSE	REMEDY
KNOCKING OR UNUSUAL NOISES	Low octane fuel.	Change to higher octane fuel.
	Engine overloaded.	Determine and correct cause of overload.
	Insufficient oil to idler gear.	Clean oil passage by front main bearing cap (see description under “Lubrication System”). End of idler gear spindle must be plugged.
	Overly advanced ignition timing.	Check pickup sensor/bracket.
	Loose piston pins (failed).	Replace piston pins and/or pin bushings as required.
	Damaged or excessively worn accessory drives.	Repair or replace components as required.
	Excessive crankshaft end play.	Replace main thrust bearing.
	Excessive valve clearance.	Readjust valve clearance.
	Sticking valve or rocker arms.	Free up or replace.
	Misfitted or excessively worn timing gears.	Replace.

TROUBLESHOOTING

SYMPTOM	PROBABLE CAUSE	REMEDY
EXCESSIVE FUEL CONSUMPTION	Leaks in fuel system.	Repair as required.
	Faulty ignition system.	Repair or replace components as required.
	Engine overload.	Determine and correct cause of overload.
	Poor compression.	Determine cause(s) and repair.
	Incorrect matching or torque converter to engine and load.	Replace torque converter.

SYMPTOM	PROBABLE CAUSE	REMEDY
LOW GAS PRESSURE	Incorrectly adjusted gas regulator.	Readjust.
	Insufficient line pressure.	Increase line pressure.
	Incorrect orifice and/or spring in gas regulator.	Replace orifice and/or spring.
	Undersize gas regulator.	Replace with gas regulator of adequate size.
	Undersized piping.	Replace with piping of adequate size.
	Gas regulator mounted too far from engine.	Remount gas regulator as close to the lock-off valve as possible.
	Lock-off valve failure.	Check lock-off valve for correct operation.

SYMPTOM	PROBABLE CAUSE	REMEDY
HIGH GAS PRESSURE	Incorrectly adjusted gas regulator.	Readjust.
	Incorrect spring or orifice in gas regulator.	Replace spring or orifice.
	Excessive line pressure.	Reduce line pressure.

HORSEPOWER DERATES		
Condition	Continuous Duty	Intermittent Duty
Altitude Naturally Aspirated	Deduct 3% for each 1,000 ft. above 1,500 ft.	Deduct 3% for each 1,000 ft. above 500 ft.
	Deduct 3% for each 305 m above 457 m	Deduct 3% for each 305 m above 152 m
Altitude Turbocharged	Deduct 3% for each 1,000 ft. above 3,000 ft.	Deduct 3% for each 1,000 ft. above 1,500 ft.
	Deduct 3% for each 305 m above 914 m	Deduct 3% for each 305 m above 457 m
Temperature	Deduct 1% for every 10°F above 100°F	Deduct 1% for every 10°F above 85°F
	Deduct 1% for every 5.5°C above 38°C	Deduct 1% for every 5.5°C above 29°C
Duty Ratings and Standards	The load and speed that can be applied without interruption except for normal maintenance.	The highest load and speed that can be applied under specific conditions of varying load and/or speed.

All ratings are corrected to 500 ft. (152 m) altitude, 29.38 Hg (746 mm), and a temperature of 84°F (29°C).

Natural gas ratings are based on the use of 1,000 Btu LHV gas. Propane ratings are based on the use of 2,335 Btu HD-5 propane.

INSTALLATION

Scope

These are general installation requirements. For more specific requirements, contact the Customer Service Department at Arrow Engine Company.

Automatic Starting

We recommend the use of jacket water heaters for installations subjected to unscheduled automatic starts and instantaneous loading.

Space Requirements

To ensure adequate access for engine installation, ventilation, and in-service maintenance, the engine location must be carefully considered.

The engine described in this manual requires a minimum of 24 inches (60.9 cm) between engines or between the engine and wall. End clearance required to remove the camshaft is 36 inches (91.4 cm). Sufficient overhead clearance is required to use a chain hoist for removal of heavy engine parts. The heaviest part of the KP-Series engine is the short block which weighs approximately 460 lbs. (209 kg). The KP-Series long block weighs approximately 600 lbs. (272 kg).

Cover all engine openings until installation to prevent foreign objects from entering the engine.

STATIONARY INSTALLATIONS

Engine Foundations

Most stationary engine applications require a foundation or mounting base. This base isolates the engine from the surrounding structure and absorbs or inhibits vibrations. A base provides a permanently accurate surface upon which the engine (and the driven equipment) may be mounted and aligned. The foundation must have a suitable size and mass, rest on an adequate soil or bearing surface, be provided with an accurately finished mounting surface for the engine, and be equipped with properly sized retaining bolts in the correct locations to secure the engine firmly in position.

Mounting

No engine will perform properly if incorrectly installed and aligned.

Any misalignment of mountings causes stress on the engine structure with possible damage to flywheel housing, flywheel, crankshaft, and thrust bearings.

Because of the variety of power applications, the KP-Series engines can be mounted in both mobile and stationary applications. In all cases, it is important to select proper mountings for the specific application. If the engine and driven equipment have separate foundations, alignment is critical. To ensure proper alignment, inspect foundations for weld spatter, burrs, foreign matter, or uneven surfaces. It is a waste of time to attempt alignment if the foundation is not level and clean to begin with.

Alignment

It is desirable to have shims under both the engine and driven equipment, so alignment during rebuilding or replacement will not present a problem.

The nature of any shimming procedure is essentially to cut and try. Use easy-to-cut steel or brass shim stock to make up trial shim pads. Remember, the area of the shim pad must be large enough to support the weight of the engine when the bolts are tightened.

After the engine has been leveled and tightened down, the driven equipment can be aligned. Where the driven equipment is mounted permanently, the engine must be aligned relative to the driven equipment.

When the engine and driven equipment are mounted on a common skid base, use shims under both units to compensate for roughness and unevenness of the skid rails. This also provides shims under drive and driven units for final alignment. Generally, the heaviest machine is permanently mounted and the lightest aligned to the heaviest.

The correct aligning procedure may vary slightly with different types of drive equipment. Many manufacturers of driven equipment will specify the preferred method to align their equipment. In general, the object is the same: to make the driven shaft concentric with the driver shaft.

Use steel chocks to fill larger gaps so that only the last few thousandths of an inch must be filled out with thinner shim stock.

Always use shims wide enough to permit the full base mounting area to bear on them. The full width of mounting base must be supported, not just outer edge.

Preparing Unit for Service

Inspect all identification and data plates and follow all servicing instructions. Compare data plates with information contained in invoices or packing slips to ensure receipt of equipment as ordered.

Remove catalyst because oil can damage the unit.

Inspect entire engine for damage, loose connections, broken or sharply bent lines, and loose nuts or bolts. If tape or temporary coverings are torn or missing from engine openings (such as intake, exhaust, water, or fuel), perform a thorough inspection to determine the possible presence of foreign objects in these openings.

The steps needed to bring an engine into active service are basically the same for a new engine or one that has been in storage. In addition to a detailed visual inspection, check for free rotation. Wipe down or wash away any accumulated dust and dirt from the exterior before removing engine opening covers. Engines not rotated for some time should be oiled through the spark plug openings and cranked by hand before running. Investigate any resistance to free cranking; rust and corrosion can cause engine seizure that cannot be cleared without engine disassembly.

CAUTION

Never attempt to start an engine that has been stored without first inspecting intake passages and manifolds for thickened preservative oil.

Crank the engine over with the spark plugs out. Oil, water, or preservative compound trapped in the cylinders would lead to a hydraulic lock. Continue to crank engine with the starter until liquid is no longer ejected from the openings.

Fill crankcase with the proper grade and viscosity of oil to the full mark on the oil level dipstick.

If conditions permit, fill the cooling system with soft water. After checking the cooling system and repairing any leaks, drain a portion of the water and add an inhibitor or antifreeze as required. Soluble oil may be used as an inhibitor. Use one ounce of oil per gallon of coolant. Check battery connections for proper polarity, then pour the acid into the dry batteries and ensure that the battery plates are covered with solution.

Connect the batteries and control wires. When a dry charge battery is used, the battery should be charged prior to use.

COOLING SYSTEM

Cooling System Design

Premature engine component failures and abnormal engine performance can often be traced to improper design or sizing of radiators or other coolers.

NOTE: Arrow Engine Company will not be responsible for engine or component failure when the following cooling system design and application recommendations are not followed.

Air Intake System

Large quantities of air are required for all internal combustion engines. Exact combustion air requirements for KP-Series engines can be obtained from Arrow Engine Company.

Certain factors must be considered to ensure an adequate supply of clean combustion air. These are as follows:

1. Air requirements for engines installed in heated, air-conditioned buildings may upset heating and ventilating calculations unless combustion air is supplied via an external air inlet.
2. If an external air inlet is required, it must be suitably designed to supply intake air in the proper temperature range (high intake air temperature results in power loss while extremely cold intake air may hinder starting of automatic standby units). It must also be designed to prevent pickup of exhaust gas materials or exhaust from other industrial operations (such as foundry dust or paint spray), to prevent pickup of flammable vapors, and to prevent entry of rain and water.
3. All ducting and air cleaner to manifold connections must be airtight to avoid drawing in unfiltered air.
4. The restriction through the air intake system must be kept to a minimum. Air duct restriction must never exceed five inches of water column. Restricted inlets, sharp or numerous bends, and undersized ducting will increase restriction unnecessarily.
5. Engine heat radiation will affect ambient air temperatures in building installations. Properly located intake and exhaust fans may be required to ventilate engine rooms.

Engine Fuels

The operator must select the fuel type (natural gas or LPG). Once fuel inlet pressure is set, no other adjustments are required.

THIS PAGE INTENTIONALLY LEFT BLANK

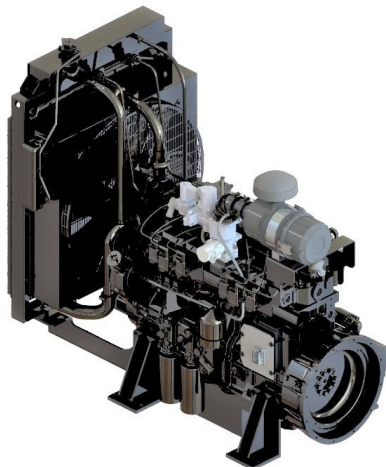


**Original Equipment.
Engineered Solutions.**

KP6

EMISSIONS-RELATED INSTALLATION MANUAL

**2023 Installation Instructions
for KP6 Prime Certified Engines**



ARROW ENGINE COMPANY
2301 E. Independence St., Tulsa, OK 74110
www.arrowengine.com

©2023
Arrow Engine Company
KP SERIES-EIM-JAN2023

Table of Contents

Important Notice	127
U.S. EPA Requirements for Stationary Engines	127
Safety Symbols	128
Operating Speed Ranges	128
Exhaust System and Catalyst Application Guidelines	129
Exhaust System Installation Instructions	130
Engine and Emissions Label	132
Positive Crankcase Ventilation (PCV) System	133
Malfunction Indicator Lamp (MIL)	134
Air Filter Requirements	134
Fuel System Installation Guidelines	135
Check for Gas Leaks	136
Spark Plug Gap	138
Installation Checklist	139

IMPORTANT NOTICE

Emissions-related Installation Instructions

These instructions provide the final assembler with the information needed to ensure that the engine, catalyst, exhaust system, and gaseous fuel system are installed correctly in the engine's certified configuration.

Arrow's certified Large Spark-Ignited (LSI) 6.5L engine, EPA engine family code PARWB06.5PNA, is certified for use as a mobile and stationary constant-speed engine only. This engine cannot be used in variable-speed applications.

Failure to follow these instructions when installing a certified engine in a piece of non-road equipment violates U.S. federal law (40 CFR 1068.105(b)), subject to fines or other penalties as described in the Clean Air Act.

U.S. EPA Requirements for Stationary Engines

To ensure emissions compliance of your stationary engine, the U.S. EPA requires you to perform one of the following two options:

1. Install and operate your engine as specified in these installation instructions. This is the only option available for mobile engines.
2. If you do not install and operate your stationary engine as specified in these instructions, your engine will be considered a noncertified engine.

In this case, you must:

- Keep a maintenance plan and records of conducted maintenance.
- To the extent practicable, maintain and operate the engine in a manner consistent with good air pollution control practice for minimizing emissions.
- For engines between 100 and 500 HP, conduct an initial performance test within one year of engine startup to demonstrate compliance. Contact your regional EPA office for instructions on how to conduct an initial performance test.

Per section 113 of the U.S. Clean Air Act, failure to abide by these legal requirements can result in fines up to \$47,531 per day.

Safety Symbols

These are the ISO 8999 symbols that may appear in this publication:



Battery



Electrical hazards



Engine coolant fill level



Engine coolant temperature



Engine oil fill level



Engine oil pressure



Hot surface warning



Warning



Read the manual



No Smoking or flame

Operating Speed Ranges

The engine set point for the Arrow KP6 certified engine must stay between 1,200 and 1,800 RPM. The actual speed may deviate outside of this range for a short period of time.

NOTE: For cyclical load applications, such as pumpjack, the load should be balanced such that the total RPM swing throughout the load cycle is less than 100 RPM.

An RPM swing greater than 100 RPM may result in tailpipe emissions exceeding EPA limits for this constant speed engine due to the frequency and magnitude of transient fueling demands. See Table 1 for clarification.

Speed Set Point RPM	Observed RPM Maximum @ Load Rejection RPM	Observed RPM Minimum @ Load Rejection RPM	Total RPM Swing RPM	Result
1,500	1,600	1,400	200	Not acceptable
1,500	1,550	1,450	100	Acceptable



Table 1. RPM Swing Definition

Exhaust System and Catalyst Application Guidelines

Catalyst DDC70031 must be used with the Arrow KP6 certified engine.

These guidelines are for the equipment package designer to ensure that the catalyst will operate correctly and will comply with emissions regulations for its design life. Each guideline should be verified on the prototype package.

1. To operate efficiently and have long life, the internal catalyst temperature **MUST** stay within the range of 650°F to 1,400°F (343°C to 760°C) at all operating conditions except for low idle. The exhaust temperature immediately downstream of the catalyst is a good indication of the internal catalyst temperature. The post-cat 1/2-inch NPT port can be used to measure the cat-out temperature for test purposes.
 - If the catalyst is cooler than the specified temperature range, it will not operate efficiently and may not comply with emissions regulations.
 - If the catalyst temperatures are too cool, use an exhaust tape or an exhaust blanket upstream of the catalyst to increase the exhaust temperature at the catalyst inlet.
 - If the catalyst is hotter than the specified temperature range, the catalyst will not operate efficiently and may be permanently damaged.
 - If the catalyst is too hot, verify that all cylinders are firing correctly and that unburned fuel is not reaching the catalyst. If the engine is operating correctly and the catalyst is still too hot, it may be necessary to move the catalyst farther downstream on the exhaust pipe.
2. Under normal operating conditions, the catalyst will remain hot for a long time after the exhaust pipe has cooled. Under engine misfire conditions, catalyst surface temperatures greater than 1,560°F (850°C) can be expected.



The equipment packager is advised to guard against the high catalyst surface temperatures with a heat shield and/or warning.

3. Catalyst vibration levels must be less than 5 g's in all three axes (x, y, and z) under all engine operating conditions. Vibration levels in excess of 5 g's at a single-speed load point (resonance condition) can cause catalyst damage and failure.
4. The maximum allowable exhaust back pressure measured between the catalyst and exhaust manifold is 20 inches H₂O (5 kPa). Pressures greater than this will cause reduction in available engine power and may cause exhaust leakage at the manifold flange.

Exhaust System Installation Instructions

These installation instructions must be strictly followed and verified on each engine installation. Failure to observe these requirements will void the catalyst warranty and may result in EPA fines of up to \$47,531 per day.

These instructions are intended to minimize occurrences that may compromise the mechanical durability of the product as a result of:

- Engine vibration
- Thermal expansion and contraction of exhaust system
- Shock loads during operation of the equipment
- Improper mounting of the catalyst unit

Please note that the catalytic converter (catalyst) is much heavier and more fragile than a regular muffler. Therefore, it must be supported properly.

These installation instructions require the following components to be incorporated into the complete assembly to ensure the product meets its design life. Note that some of these instructions represent recommended practices and each exhaust application must be evaluated to meet the specific guidelines regarding temperature and vibration limits.

1. No catalyst substitutes are allowed. EPA emissions certifications specify that only the catalyst listed in Table 2 can be used.
2. As a guideline, the inlet of the catalyst should be located 40–72 inches (102–183 cm) from the exhaust manifold outlet. The actual distance is determined by testing the exhaust temperature out of the catalyst. Exhaust temperature testing will be required for each application/exhaust configuration to ensure the temperature falls in the acceptable range prior to application approval.
3. Stainless shim exhaust manifold gaskets are strongly recommended.
4. A 3-inch flexible coupling is recommended between the engine and catalyst to isolate the catalyst from the engine's torsional vibration.
5. The exhaust pipe must be supported four inches (10 cm) upstream and downstream of the catalyst.
6. Vibration isolators are required on the support brackets to isolate the catalyst from engine/chassis vibration.
7. The catalytic converter should not be used to support any loads from upstream or downstream components or piping.
8. Band clamps, flanges, or welds are required at all exhaust pipe and catalyst-pipe junctions. All junctions must be leak-tight.

9. The exhaust pipe must extend 12 inches (30.5 cm) past the oxygen sensor located at the catalyst outlet.
10. The pre-cat oxygen sensor must be located per Arrow Engine specification.
11. When the pre-cat and post-cat oxygen sensors are mounted in horizontal pipe, the sensors must be in the top half of the pipe to avoid being immersed in water. Direct contact with liquids may cause the sensors to fail.
12. The EPA requires that (CFR 40 1048.205 (v)) the exhaust pipe be configured so that an 8-inch (20 cm) extension can be easily added to the end of the exhaust pipe for measuring emissions in the field. For example, if a rain cap is used, it must be removable. If it is not feasible to add an extension, add a 1/4-inch sample port to the exhaust pipe after the catalyst and at least 8 inches (20 cm) before the end of the pipe.
13. Lightly coat the threads of the pre-cat and post-cat oxygen sensors with O₂/catalyst safe anti-seize compound, if not coated by the sensor manufacturer. Tighten the oxygen sensors to 37 ft.-lbs.
14. A rain cap or 90-degree bend is required if the tail pipe is vertical and can collect water.
15. The entire exhaust system must be checked for leaks by sealing one end of the exhaust pipe and applying 3 psig air pressure to the other end. Apply leak detector or a soapy water mixture to all joints and fittings. There must be no leaks that can be heard or felt. Slow bubble leaks are OK.

Component	Quantity	Approved Part Number Substitutes Must Be Approved by MOR
Catalyst	1	DDC70031
Exhaust manifold	1	KB09011
Exhaust pipe	—	Ø 3-inch OD x 14 GA (.083-inch wall)
Catalyst flange	—	3-inch 150# ANSI pattern flange
Catalyst flange gaskets	2	AFR-GASKET
Flex joint	1	10–14 inch OAL SS bellows with 3-inch OD ends

Table 2. Arrow KP6 Exhaust System Components

Engine and Emissions Label

The EPA requires that the label below must be visible.

If you install the engine in a location that makes the engine emissions control information label difficult to read during normal engine maintenance, you must place a duplicate label on the equipment, as described in 40 CFR 1068.105.

1. U.S. EPA emissions label
2. Engine label with engine part number, serial number, and date of manufacture


IMPORTANT ENGINE INFORMATION	EMISSIONS CONTROL INFORMATION
THIS ENGINE COMPLIES WITH U.S. EPA REGULATIONS FOR 2023 NONROAD AND STATIONARY ENGINES. THIS ENGINE IS CERTIFIED TO OPERATE ON COMMERCIAL LPG AND PIPELINE-QUALITY NATURAL GAS. THIS ENGINE IS ALSO CERTIFIED TO OPERATE ON NON-PIPELINE NATURAL GAS WITH A METHANE CONTENT OF AT LEAST 45% BY VOLUME AND ENERGY CONTENT OF 700–1,600 BTU PER SCF. NO ADJUSTMENTS ARE REQUIRED. USE IN CONSTANT-SPEED APPLICATIONS ONLY.	<u>Nonroad Emissions Standards (g/kW-hr)</u> 2.7 HC+NO _x , 4.4 CO
Engine Family: PARWB06.5PNA Engine Displacement: 6.5 L Spark Plug Gap: 0.025 in. (0.635 mm)	<u>Stationary Emissions Standards (g/kW-hr)</u> 2.7 HC+NO _x , 4.4 CO
	Exhaust Emissions Control: ECM, MIX, HO ₂ S, TWC
	
	Part Number: KB50061

Figure 1. Emissions Label, KP6 Prime

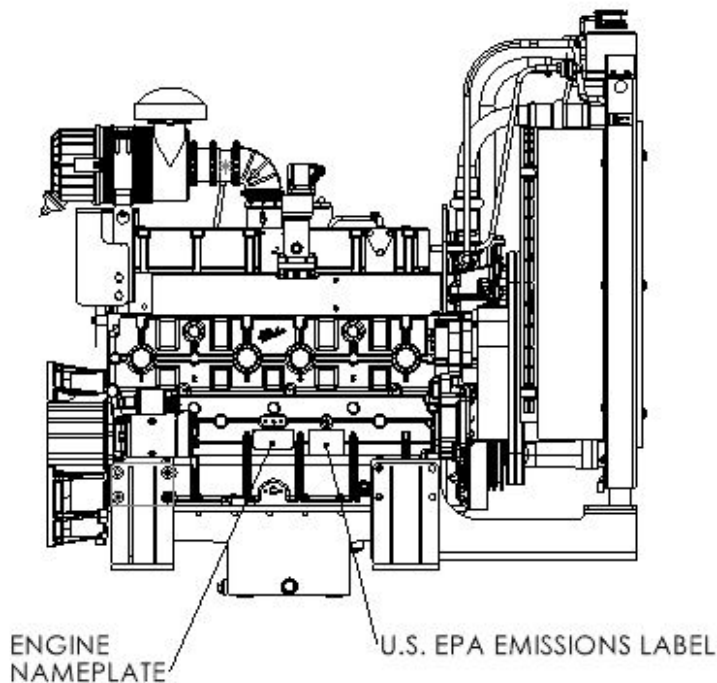


Figure 2

Positive Crankcase Ventilation (PCV) System

The EPA specifies that “Crankcase emissions may not be discharged directly into the ambient atmosphere from any engine throughout its useful life.”

The KP6 engine uses a closed crankcase ventilation system as shown in Figure 3. A manifold vacuum is applied to the PCV valve (Item No. 20) to collect blowby gases and send them back to the intake system. Fresh air is supplied to the crankcase via the crankcase breather (Item No. 13).

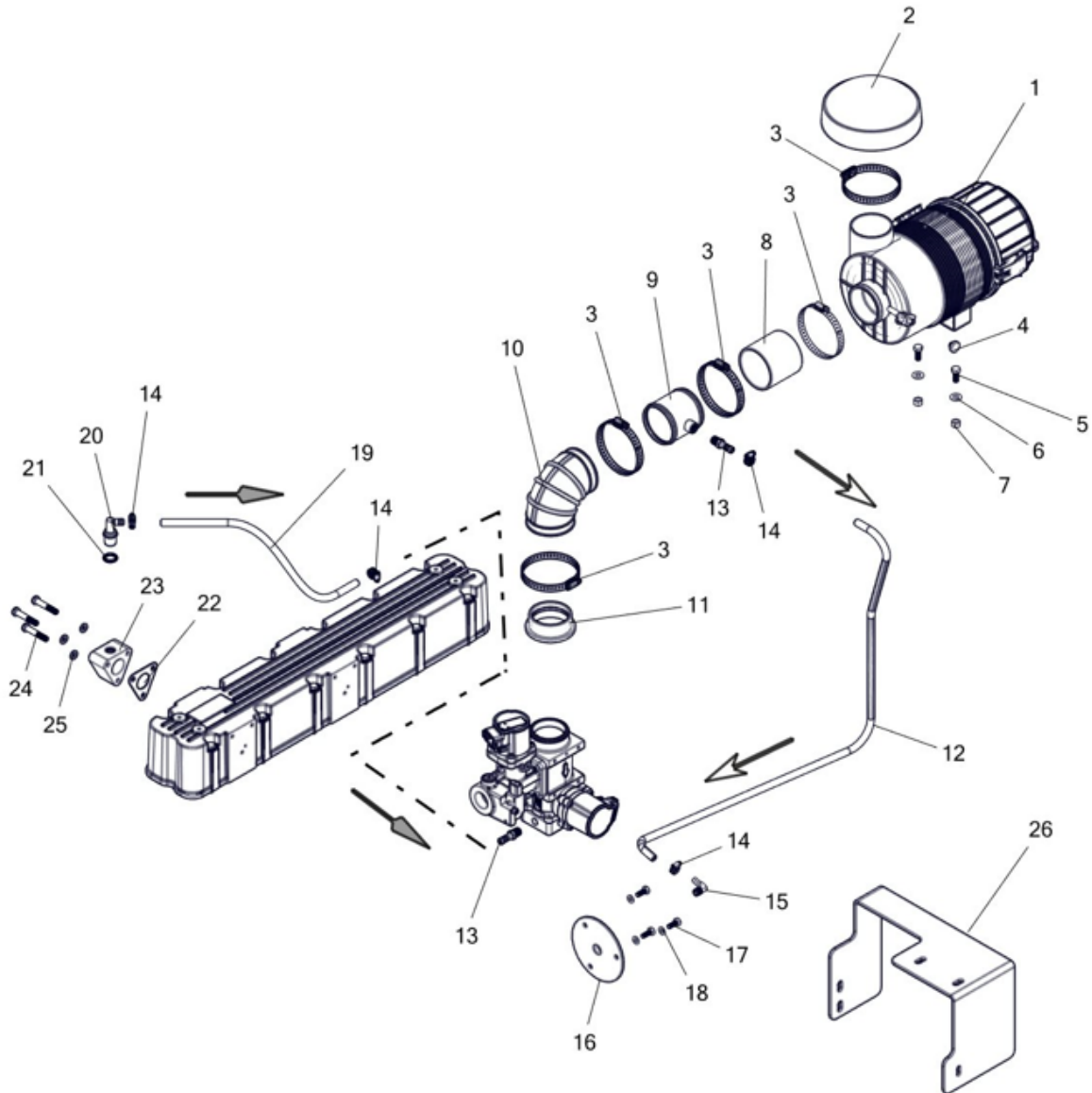


Figure 3

Malfunction Indicator Lamp

EPA Malfunction Indicator Lamp Requirements:

1. Use a malfunction indicator lamp (MIL) (Figure 4).
2. The MIL must be readily visible to the operator; it may be any color except red.
3. When the MIL lights up, it must display “Check Engine” (Figure 5) or “Service Engine Soon” or be appropriately labeled.
4. You may use sound in addition to the light signal.



Figure 4. MIL Bulb

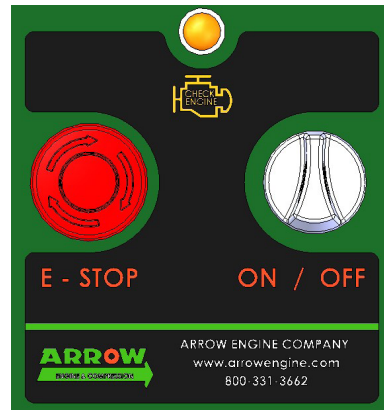
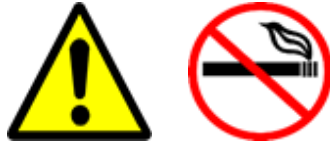


Figure 5. MIL Installed

Air Filter Requirements

1. All engines are required to have an air filter; the engine warranty will be voided without one. The filter should be configured so it does not ingest unnecessarily hot air (greater than 130°F (54.4°C)), rain, or moisture.
2. The air pressure drop across the air filter must not exceed:
 - Clean filter: 5 inches H₂O
 - Dirty filter: 15 inches H₂O
3. The maximum engine air flow for Arrow LSI-certified engines is approximately:
 - 6.5L – 175 standard cubic feet per minute (SCFM)



Fuel System Installation Guidelines

Fuels

Natural gas and LPG are combustible gases, and can explode if leaked and contained in a confined area. Keep cigarettes and all other flame sources away from these areas.

Depending on your engine and fuel system configuration, your engine is designed to run on natural gas, liquid LPG, or vapor LPG. The fuel requirements for each are discussed in this section.

Natural Gas

Your engine is certified to run on natural gas of pipeline-quality and most grades of nonpipeline quality. Specifically, your engine is certified to run on natural gas that has at least 45% methane content by volume AND an energy content of 700 to 1,600 Btu per standard cubic foot (SCF). If your natural gas supply does not meet both of these specifications, your engine is operating as a noncertified engine. See U.S. EPA Legal Requirements section of this manual.

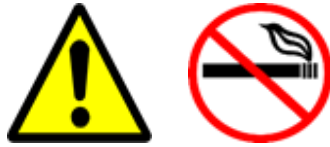
Arrow Engine requires that the natural gas comply with the following specifications; otherwise, the fuel system and engine warranties may be void.

- Hydrogen: < 500 mg/10 kWh
- Chlorine and fluorine compounds (typically chlorofluorocarbons): < 100 mg/10 kWh
- Silicon: < 5 mg/10 kWh
- Ammonia: < 50 mg/10 kWh
- Oil or hydrocarbons in liquid mist form: < 5 mg/10 kWh
- No liquid water is permitted at the inlet of the engine-mounted fuel system

Liquefied Petroleum Gas

To maintain emissions compliance and the engine warranty, use commercial-grade HD-10 or better LPG. Liquid LPG is drawn off the bottom side of an LPG tank or cylinder and is a liquid until it has passed through the regulator/vaporizer, at which point it is vaporized to a gas. If you connect vapor LPG to a liquid LPG fuel system, you may starve the engine for fuel, causing it to produce low power and excessive emissions.

Vapor LPG is drawn off of the top side of an LPG tank or cylinder. Only a fuel pressure regulator (not a vaporizer) is required for vapor LPG. However, the LPG tank/cylinder must have enough internal surface area to vaporize (boil) LPG at the rate required by the engine.



Check for Gas Leaks

If you hear a fuel leak, shut off the fuel supply at the source immediately and fix the leak or have it serviced. Check the entire fuel supply line from the cylinder/tank to the engine for leaks with leak detect or a soapy water bubble mixture anytime the fuel supply line is serviced. Fuel leaks should also be checked as part of the regular engine maintenance.

All fuel hose and connections must be leak-tight! Use fuel hose, connectors, and sealants specified for the fuel type. Use leak detect or a soapy water mixture to check for leaks. All fuel leaks must be eliminated!

Inspection

1. If you hear a fuel leak, shut off the fuel supply at the source immediately and fix the leak or have it serviced.
2. If there are no audible leaks, spray the fuel line up to the lock-off valve with a soapy water mixture. A stream of bubbles indicates leak sources.
3. Tighten fittings and clamps as needed to eliminate slow leaks.
4. Start the engine.
5. Check the fuel supply line from the lock-off valve to the engine with a soapy water mixture.
6. If any fuel line components (hoses, pipe, fittings, etc.) must be replaced, first bleed the fuel out of the line by shutting off the gas supply at the source with the engine running at idle. Wait for the engine to stop before disassembling the fuel line.

Arrow engines are certified to operate on the following fuel types:

- Pipeline-quality natural gas (natural gas from a pipeline having at least 70% methane content or 950–1,100 Btu/ft³ energy content).
- Nonpipeline quality natural gas (wellhead gas) having at least 45% methane content and 700–1,600 Btu/ft³ energy content.
- Commercial LPG, grade HD-10 or better.

Stationary engines (not constant-speed mobile engines) may be operated on other fuel types, but are considered noncertified engines. See U.S. EPA Requirements for Stationary Engines section of this manual for more information.

Figure 6 shows the fuel system assembly (electronic fuel control valve and air valve carburetor) used on Arrow LSI-certified engines. (See following page.)

Figure 7 is a block diagram of the emissions control system used on Arrow LSI-certified engines.

The requirements for the fuel supply to Arrow LSI-certified engines are as follows:

- Fuel supply pressure to the fuel system inlet must be:
 - NG** – 8–16 inches H₂O (2–4 kPa)
 - Propane** – 4–8 inches H₂O (1–2 kPa)
- If natural gas and vapor LPG supply pressure is higher than 16 inches H₂O (4 kPa), the packager must install a primary pressure regulator upstream of provided fuel system (not provided with system) to meet these pressure requirements.
- A 50-micron fuel filter with 99% efficiency is strongly recommended (not provided with system). Failure to properly filter the fuel may cause damage or plugging to fuel system components and void the warranty.
- The following fuel filters are recommended:
 - Raw natural gas: Oxion, Inc. Model M150
 - Vapor LPG and pipeline natural gas: Maxitrol Model GF60-1-88
- All low-pressure fuel lines should be 1-inch (2.5 cm) inner diameter (ID) and free from sharp bends or kinks.
- All pipe threads in the fuel system should be sealed with thread sealant specified for the fuel type (NG and/or LPG).
- All fuel system components should be properly supported with brackets and isolated from severe (greater than 5 g) vibration.
- All fuel system components, fuel lines, and electrical wiring should be a minimum of 12 inches (30.5 cm) from exhaust system components and properly shielded from direct radiant heat. The final package should provide air circulation around fuel system components to prevent overheating.
- Installation of a manual shut-off valve at the fuel supply source is strongly recommended to allow the fuel to be shut off when the engine is being serviced.

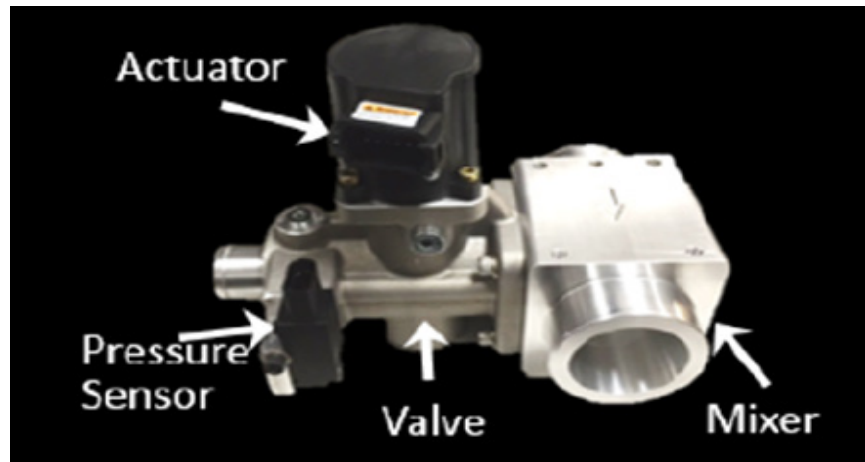


Figure 6. Fuel System Assembly for Arrow LSI Engines

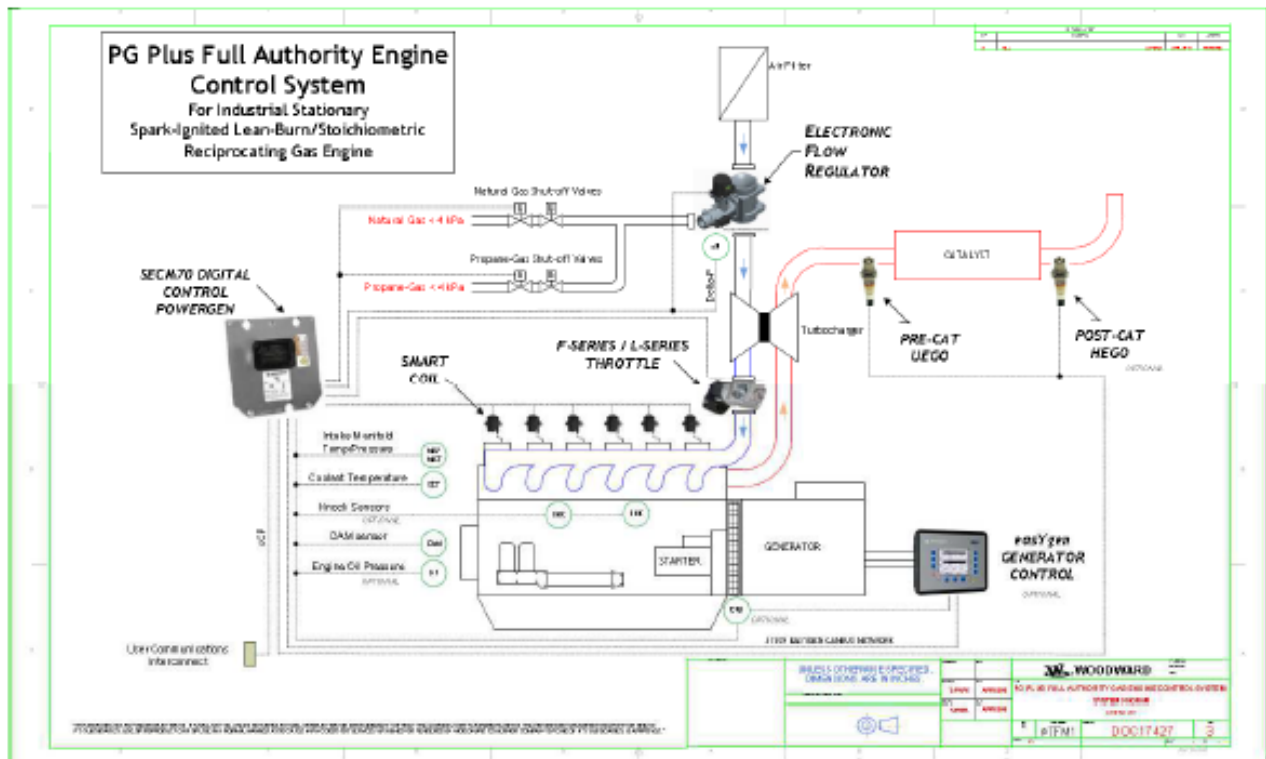


Figure 7. NG/LPG Bi-fuel Engine Control System for Arrow LSI Engines

Spark Plug Gap

Spark plug gap: 0.025 inch (0.635 mm)

Ignition timing is not adjustable.

Emissions-related Installation Checklist

NOTE: The emissions-related installation design (catalyst location and mounting, vibration levels, etc.) is verified during the Application Review.

The Application Review must be completed prior to production release of the application to ensure durability and warranty consideration.

Table 3 is a checklist to use during the package design and final assembly of each production unit. Incorporate this checklist into your design and assembly processes.

Emissions-related Installation Checklist		Page	Package Designer		Final Assembler	
			Yes	No	Yes	No
1	Engine speed within certified operating range	128				
2	Catalyst outlet temperatures remain between 650°F to 1,400°F (343°C to 760°C) under all operating conditions except low idle	129				
3	Catalyst vibration levels less than 5 g's in all 3 axes	129				
4	Exhaust back pressure is acceptable (< 20 inches H ₂ O under all operating conditions)	129				
5	Catalyst shielded from human contact and/or warning is visible	129				
6	Exhaust band clamps installed and tightened	130				
7	Catalyst supported within 4 inches (10 cm) upstream and downstream	130				
8	Flexible coupling installed between the engine and catalyst	130				
9	Vibration isolators used on catalyst supports	130				
10	Pre-cat and Post-cat oxygen sensors in the top half of horizontal exhaust pipe	131				
11	Certified catalyst part number is used	131				
12	Rain cap installed	131				
13	Can an 8-inch (20 cm) extension be easily added to the end of the exhaust pipe for in-field emissions testing?	131				
14	Threads of oxygen sensors lightly coated with O ₂ /catalyst-safe anti-seize compound (if not coated by sensor manufacturer)	131				
15	No exhaust leaks between the engine and catalyst	131				
16	Engine and emissions labels installed and visible	132				
17	PCV system plumbed as specified	133				
18	MIL is installed, not red, labeled, and operable	134				
19	Specified air filter is installed	134				
20	Fuel supply configured per guidelines	135				
21	Fuel system is leak-tight	136				
22	Spark plug gap is per specification	138				

Table 3

Maintenance Schedule

Maintenance Item	Weekly	750 hours/ 1 month	1,500 hours/ 6 mos.	5,000 hours/ 7 years
Check air filter restriction indicator (if equipped). Clean filter if red.	X			
Check oil and coolant levels.	X			
Check belts for tension and condition.	X			
Check battery.	X			
Check fuel hoses and fittings for gas leakage.	X			
Inspect/drain volume tank/separator.	X			
Clean/inspect/replace air filter element. ¹	X			
Check hoses.		X		
Inspect/clean the PCV system.		X		
Check/adjust/replace spark plugs (gap 0.025-inch).		X		
Change oil and oil filter. ²		X		
Check/adjust valve lash.		X		
Clean oil cooler (if equipped).			X	
Check antifreeze concentration.			X	
Inspect/replace fuel filter.			X	
Inspect NG fuel regulator.			X	
Inspect LPG primary vaporizer/regulator.			X	
Inspect fuel lock-off valve(s).			X	
Replace pre-catalyst and post-catalyst oxygen sensors.				X
Lubricate clutch at manufacturer's recommended intervals.	X			

¹ Perform sooner in dusty or extreme conditions.

² Oil sampling program recommended for proper oil change intervals.

DTC Fault Codes

SPN	Description	FMI	Fault	SFC
51	TPS Data Drift High	0	ThrottlePos_IR_Low	558
51	TPS Data Drift Low	1	ThrottlePos_IR_High	559
51	Throttle Fault	5	ThrottleValveDrive_Fault	556
98	Engine Oil Level	1	LowOilLevelFault	573
100	Oil Pressure Low	1	LowOilPressureFault	195
100	Oil Pressure Voltage High	3	OilPRangeHigh	192
100	Oil Pressure Voltage Low	4	OilPRangeLow	191
100	Oil Pressure Fault	15	OilPressureSensorFault	196
102	MAP Sticking	2	MAP_STICKING	345
102	MAP Voltage High	3	MAPRangeHigh	342
102	MAP Voltage Low	4	MAPRangeLow	341
102	MAP Data Drift High	20	MAP_IR_HI	343
102	MAP Data Drift Low	21	MAP_IR_LO	344
105	MAT Higher than Expected	0	MAT_High_Temp	233
105	MAT Voltage High	3	MATRangeHigh	231
105	MAT Voltage Low	4	MATRangeLow	232
110	ECT Over Heat Fault	0	ECTOverHeatFault	265
110	ECT Warmup Slower than Expected	1	ECT_WarmupSlower	266
110	ECT Voltage High	3	ECTRangeHigh	261
110	ECT Voltage Low	4	ECTRangeLow	262
110	ECT Insufficient activity	10	ECT_IR_Fault	264
110	ECT Over Temp Fault	18	ECTOverTempFault	263
111	Engine Coolant Level	1	LowCoolantLevelFault	572
168	Battery Voltage Higher than Expected	0	SysVoltRangeHigh	165
168	Battery Voltage Lower than Expected	1	SysVoltRangeLow	166
168	DRVP Higher than Expected	20	DRVP_High	169
190	Engine OverSpeed	0	OverSpeed	429
629	CPU Load Higher than Expected	9	CPU_HighLoad	621
629	SRAM Memory Fault	11	SRAMFault	623
629	Flash Memeory Fault	31	FLASHFault	622
632	Natural Gas Fuel LockOff Short Open Fault	5	NaturalGasLockOff_Fault	251

DTC Fault Codes

SPN	Description	FMI	Fault	SFC
632	Low Fuel Pressure	7	LowFuelPressure	476
632	FuelShutOffStuckOpen	12	FuelShutOffStuckOpen	475
637	CAM Sensor Other Fault	11	CamFault	426
854	UEGO Heater Short to Battery Fault	3	UEGO_HtrShortToBattFault	452
854	UEGO Heater Short to GND Fault	4	UEGO_HtrShortToGNDFault	451
854	UEGO Htr Open Fault	5	UEGO_HtrOpenFault	463
854	UEGO Heater Temperature Control	7	UEGO_HtrControl	139
854	UEGO Heater Temperature LTE	16	UEGO_HtrLwrLimit	136
854	UEGO Heater Temperature HTE	18	UEGO_HtrUprrLimit	137
970	External Shutdown	1	ExternalShutdownFault	571
1213	MIL Open / Short Fault	5	MIL_Fault	253
1268	Spark 1 Open Primary	5	Ign1OpenPrimary_Fault	842
1269	Spark 2 Open Primary	5	Ign2OpenPrimary_Fault	845
1270	Spark 3 Open Primary	5	Ign3OpenPrimary_Fault	848
1271	Spark 4 Open Primary	5	Ign4OpenPrimary_Fault	852
1272	Spark 5 Open Primary	5	Ign5OpenPrimary_Fault	855
1273	Spark 6 Open Primary	5	Ign6OpenPrimary_Fault	858
1391	delta Pressure - Voltage High	3	deltaPRangeHigh	473
1391	delta Pressure - Voltage Low	4	deltaPRangeLow	474
1391	deltaP Higher than Expected	16	deltaP_HigherThanExpected	477
1391	deltaP Lower than Expected	18	deltaP_LowerThanExpected	478
1391	deltaP Zero Offset Fault	20	deltaP_ZeroOffsetFault	479
1442	EFR Valve Drive Fault	5	EFRValveDrive_Fault	635
1675	Starter Control Relay Fault	5	StarterCtrlRelay_Fault	653
1675	Auto Crank Attempt Failed	11	StarterCtrl_NoCrank_Fault	652
1675	Auto Crank Attempts Exceeded	12	StarterCtrl_NoStart_Fault	651
1695	Adaptive Learn Correction on Hi Limit	16	FuelAdaptRangeHi	471
1695	Adaptive Learn Correction on Lo Limit	18	FuelAdaptRangeLow	472
2434	EGT Higher than Expected	0	EGT2OverTempFault	741
2434	Engine EGT -Voltage High	3	EGT2RangeHigh	742
2434	Engine EGT -Voltage Low	4	EGT2RangeLow	743

DTC Fault Codes

SPN	Description	FMI	Fault	SFC
3056	UEGO IP Fault	0	UEGO_IPDiag	443
3056	UEGO SNS Short to BATT Fault	3	UEGO_SNSShortToBattFault	455
3056	UEGO SNS Short to GND Fault	4	UEGO_SNSShortToGNDFault	454
3056	UEGO SNS Open Fault	5	UEGO_SNSOpenFault	453
3056	UEGO O2 Failed on Rich Side	16	UEGOO2FailedRich	466
3056	UEGO O2 Failed on Lean Side	18	UEGOO2FailedLean	465
3217	O2 Closed Loop Correction Fuel Multiplier on High Limit	16	O2CLCorrectionOnHighLimit	142
3217	O2 Closed Loop Correction Fuel Multiplier on Low Limit	18	O2CLCorrectionOnLowLimit	141
3227	PostCat O2 Voltage High	3	O2PostCatRangeHigh	181
3227	PostCat O2 Voltage Low	4	O2PostCatRangeLow	182
3227	PostCat O2 Heater Short Open Fault	5	PostO2Heater_Fault	187
3227	PostCat O2 Failed on Rich Side	15	PostO2FailedRich	185
3227	PostCat O2 Failed on Lean Side	17	PostO2FailedLean	186
3509	XDRP (+5V) Voltage HTE	3	XDRPRangeHigh	161
3509	XDRP (+5V) Voltage LTE	4	XDRPRangeLow	162
516131	Propane Gas Fuel LockOff Short Open Fault	5	PropaneLockOff_Fault	252
520555	UEGO INRC Short to BATT Fault	3	UEGO_INRCShortToBattFault	458
520555	UEGO INRC Short to GND Fault	4	UEGO_INRCShortToGNDFault	457
520555	UEGO INRC Open Fault	5	UEGO_INRCOpenFault	456
520556	UEGO SR Short to BATT Fault	3	UEGO_SRShortToBattFault	462
520556	UEGO SR Short to GND Fault	4	UEGO_SRShortToGNDFault	461
520556	UEGO SR Open Fault	5	UEGO_SROpenFault	459
520700	TSC1 Message Time-out Fault	9	TSC1RxTimeoutFault	662

Engine Identification

Engine Part Number _____

Engine Serial Number _____

Engine Application _____

Purchased From _____

In-service Date _____

Engine Hours at Delivery _____

2023 Prime Engine and Emissions Control Warranty Statement

ARROW ENGINE COMPANY U.S. EPA-CERTIFIED LSI KP-SERIES CONTINUOUS-DUTY LIMITED WARRANTY

CONTINUOUS-DUTY DEFINITION: The highest load and speed which can be applied, subject to Arrow Engine Company's ratings in effect at time of sale.

I. TERMS OF EXPRESS LIMITED WARRANTY

Arrow Engine Company warrants that it will repair or replace, at its election and expense, any part of an engine, or product (hereinafter referred to as "Products") manufactured by Arrow Engine Company, which proves to have had a defect in material or workmanship. There are no other warranties express or implied.

Arrow Engine Company (Arrow) warrants that your U.S. EPA-certified Large Spark-Ignited (LSI) engine, including the emissions control system, meets the following conditions:

1. The engine is designed, built, and equipped so that it conforms with the U.S. EPA emissions requirements for nonroad constant-speed mobile and stationary engines at the time of sale to you, the ultimate purchaser.
2. Your engine is free from defects in materials and workmanship that may keep it from meeting the U.S. EPA requirements for nonroad constant-speed mobile and stationary engines.

II. TERM LIMITATIONS OF EXPRESS LIMITED WARRANTY

Manufacturer's Warranty Coverage

The warranty period begins on the date the engine or equipment is placed into service. Operating hours will be determined by the engine control module's (ECM) internal hour meter.

Base Warranty Period

The engine's base warranty period is:

1. 2,500 hours or one year, whichever comes first, after the initial new Products start-up date; or
2. 18 months after the original shipment date of the covered Products by Arrow Engine Company.

Standard Emissions-related Components

Three (3) years or 2,500 hours for Large Spark-Ignition (LSI) engines, whichever comes first, for the components listed under the standard 2,500 hour/3-year warranty.

High-Cost Emissions-related Components

Five (5) years or 3,500 hours, whichever comes first, for the components listed under the Extended 3,500 hours/5 years warranty.

III. ARROW ENGINE COMPANY'S RESPONSIBILITIES UNDER THE EXPRESS LIMITED WARRANTY

Arrow Engine Company shall be responsible for:

A. The repair or replacement, at Arrow Engine Company's election of covered defective parts and all reasonable labor required (at Arrow Engine Company's specified labor rates and repair times) regarding a warranted failure during the express limited warranty and term. All such labor shall be provided by Arrow Engine Company's authorized contractor or distributor.

B. Reasonable and necessary travel (total mileage not to exceed 300 miles) and documented expenses incurred by Arrow Engine Company's authorized contractor or distributor, at its sole discretion.

C. Replacement of lubricating oil, coolant, filter elements, or other normal maintenance items for the products that are contaminated and/or damaged as a direct result of a warranted failure.

NOTWITHSTANDING THE FOREGOING, ARROW ENGINE COMPANY SHALL NOT BE RESPONSIBLE FOR ADDITIONAL OR INCIDENTAL LABOR OR OTHER COSTS ASSOCIATED WITH WARRANTY CLAIMS.

IV. OWNER/DISTRIBUTOR'S RESPONSIBILITIES UNDER THE EXPRESS LIMITED WARRANTY

Owner shall be responsible for:

A. As the certified LSI engine owner, you are responsible for the performance of the required maintenance listed in your Operations Manual. Arrow recommends that you retain all receipts covering maintenance of your certified engine, but Arrow cannot deny warranty solely for the lack of receipts or for failure to ensure the performance of all scheduled maintenance.

B. As the certified LSI engine owner, you should be aware that Arrow may deny your warranty coverage if your certified engine or a part has failed due to abuse, accidents, neglect, misuse, improper service or maintenance, wrong or contaminated fuel, use of any starting aid, improper cooling concentration or unapproved modifications.

C. Arrow engines are designed to operate on commercial-grade LPG and pipeline-quality natural gas. Arrow engines can also operate on nonpipeline (wellhead) gas with a methane content of at least 45% by volume AND an energy content of 700-1,600 Btu per SCF. Use of any other fuels may result in your engine package no longer operating in compliance with EPA emissions requirements and may void your warranty.

D. You are responsible for initiating the warranty process. Arrow suggests that you present your certified LSI engine to an Arrow Authorized Dealer or OEM as soon as any problem exists. The warranty repairs should be completed by the Dealer or OEM as expeditiously as possible. You may also contact Arrow Engine Company toll-free at (800) 331-3662 or email info@arrowengine.com to receive information about how to make a warranty claim and how to make arrangements for authorized repairs.

E. The operation and maintenance of the Products within the guidelines established by Arrow Engine Company.

F. Making the Products available to Arrow Engine Company's authorized contractors or distributors for any warranty repair, during normal business hours.

G. All additional costs incurred for premium or overtime labor, should owner request that repairs be made on a premium overtime schedule.

H. All costs incurred as the result of removal or reinstallation of the Products may be required to affect any warranted repair.

I. All administrative costs and expenses resulting from a warranted failure.

J. Any costs of transportation, towing, repair facilities, or associated costs.

K. Loss of revenue and loss of/or damage to real and/or personal property.

L. Compliance with all local, state and federal laws.

M. Warranted repairs not to exceed 50% of the product (Engine) replacement cost without prior approval from Arrow Engine Company. Replacement cost equates to distributor net price from Arrow Engine Company at time of sale.

V. EMISSIONS-RELATED COMPONENT LISTS

Components covered until first scheduled maintenance interval:

Spark Plugs

Components covered under the Standard 2,500 hour/3-year warranty:

- CAM Sensor
- EFR Pressure Sensor
- Engine Coolant Temperature (ECT) Sensor
- Ignition Coil (each)
- Manifold Absolute Pressure/Intake Air Temp (TMAP) Sensor
- Positive Crankcase Ventilation (PCV) Valve
- Pre-Catalyst Wide-range Oxygen Sensor
- Post-Catalyst Switching Oxygen Sensor
- Intake Manifold
- Exhaust Manifold

Components covered under the Extended 3,500 hour/5-year warranty:

- Catalyst
- Wiring Harness
- EFR Valve Assembly
- Electronic Throttle
- Engine Control Module

VI. LIMITATION OF ARROW ENGINE COMPANY'S OBLIGATIONS

The obligations of Arrow Engine Company under this express limited warranty shall be waived and voided, and Arrow Engine Company shall not, thereafter, be responsible for the following:

A. Any failure resulting from owner or operator abuse or neglect, including but not by way of limitation, any operation, use, installation, application, or maintenance practice not in accordance with guidelines or specifications established by Arrow Engine Company; or

B. Any failure resulting from unauthorized modifications or repairs of the Products or;

C. Any failure resulting from overload, overspeed, overheating, accident, improper storage; or

D. Failure of owner to promptly provide notice of a claimed defect—all warranty claims must be authorized, documented, and submitted within 30 days of the failure date while under the warranty period; or

E. Failure of Products for which Arrow Engine Company did not receive properly completed start-up reports; or

F. Repairs of a covered failure performed with nongenuine Arrow Engine Company parts; or

G. Repairs of a covered failure performed by nonauthorized contractors or distributors; or

H. Failure to make Products available to Arrow Engine Company or its authorized representatives, or

I. Failure to supply documents such as drawing and specifications relating to the specific application of the Products.

VII. APPLICABILITY AND EXPIRATION

The warranties set out above are extended to all owners in the original chain of distribution. The warranties and obligations of Arrow Engine Company shall expire and be of no further effect upon the dates of expiration of the applicable warranty periods.

The foregoing sets forth Arrow Engine Company's only obligations and owners exclusive remedy for breach of warranty, whether such claims are based on breach of contract, tort (including negligence and strict liability), or other theories, and the foregoing is expressly in lieu of other warranties whatsoever expressed, implied, and statutory, including without limitation, the IMPLIED WARRANTIES OF MERCHANTABILITY AND FITNESS.

Notwithstanding the preceding, in no event shall Arrow Engine Company be liable for any direct, special, incidental or consequential damages (whether denominated in contract, tort, strict liability, negligence or other theories) arising out of this Agreement or the use of any Products provided under this Agreement.

Any action arising hereunder or relating hereto, whether based on breach of contract, tort (including negligence and strict liability), or other theories must be commenced within one year after the cause of action accrues or it shall be barred.

Preventive Maintenance Checklist

Engine S/N _____

PM Date _____

ECM Hours _____

PM Type _____ Hours
 _____ Months/Years

Symbols PM Complete
 Needs Attention

Maintenance Item	Comments
Check air filter restriction indicator (if equipped). Clean filter if red.	<input type="checkbox"/>
Check oil and coolant levels.	<input type="checkbox"/>
Check belts for tension and condition.	<input type="checkbox"/>
Check battery.	<input type="checkbox"/>
Check fuel hoses and fittings for gas leakage.	<input type="checkbox"/>
Inspect/drain volume tank/separator.	<input type="checkbox"/>
Clean/inspect/replace air filter element.	<input type="checkbox"/>
Check hoses.	<input type="checkbox"/>
Inspect/clean the PCV system.	<input type="checkbox"/>
Check/adjust/replace spark plugs (gap 0.025-inch).	<input type="checkbox"/>
Change oil and oil filter.	<input type="checkbox"/>
Check/adjust valve lash.	<input type="checkbox"/>
Clean oil cooler (if equipped).	<input type="checkbox"/>
Check antifreeze concentration.	<input type="checkbox"/>
Inspect/replace fuel filter.	<input type="checkbox"/>
Inspect NG fuel regulator (8-16 in H ₂ O at EFR inlet).	<input type="checkbox"/>
Inspect LPG primary vaporizer/regulator (8-16 in H ₂ O AT EFR inlet).	<input type="checkbox"/>
Inspect fuel lock-off valve(s).	<input type="checkbox"/>
Replace oxygen sensor.	<input type="checkbox"/>
Replace coolant.	<input type="checkbox"/>

Notes:

Preventive Maintenance Checklist

Engine S/N _____

PM Date _____

ECM Hours _____

PM Type _____ Hours
 _____ Months/Years

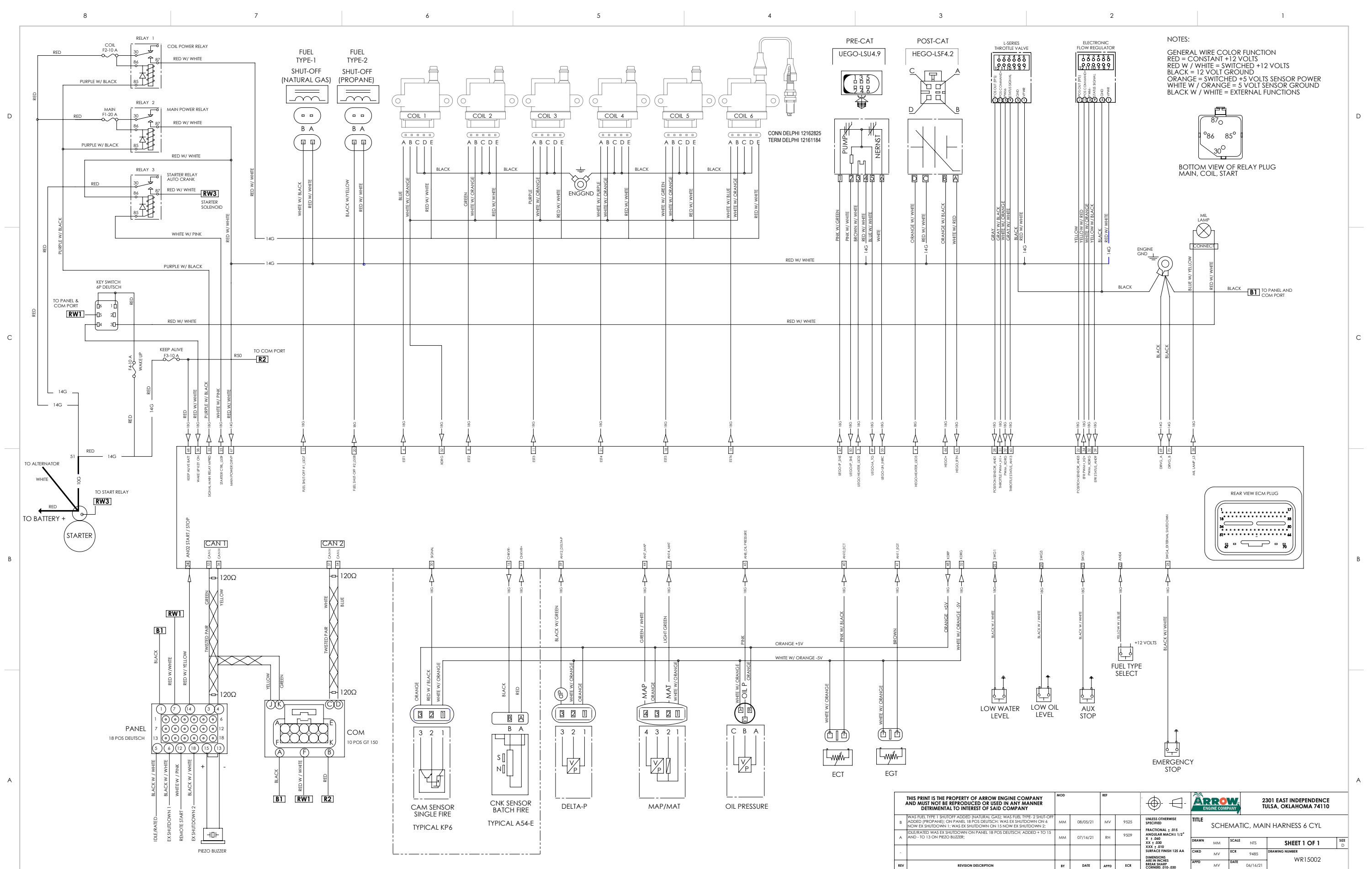
Symbols PM Complete
 Needs Attention

Maintenance Item	Comments
Check air filter restriction indicator (if equipped). Clean filter if red.	<input type="checkbox"/>
Check oil and coolant levels.	<input type="checkbox"/>
Check belts for tension and condition.	<input type="checkbox"/>
Check battery.	<input type="checkbox"/>
Check fuel hoses and fittings for gas leakage.	<input type="checkbox"/>
Inspect/drain volume tank/separator.	<input type="checkbox"/>
Clean/inspect/replace air filter element.	<input type="checkbox"/>
Check hoses.	<input type="checkbox"/>
Inspect/clean the PCV system.	<input type="checkbox"/>
Check/adjust/replace spark plugs (gap 0.025-inch).	<input type="checkbox"/>
Change oil and oil filter.	<input type="checkbox"/>
Check/adjust valve lash.	<input type="checkbox"/>
Clean oil cooler (if equipped).	<input type="checkbox"/>
Check antifreeze concentration.	<input type="checkbox"/>
Inspect/replace fuel filter.	<input type="checkbox"/>
Inspect NG fuel regulator (8-16 in H ₂ O at EFR inlet).	<input type="checkbox"/>
Inspect LPG primary vaporizer/regulator (8-16 in H ₂ O AT EFR inlet).	<input type="checkbox"/>
Inspect fuel lock-off valve(s).	<input type="checkbox"/>
Replace oxygen sensor.	<input type="checkbox"/>
Replace coolant.	<input type="checkbox"/>

Notes:

Maintenance Log

PM Interval (Hours)	PM Date	ECM Hours	PM Comments	Performed By (Initials)
750				
1,500				
2,250				
3,000				
3,750				
4,500				
5,250				
6,000				
6,750				
7500				
8,250				
9,000				



**ENGINE / WIRE HARNESS
 PART NUMBER WR15002**

<p>THIS PRINT IS THE PROPERTY OF ARROW ENGINE COMPANY AND MUST NOT BE REPRODUCED OR USED IN ANY MANNER DETRIMENTAL TO INTEREST OF SAID COMPANY</p>				MOD	REF		<p>2301 EAST INDEPENDENCE TULSA, OKLAHOMA 74110</p>		
B	<p>WAS FUEL TYPE 1 SHUTOFF ADDED (NATURAL GAS); WAS FUEL TYPE 2 SHUTOFF ADDED (PROPANE); ON PANEL 18 POS DEUTSCH: WAS EX SHUTDOWN ON 4 NOW EX SHUTDOWN 1; WAS EX SHUTDOWN ON 15 NOW EX SHUTDOWN 2; ISOLATED WAS EX SHUTDOWN ON PANEL 18 POS DEUTSCH; ADDED + TO 15 AND - TO 13 ON PIEZO BUZZER;</p>	MM	08/05/21	MV	9525		<p>UNLESS OTHERWISE SPECIFIED FRACTIONAL = .015 ANGULAR = MACH'S 1/2" X 1.500 X 2.500 XXX = .810 SURFACE FINISH 125 AA DIMENSIONS ARE IN INCHES REAR SHARP CORNERS 010-030</p>	<p>TITLE SCHEMATIC, MAIN HARNESS 6 CYL</p>	
A		MM	07/16/21	RH	9509		<p>SCALE NTS</p>	<p>SHEET 1 OF 1</p>	<p>SIZE D</p>
REV	REVISION DESCRIPTION	BY	DATE	APPD	ECR		<p>DRAWN MM</p>	<p>DATE 06/16/21</p>	<p>DRAWING NUMBER WR15002</p>

THIS PAGE INTENTIONALLY LEFT BLANK

THIS PAGE INTENTIONALLY LEFT BLANK

THIS PAGE INTENTIONALLY LEFT BLANK

ENGINES

A-SERIES	A32	A42	A54 A54E	A62 A62 Turbo A62 Genset
C-SERIES	C-46	C-66	C-96	C-106
KP-SERIES	KP3 KP3TA	KP4 KP4TA	KP6 KP6TA	KP8 KP8TA
VRD-SERIES	VRD30	VRD40	VRD60	VRD100

COMPRESSION PRODUCTS

Compressor Frames VRC-2 VRS-2 VRS-4	CNG Compressor Frames and Packages VRC-CNG	Vapor Recovery Units VRU-1 VRU-2	Gas Lift Packages Electric HP Gas Engine (VR, A-Series, CAT)	Custom Compression Packages
--	---	---	---	-----------------------------------

GAS PRODUCTS

Coalescers

REPLACEMENT PARTS

Waukesha	145G/F817	140G/F554	F18	H24	WAK/1197
-----------------	-----------	-----------	-----	-----	----------

