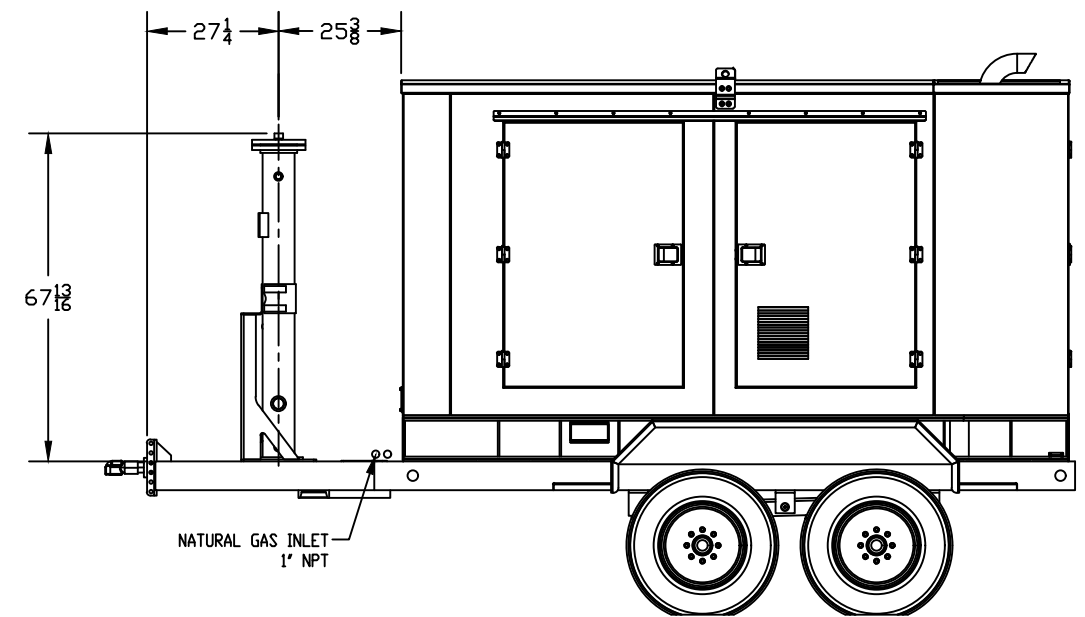
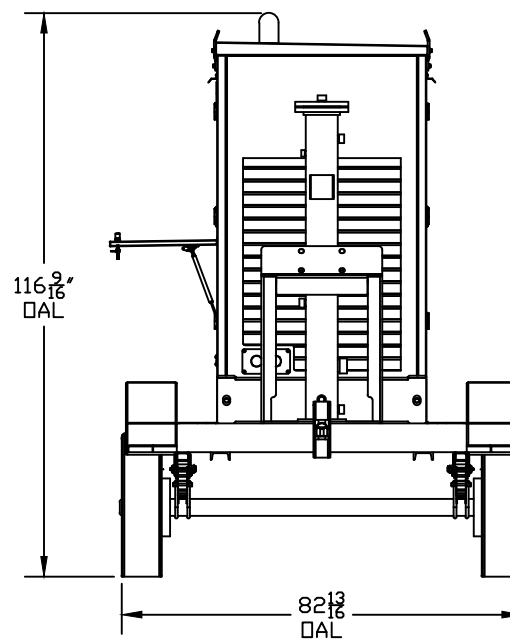
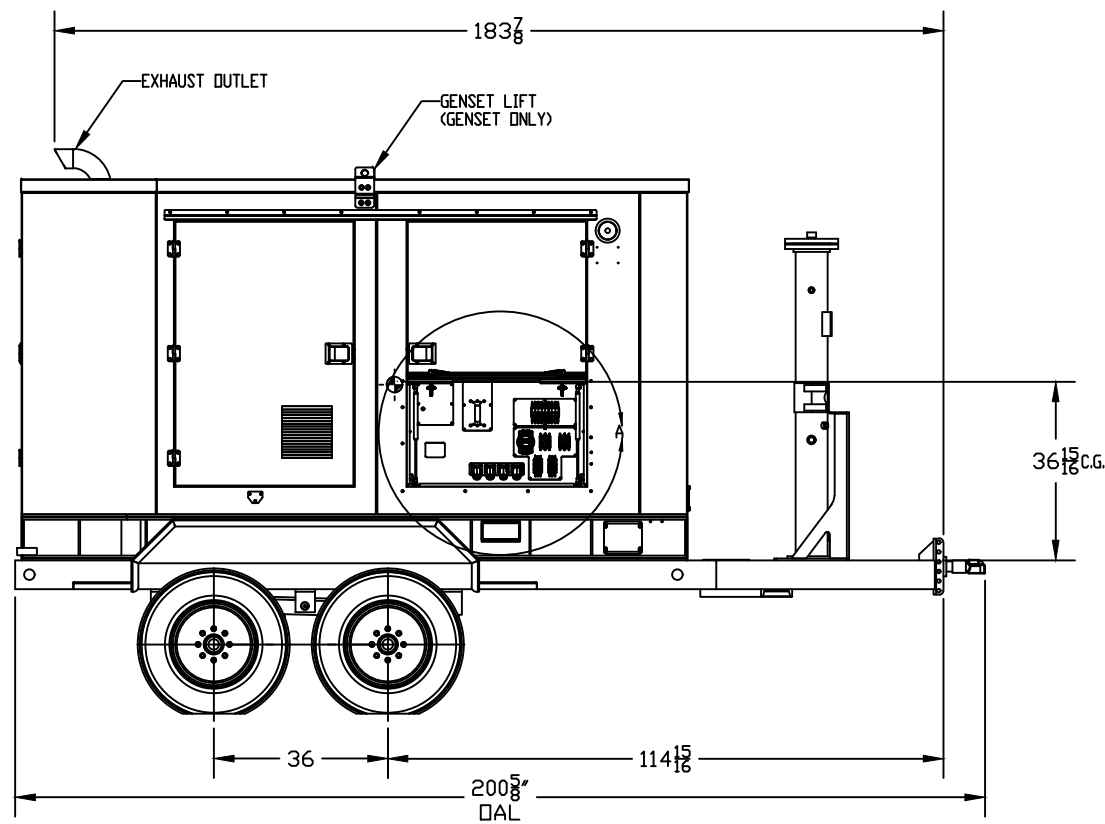
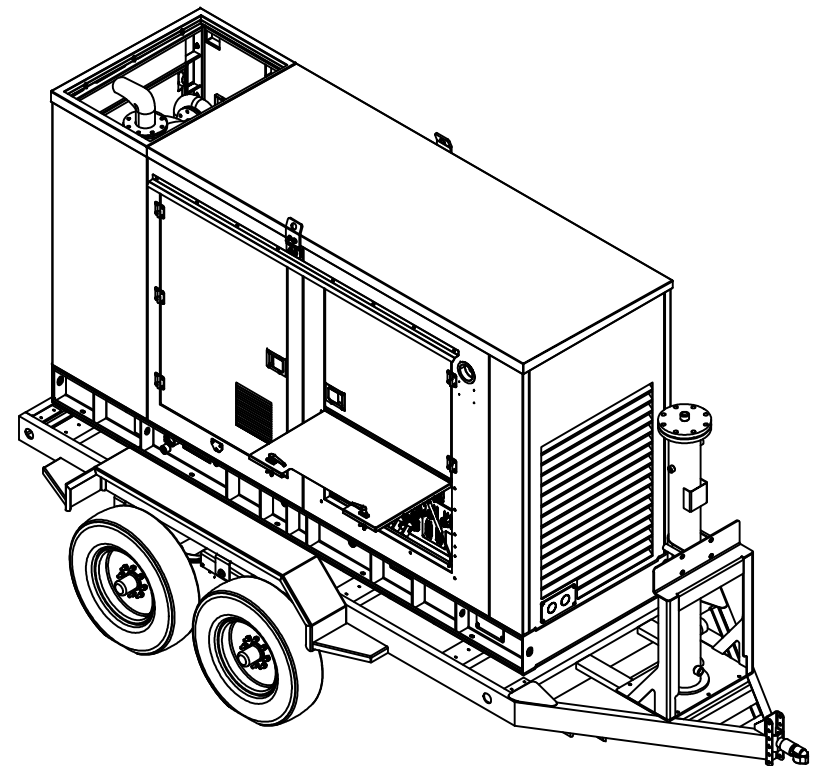


DETAIL A
SCALE 1 : 10



- NOTES:
- TOTAL WEIGHT = 6980 LBS
 - ENGINE: ARROW GKP6NA
 - ALT RPM: 1800
 - MODEL: MP-NG70
 - SERVICE RATING: PRIME
 - INS CLASS: H
 - RATED KW: 56/1PH, 56/3PH
 - POWER FACTOR: 1.0/1PH, 0.8/3PH
 - RATED KVA: 56/1PH, 70/3PH
 - 480/277V/84.2A, 208/120V/194.3A, 240/120V/233.3A

THIS PRINT IS THE PROPERTY OF ARROW ENGINE COMPANY AND MUST NOT BE REPRODUCED OR USED IN ANY MANNER DETRIMENTAL TO INTEREST OF SAID COMPANY				REV	REF		2301 EAST INDEPENDENCE TULSA, OKLAHOMA 74110			
UNLESS OTHERWISE SPECIFIED: FRACTIONAL & .005 ANGULAR ROUNDED TO 1/8" 1X & .005 30X & .005 SURFACE FINISH 125 AA DIMENSIONS ARE IN INCHES SEE FIG. 200-200							TITLE GKP6 GENSET TRAILER LAYOUT			
REV	REVISION DESCRIPTION	BY	DATE	APP	ECR	DRAWN	SCALE	NTS	SHEET 1 OF 1	SIZE B
						CHKD	EDR		DRAWING NUMBER GKP6 GENSET TRAILER	